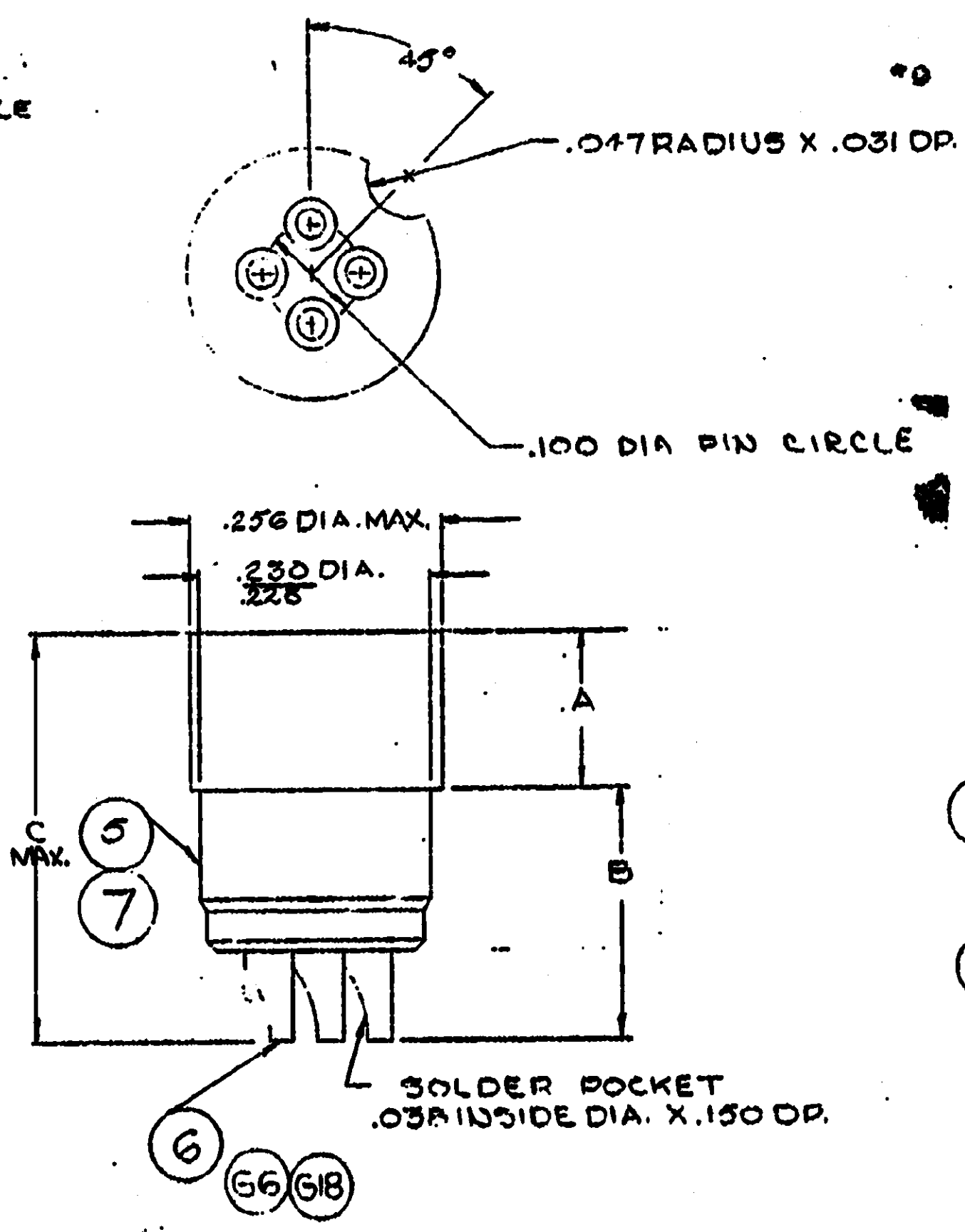
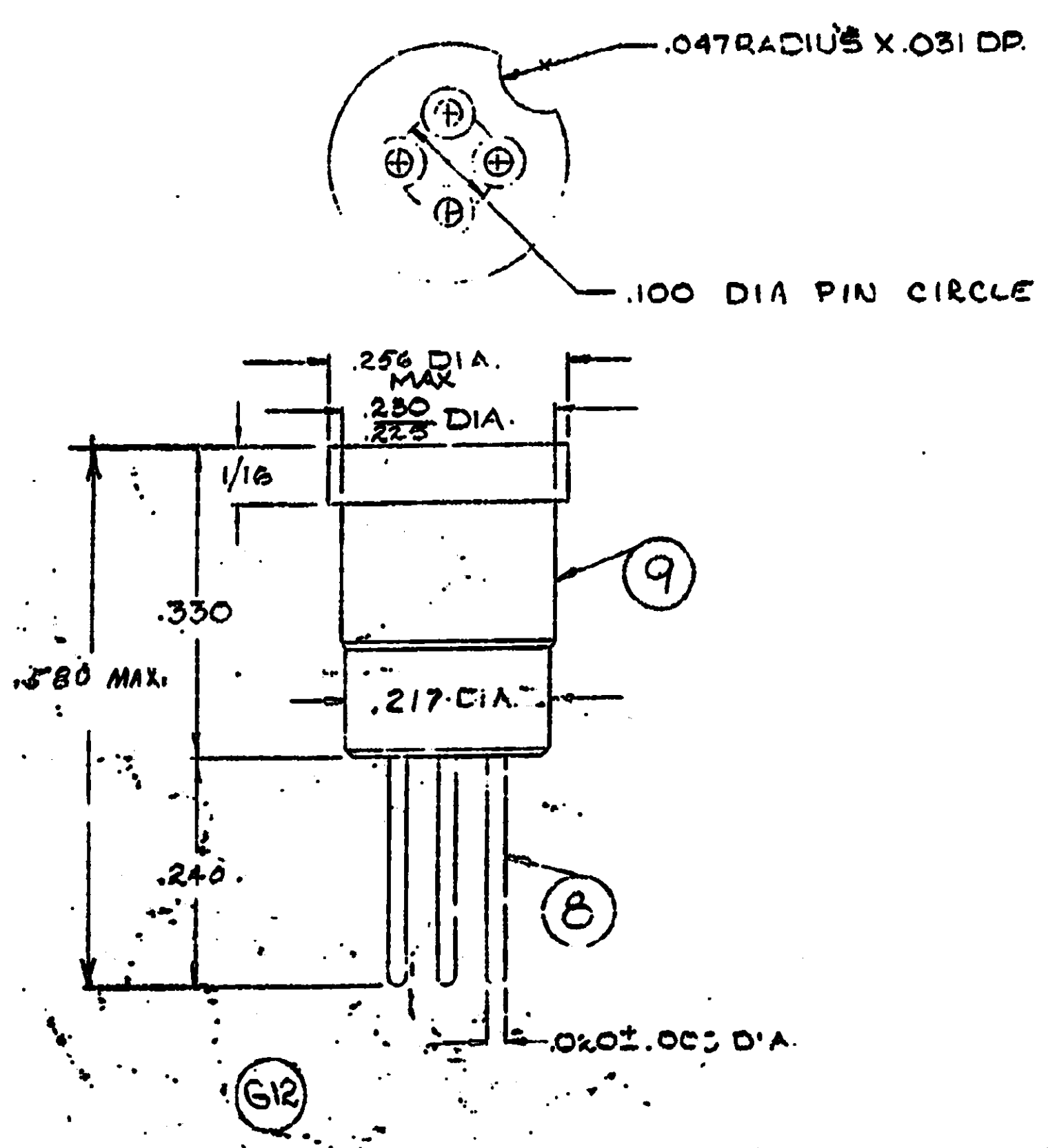
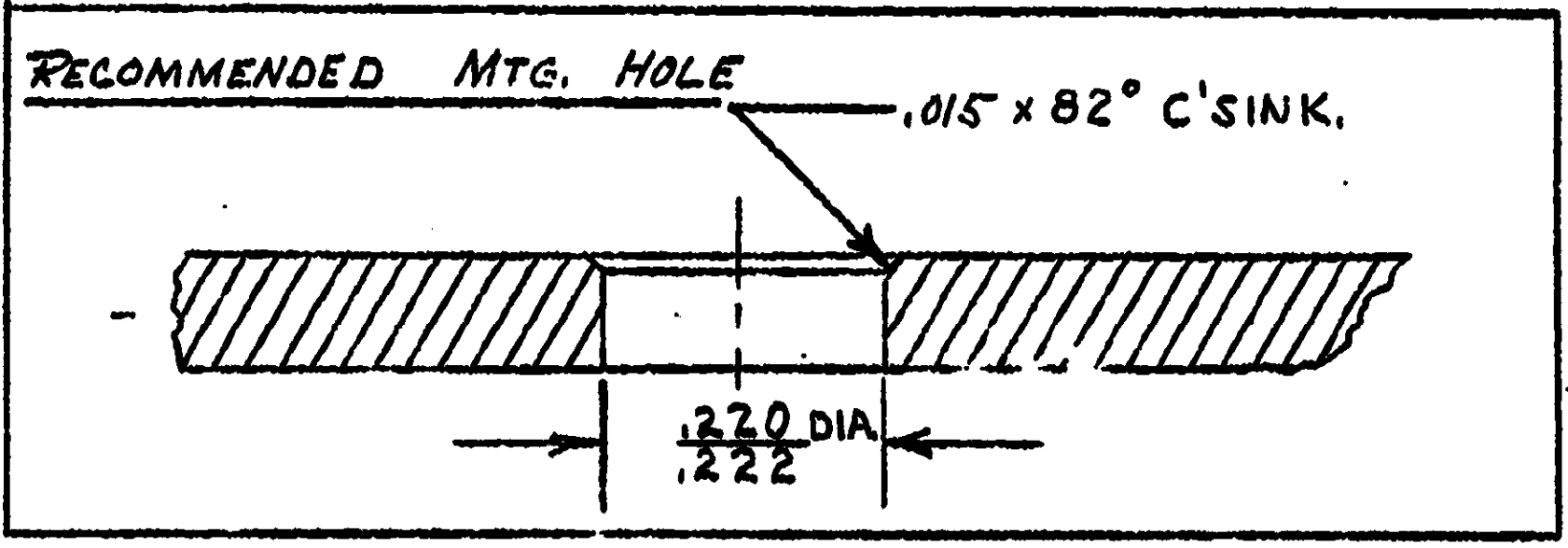
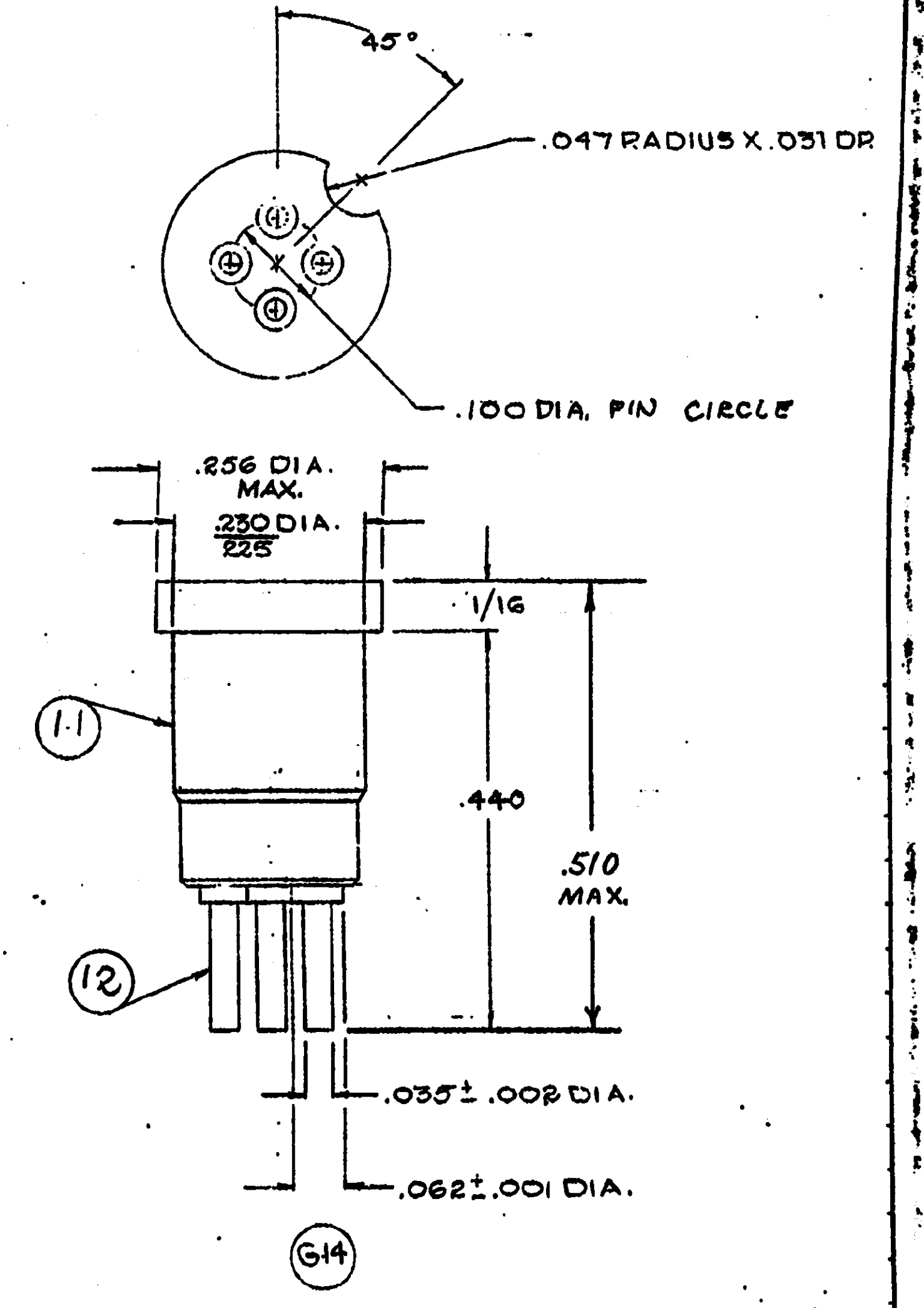
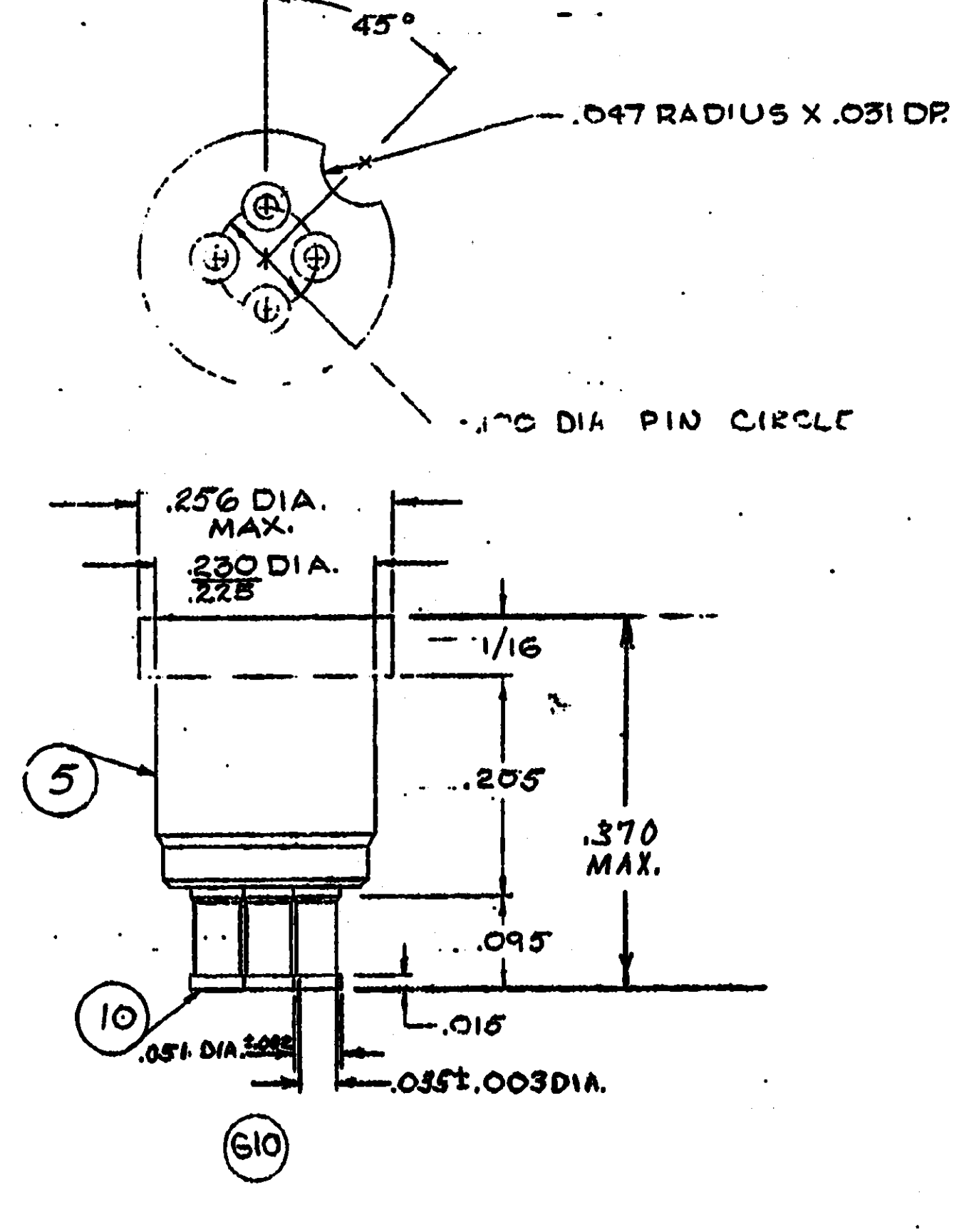
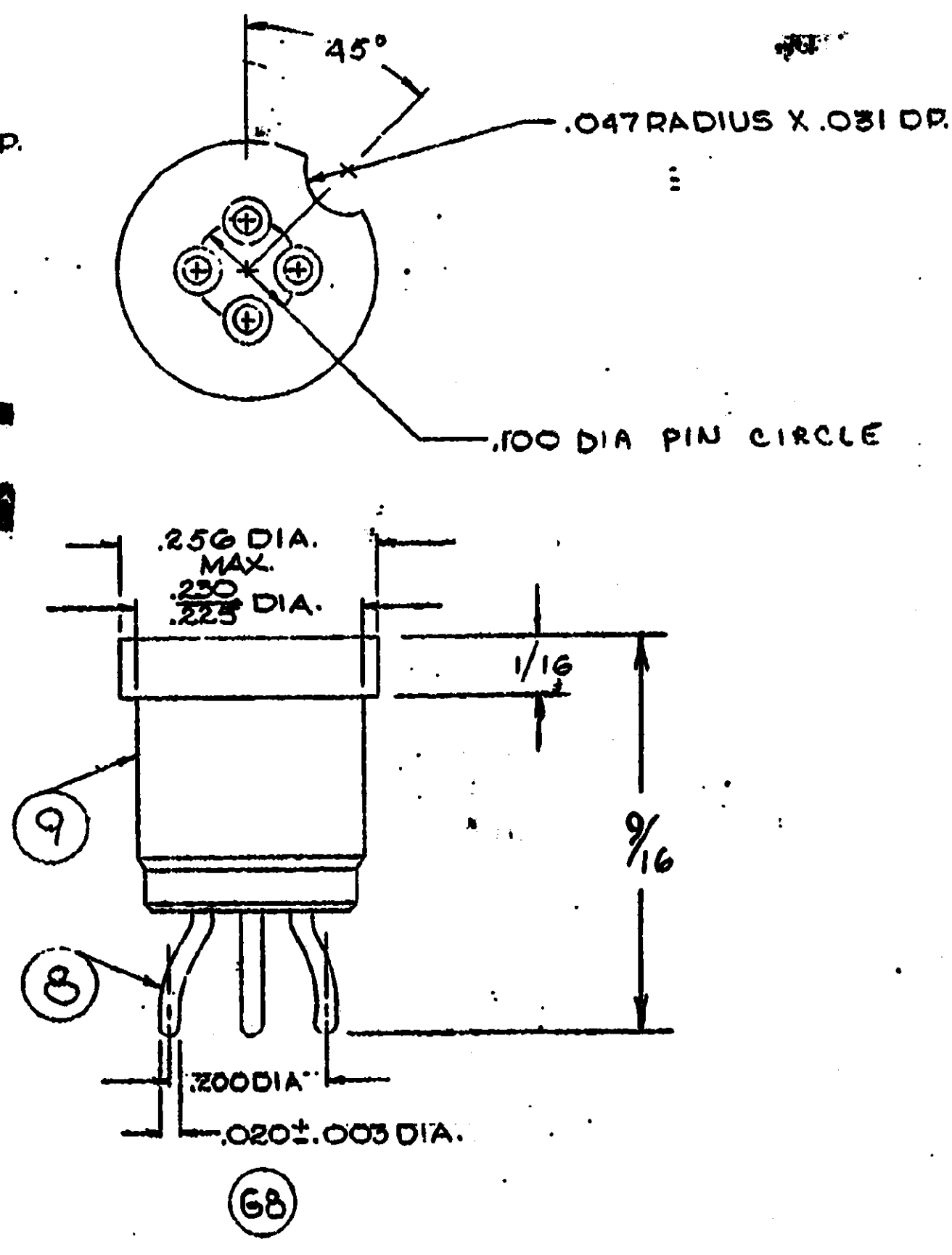


PART NUMBER	A	B	C MAX.
8060-164	.150	.103	.310
8060-1619	.100	.295	.495
8060-1622	.100	.295	.495



PART NUMBER	A	B	C MAX.
8060-166	.080	.346	.411
8060-1618	.168	.238	.411



NOTES:
 1. PART NUMBERS WITH THE SUFFIX 'R' WILL HAVE THE SOCKET TERMINALS RECESSED .010 ± .005.

QTY	DESCRIPTION	DWG. SIZE	DRAWING NUMBER	PART NO.
14	CONTACT ASSY.			14
	INSULATOR			13
4	CONTACT ASSY.	B	8060-2P2	12
1	INSULATOR	D	8060-2P5	11
4	CONTACT ASSY.	B	SLST-1CG1-1	10
1	INSULATOR	D	8060-2P11	9
4	CONTACT ASSY.	B	SLST-1AG10-1	8
4	INSULATOR	B	8060-2P3	7
4	CONTACT ASSY.	B	SLST-1BG1-1	6
1	INSULATOR	D	8060-2P6	5
4	CONTACT ASSY.	B	SLST-1AG11-1	4
1	INSULATOR	D	8060-2P14	3
4	CONTACT ASSY.	B	SLST-1AG4-1	2
1	INSULATOR	D	8060-2P9	1

REV. NO. 1
 INITIAL RELEASE
 DATE 7-9-66
 BY J.W.W.
 APPROVED BY J.W.W.
 2
 CENTER TESTY
 DATE 7-14-66
 BY J.W.W.
 APPROVED BY J.W.W.
 3
 1784 & WAS ESTABLISHED
 FROM 4 MAX. (SEE DRAWING)
 1784 & WAS ESTABLISHED
 FROM 4 MAX. (SEE DRAWING)
 1784 & WAS ESTABLISHED
 FROM 4 MAX. (SEE DRAWING)
 4
 R.F.S. 2-23-72
 APPROVED BY G14
 ECO. 421-72
 NWS 7-14-72
 APPROVED BY G14
 5
 REVISION
 ECO. 128-95
 L.S. 2-6-75
 APPROVED BY G14

SCALE: 6 X 1
 DR. J. WALKER DATE 6-9-66
 APPROVED BY J.W.W. DATE 7-9-66
 NEXT ASSY. SHEET - 2 OF 4

MATERIAL:
 FINISH:

NAME:
 ASSEMBLY, SOCKET

DWG. NO. 8060-1KXR
 8060-1

ATTLEBORO, MASS.

X-ON Electronics

Largest Supplier of Electrical and Electronic Components

Click to view similar products for IC & Component Sockets category:

Click to view products by TE Connectivity manufacturer:

Other Similar products are found below :

[0066-3-17-15-30-14-02-0](#) [670](#) [672](#) [673](#) [694-13-640-00-672-000](#) [712-93-120-41-001000](#) [714-93-104-31-018000](#) [8059-4G1-LF](#) [807-22-001-10-001101](#) [807-22-001-10-006101](#) [807-22-001-30-011101](#) [807-22-001-30-012101](#) [807-22-001-30-013101](#) [807-22-001-30-014101](#) [8-1437531-4](#) [8150-6P10](#) [833-93-034-10-001000](#) [851-41-006-10-001000](#) [851-43-008-20-001000](#) [851-43-014-20-001000](#) [851-93-006-20-001000](#) [851-93-010-20-001000](#) [853-43-020-10-001000](#) [86.010.0053.0](#) [116-43-308-41-007000](#) [PX-68LCC](#) [121-13-318-41-001000](#) [121-13-320-41-001000](#) [121-13-308-41-001000](#) [123-43-314-41-801000](#) [123-43-420-41-001000](#) [122-13-316-41-001000](#) [123-13-624-41-001000](#) [123-43-306-41-001000](#) [12-3513-11](#) [123-91-320-41-001000](#) [126-43-310-41-002000](#) [AKSUN 37V-T](#) [1437503-9](#) [1437504-1](#) [146-44-308-41-013000](#) [146-43-308-41-012000](#) [160-10-308-00-001000](#) [160-40-320-00-001000](#) [214-99-306-01-670800](#) [232-1270-02-0602](#) [2-382761-4](#) [2-5331677-4](#) [2-640360-3](#) [2801-2-00-50-00-00-07-0](#)