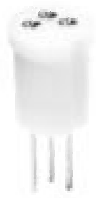


REVISIONS

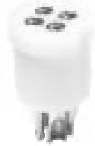
P	LTR	DESCRIPTION	DATE	DWN	APVD
	A	RELEASED	08MAY2017	R.Z	C.W

Transistor Sockets

8058 & 8060 Series



8060-1G11



8060-1G6

FEATURES:

The 8058/8060 family of teflon sockets, with beryllium copper contacts, offers many features which allow them to be utilized in the most severe applications. Low profile for close board spacing, closed sleeve for 100% prevention of solder and flux wicking. A choice of many terminal styles for greater packaging selection and ease of use. Many of these sockets meet or exceed MIL-S-83502/2 and MIL-S-83502/5.

- Two-piece socket terminal - four fingered inner contact and machined outer sleeve
- Low profile for tight space applications
- Sockets accept 0,41/.016 to 0,51/.020 diameter leads
- Printed circuit, solder pocket and turret style terminations available
- Closed entry-design no distortion or damage to contact with misaligned or oversized leads

MATERIAL SPECIFICATIONS:

InsulatorTeflon
 SleeveBrass
 Contact PlatingBeryllium copper
 PlatingContact gold, sleeve gold

Note: Before ordering, see Cross Reference in Section 15 for equivalent Tyco Electronics Part Number.

PERFORMANCE SPECIFICATIONS:

MECHANICAL

VibrationPassed MIL-STD -1344, Method 2005, 15 G's, 10 to 2,000 cycles
 Mechanical ShockPassed MIL-STD -1344, Method 2004, 10 G's, 1 to 9,000 cycles
 Durability50 Insertions and withdrawals, MIL-S-83502/ 1, Sec. 4.7.12
 Insertion Force4.0 lb. max., .020 dia. +.0002 probe
 Withdrawal Force14 Grams (1/2 oz.) min. .016 dia. +.0002 probe
 SolderabilityMIL-STD- 202, Method 208


ELECTRICAL

Bulk Contact
 Resistance20 Milliohms max. per MIL-S-83502/1
 Current Rating3 Amp DC, contact rating
 Operating Voltage500 VDC @ atmospheric pressure
 Dielectric Withstanding
 Voltage600 VAC per MIL-STD -1344 , Method 3001
 Insulation Resistance2 x 10⁶ Megohms, MIL-STD -1344, Method 3003
 Capacitance2 pF Max., MIL-STD -202, Method 305

ENVIRONMENTAL

Operating Temperature-55°C to +125°C
 Corrosive Atmosphere30 milliohms, ammonium polysulfide 10 ppm per MIL-S-83502/1 Sec. 4.7.17
 Moisture Resistance30 Milliohms max., MIL-STD -202, Method 106
 Thermal ShockMIL-STD -1344, Method 1003

THIS DRAWING IS UNPUBLISHED. ALL RIGHTS RESERVED. © COPYRIGHT - By -

DIMENSIONS: INCHES	DWN	08MAY2017	MATERIAL	-	FINISH	-
	CHK	08MAY2017	 TE Connectivity			
TOLERANCES UNLESS OTHERWISE SPECIFIED:						
0 PLC ± -						
1 PLC ± -			NAME 8058&8060 SERIES TRANSISTOR SOCKETS			
2 PLC ± -						
3 PLC ± -			SIZE	CAGE CODE	DRAWING NO	RESTRICTED TO
4 PLC ± -			A4	00779	Ⓒ= 1437504-4	-
ANGLES ± -			CUSTOMER DRAWING			
	WEIGHT	-	SCALE	NTS	SHEET	1 OF 4
						REV A

REVISIONS

P	LTR	DESCRIPTION	DATE	DWN	APVD
		SEE SHEET 1			

Transistor Sockets

8058 & 8060 Series


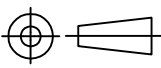
PART NUMBER / STANDARD CONFIGURATIONS

Part Number	Figure	No. of Contacts	Pin Circle	A	B	C	D	E*	F Max.	Terminal Style	Mounting Hole	Transistor Lead Length	Polarization Figure		
M8058-45G1	1	3	.200	.200	.265	.373	.410	.160	.406	Turret	B	.156/.218	N		
M8058-1G29	3	3	.200	.200	.270	.373	.410	.140	.351	Solder Pocket					
8058-1G29	3	3	.200	.200	.270	.373	.410	.140	.351	Solder Pocket					
8058-1G23	4	3	.200	.200	.270	.373	.410	.302	.544	Printed Circuit					
M8058-1G23	4	3	.200	.200	.270	.373	.410	.302	N/A	Printed Circuit	—	.125/.155	P		
8058-1G59	6	3	.200	.200	.165	N/A	.410	.125	N/A	Printed Circuit					
8058-38G6	6	3	.200	.200	.165	N/A	.410	.315	N/A	Printed Circuit	B	.156/.218	N		
8058-1G62	7	3	.200	.200	.270	.373	.410	.500	.703	Wirewrap					
M8058-45G2	1	4	.200	.200	.265	.373	.410	N/A	.406	Turret					
M8058-1G30	3	4	.200	.200	.265	.373	.410	.140	.377	Solder Pocket					
8058-1G30	3	4	.200	.200	.270	.373	.410	.140	.347	Solder Pocket	—	.125/.155	N		
M8058-1G24	4	4	.200	.200	.270	.373	.410	.347	.550	Printed Circuit					
8058-1G24	4	4	.200	.200	.270	.373	.410	.317	.550	Printed Circuit	B	.156/.218	N		
8058-1G63	7	4	.200	.200	.270	.373	.410	.500	.703	Wirewrap					
8058-1G58	2	5	.200	.200	.270	.373	.410	.094	.331	Turret					
8058-1G61	3	5	.200	.200	.270	.373	.410	.140	.336	Solder Pocket					
M8058-1G39	2	6 at 45°	.200	.200	.270	.373	.410	.094	.300	Turret	B	.156/.218	N		
8058-1G43	3	6 at 60°	.200	.200	.270	.373	.410	.140	.370	Solder Pocket					
M8058-1G18	3	6 at 45°	.200	.200	.270	.373	.410	.140	.370	Solder Pocket	—			.125/.155	P
8058-1G42	4	6 at 60°	.200	.200	.270	.373	.410	.317	.561	Printed Circuit					
M8058-1G33	4	6 at 45°	.200	.200	.270	.373	.410	.317	.561	Printed Circuit	B	.156/.218	N		
8058-1G48	6	6 at 60°	.200	.200	.165	N/A	.410	.125	N/A	Printed Circuit					
8058-1G52	6	6 at 45°	.200	.200	.165	N/A	.410	.125	N/A	Printed Circuit	—			.125/.155	P
M8058-1G37	2	8	.200	.200	.270	.373	.410	.094	.336	Turret					
M8058-1G19	3	8	.200	.200	.270	.373	.410	.140	.377	Solder Pocket	B	.156/.218	N		
8058-1G19	3	8	.200	.200	.270	.373	.410	.140	.377	Solder Pocket					
8058-1G57	3	8	.200	.200	.270	.373	.410	.140	.315	Solder Pocket	—			.125/.155	P
M8058-1G32	4	8	.200	.200	.270	.373	.410	.317	.550	Printed Circuit					
8058-1G32	4	8	.200	.200	.270	.373	.410	.317	.550	Printed Circuit	B	.156/.218	N		
8058-39G1	5	8	.200	.330	.375	.373	.410	.187	.505	Printed Circuit					
8058-39G3	5	8	.200	.380	.375	.373	.410	.150	.470	Printed Circuit	—			.125/.155	P
8058-39G5	5	8	.200	.380	.375	.373	.410	.150	.470	Printed Circuit					
8058-1G49	6	8	.200	.200	.165	N/A	.410	.125	N/A	Printed Circuit	B	.156/.218	N		
8058-1G47	2	8	.230	.230	.270	.373	.410	.094	.300	Turret					
8058-1G46	3	8	.230	.230	.270	.373	.410	.138	.346	Solder Pocket	—			.125/.165	P
8058-1G45	4	8	.230	.230	.270	.373	.410	.302	.534	Printed Circuit					
8058-39G4	5	8	.230	.380	.375	.373	.410	.155	.467	Printed Circuit	B	.156/.218	N		
8058-39G6	5	8	.230	.380	.375	.373	.410	.150	.467	Printed Circuit					
8058-1G50	6	8	.230	.230	.165	N/A	.410	.125	N/A	Printed Circuit	—			.125/.155	P
M8058-1G38	2	10	.230	.230	.270	.373	.410	.094	.331	Turret					
M8058-1G22	3	10	.230	.230	.270	.373	.410	.141	.377	Solder Pocket	B	.156/.218	N		
M8058-1G31	4	10	.230	.230	.270	.373	.410	.317	.561	Printed Circuit					
8058-24G1	5	10	.230	.380	.375	.373	.410	.187	.505	Printed Circuit	—			.156/.218	N
8058-1G34	6	10	.230	.230	.165	N/A	.410	.125	N/A	Printed Circuit					
M8058-1G91	6	10	.230	.230	.165	N/A	.410	.125	N/A	Printed Circuit	—	.125/.155	P		
8058-1G55	5	12	.250	.380	.375	.373	.410	.155	.467	Printed Circuit					
8058-1G51	6	12	.280	.280	.165	N/A	.410	.125	N/A	Printed Circuit	—	.125/.155	P		

* Dimension E ± .031 (0,79)

Note: Before ordering, see Cross Reference in Section 15 for equivalent Tyco Electronics Part Number.

THIS DRAWING IS UNPUBLISHED. ALL RIGHTS RESERVED. © COPYRIGHT - By -

DIMENSIONS: INCHES	DWN	RAMBO ZHANG	08MAY2017	MATERIAL	—	FINISH	—		
	CHK	SIMON LI	08MAY2017	 TE Connectivity					
TOLERANCES UNLESS OTHERWISE SPECIFIED:	APVD	COREL WANG	08MAY2017						
	PRODUCT SPEC	—						NAME	8058&8060 SERIES TRANSISTOR SOCKETS
0 PLC ± — 1 PLC ± — 2 PLC ± — 3 PLC ± — 4 PLC ± — ANGLES ± —	APPLICATION SPEC	—		SIZE	A4	CAGE CODE	00779		
	WEIGHT	—		DRAWING NO	C= 1437504-4		RESTRICTED TO	—	
	CUSTOMER DRAWING				SCALE	NTS	SHEET	2 OF 4	REV

REVISIONS

P	LTR	DESCRIPTION	DATE	DWN	APVD
		SEE SHEET 1			

Transistor Sockets

8058 & 8060 Series

PART NUMBER / STANDARD CONFIGURATIONS


Part Number	Figure	Number of Contacts	Pin Circle	A	B	C	D	E*	F Max.	Terminal Style	Mtg. Hole Figure	Transistor Lead Length	Polarization Figure
8060-1G5	3	3	.100	.100	.268	.227	.255	.146	.350	Solder Pocket	A	.156/.218	N
8060-1G17	3	3	.100	.100	.320	.227	.255	.084	.427				
8060-1G9	2	3	.100	.100	.268	.227	.255	.094	.372	Turret			
8060-1G11	4	3	.100	.100	.330	.227	.255	.240	.580	Printed Circuit	-	.125/.155	P
8060-1G7	5	3	.100	.200	.410	.227	.255	.170	.616				
8060-1G3	6	3	.100	.150	.195	N/A	.255	.103	N/A				
8060-1G13	6	3	.100	.100	.195	N/A	.255	.103	N/A	Solder Pocket	A	.156/.218	N
8060-1G6	3	4	.100	.100	.265	.227	.255	.146	.350				
8060-1G10	2	4	.100	.100	.265	.227	.255	.094	.310	Turret			
8060-1G12	4	4	.100	.100	.330	.227	.255	.240	.533	Printed Circuit	-	.125/.155	P
8060-1G8	5	4	.100	.200	.390	.227	.255	.187	.530				
8060-1G4	6	4	.100	.150	.195	N/A	.255	.103	N/A				
8060-1G22	6	4	.100	.100	.195	N/A	.255	.295	N/A				

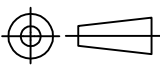
* Dimension E ± .031 (0,79)

All part number prefixed with (M) meet MIL-83502/1 or MIL-83502/6.

Note: Before ordering, see Cross Reference in Section 15 for equivalent Tyco Electronics Part Number.

THIS DRAWING IS UNPUBLISHED. ALL RIGHTS RESERVED. © COPYRIGHT - By -

DIMENSIONS: INCHES	DWN RAMBO ZHANG 08MAY2017	MATERIAL	-	FINISH	-
	CHK SIMON LI 08MAY2017	 TE Connectivity			
TOLERANCES UNLESS OTHERWISE SPECIFIED:	APVD COREL WANG 08MAY2017				
0 PLC ± -	PRODUCT SPEC	SIZE	CAGE CODE	DRAWING NO	RESTRICTED TO
1 PLC ± -	-	A4	00779	Ⓒ= 1437504-4	-
2 PLC ± -	APPLICATION SPEC	CUSTOMER DRAWING			
3 PLC ± -	-	SCALE	NTS	SHEET	3 OF 4
4 PLC ± -	ANGLES ± -	REV		A	



REVISIONS

P	LTR	DESCRIPTION	DATE	DWN	APVD
		SEE SHEET 1			

Transistor Sockets

8058 & 8060 Series

Figure A
Recommended Chassis Cutout
for all 8060 Series panel
mount applications

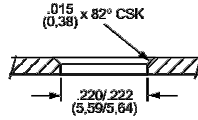


Figure B
Recommended Chassis Cutout
for all 8058 Series panel
mount applications

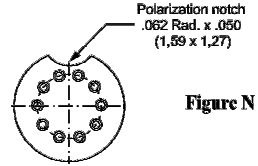
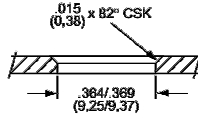


Figure N

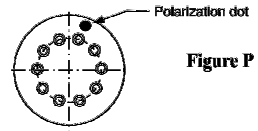


Figure P

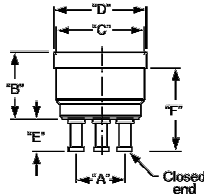


Figure 1

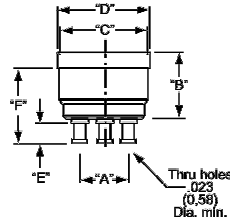


Figure 2

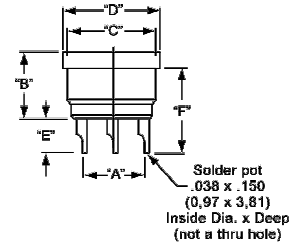


Figure 3

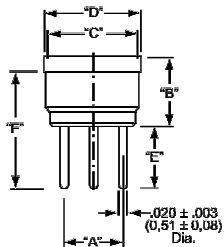


Figure 4

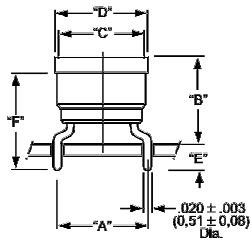


Figure 5

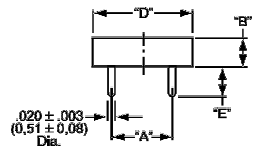


Figure 6

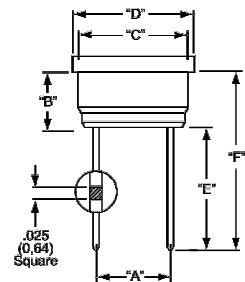


Figure 7

Note: Before ordering, see Cross Reference in Section 15 for equivalent Tyco Electronics Part Number.

THIS DRAWING IS UNPUBLISHED. ALL RIGHTS RESERVED. © COPYRIGHT - By -

DIMENSIONS: INCHES	DWN	08MAY2017	MATERIAL	-	FINISH	-
	CHK	08MAY2017	TE TE Connectivity			
TOLERANCES UNLESS OTHERWISE SPECIFIED:	APVD	08MAY2017				
	0 PLC ± -	PRODUCT SPEC	SIZE			A4
1 PLC ± -	APPLICATION SPEC	CAGE CODE			00779	
2 PLC ± -	WEIGHT	DRAWING NO			1437504-4	
3 PLC ± -	CUSTOMER DRAWING	RESTRICTED TO			-	
4 PLC ± -		SCALE	NTS	SHEET	4 OF 4	
ANGLES ± -				REV	A	

X-ON Electronics

Largest Supplier of Electrical and Electronic Components

Click to view similar products for [IC & Component Sockets](#) category:

Click to view products by [TE CONNECTIVITY](#) manufacturer:

Other Similar products are found below :

[714-43-102-31-012000](#) [0066-3-17-15-30-14-02-0](#) [0134-0-15-15-32-27-04-0](#) [614-DG5](#) [6527-0-00-15-00-00-03-0](#) [670](#) [672](#) [673](#) [712-93-120-41-001000](#) [714-93-104-31-018000](#) [8059-4G1-LF](#) [807-22-001-10-001101](#) [807-22-001-10-003101](#) [807-22-001-10-004101](#) [807-22-001-10-006101](#) [807-22-001-30-011101](#) [807-22-001-30-012101](#) [807-22-001-30-013101](#) [807-22-001-30-014101](#) [8-1437531-4](#) [8150-6P10](#) [833-93-034-10-001000](#) [835-43-014-10-001000](#) [851-41-006-10-001000](#) [851-43-008-20-001000](#) [851-43-014-20-001000](#) [851-93-006-20-001000](#) [851-93-010-20-001000](#) [852-10-026-10-001000](#) [853-43-020-10-001000](#) [86.010.0053.0](#) [116-43-306-41-003000](#) [116-43-308-41-007000](#) [116-87-308-41-007101](#) [PX-68LCC](#) [PX-84LCC](#) [121-13-318-41-001000](#) [121-13-320-41-001000](#) [121-13-308-41-001000](#) [123-43-314-41-801000](#) [123-43-420-41-001000](#) [123-43-636-41-001000](#) [123-87-320-41-001101](#) [122-13-316-41-001000](#) [123-13-624-41-001000](#) [123-43-306-41-001000](#) [123-43-322-41-801000](#) [123-43-428-41-001000](#) [123-43-624-41-001000](#) [12-3513-11](#)