

REVISIONS

P	LTR	DESCRIPTION	DATE	DWN	APVD
	D	PRODUCTION ISSUE	01FEB2019	PNT	MT

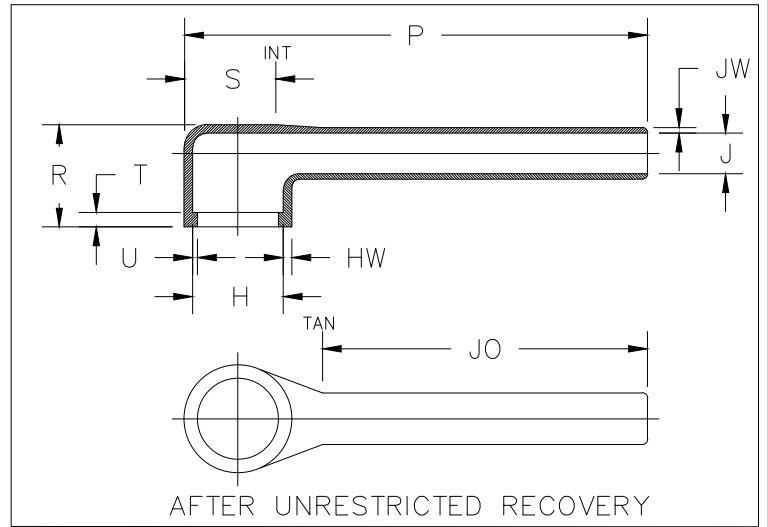
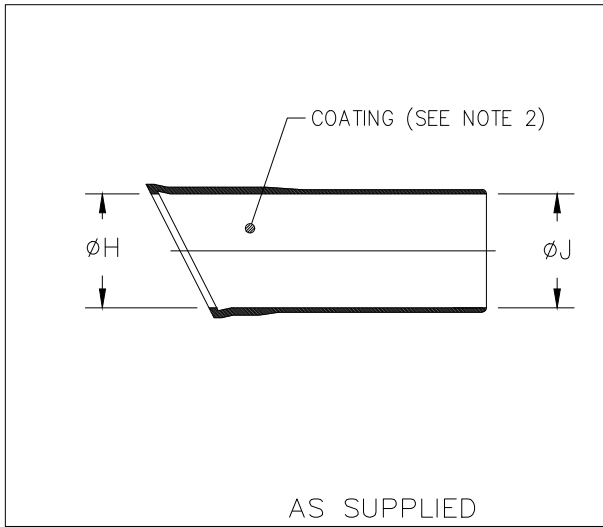


TABLE OF DIMENSIONS

PART NUMBER	H		J			P	R	S	T	U	JO	HW	JW
	Min	Max	Min	Min	Max	±10%	Ref	Ref	Ref	Ref	Ref	±20%	±20%
	a	b	-3,-4, -25 a	-12,-100 a	b	b	b	b	b	b	b	b	b
222D211-X-22	22.4 [.88]	11.4 [.45]	22.4 [.88]	14.0 [.55]	6.4 [.25]	69.9 [2.75]	18.5 [.73]	11.9 [.47]	3.05 [.12]	1.02 [.04]	52.3 [2.06]	1.52 [.06]	1.14 [.045]
222D221-X-22	25.7 [1.01]	15.0 [.59]	25.7 [1.01]	16.0 [.63]	7.4 [.29]	78.7 [3.10]	19.8 [.78]	15.2 [.60]	3.05 [.12]	1.02 [.04]	53.8 [2.12]	1.52 [.06]	1.14 [.045]
222D232-X-22	29.5 [1.16]	18.8 [.74]	29.5 [1.16]	18.3 [.72]	8.4 [.33]	88.9 [3.50]	20.8 [.82]	19.1 [.75]	3.05 [.12]	1.02 [.04]	56.9 [2.24]	1.78 [.07]	1.14 [.045]
222D242-X-22	34.0 [1.34]	22.9 [.90]	34.0 [1.34]	21.3 [.84]	9.7 [.38]	101.6 [4.00]	21.8 [.86]	22.9 [.90]	3.05 [.12]	1.02 [.04]	62.0 [2.44]	1.78 [.07]	1.14 [.045]
222D253-X-22	37.3 [1.47]	29.5 [1.16]	37.3 [1.47]	23.1 [.91]	10.4 [.41]	108.0 [4.25]	24.4 [.96]	29.2 [1.15]	3.05 [.12]	1.65 [.065]	66.5 [2.62]	2.03 [.08]	1.14 [.045]
222D263-X-22	43.7 [1.72]	34.0 [1.34]	43.7 [1.72]	27.2 [1.07]	12.2 [.48]	120.7 [4.75]	27.4 [1.08]	33.5 [1.32]	3.05 [.12]	1.65 [.065]	76.2 [3.00]	2.03 [.08]	1.14 [.045]
222D274-X-22	50.0 [1.97]	41.1 [1.62]	50.0 [1.97]	31.5 [1.24]	14.2 [.56]	132.1 [5.20]	29.5 [1.16]	40.4 [1.59]	3.05 [.12]	1.65 [.065]	80.8 [3.18]	2.29 [.09]	1.40 [.005]
222D285-X-22	62.7 [2.47]	47.0 [1.85]	62.7 [2.47]	39.1 [1.54]	17.5 [.69]	133.4 [5.25]	33.3 [1.31]	46.0 [1.81]	3.05 [.12]	2.03 [.08]	74.2 [2.92]	2.54 [.10]	1.40 [.005]
222D296-X-22	69.3 [2.73]	59.7 [2.35]	69.3 [2.73]	43.2 [1.70]	19.6 [.77]	137.2 [5.40]	35.1 [1.38]	57.9 [2.28]	3.05 [.12]	2.03 [.08]	61.0 [2.40]	2.54 [.10]	1.40 [.005]
222D299-X-22	81.8 [3.22]	67.1 [2.64]	81.8 [3.22]	51.1 [2.01]	22.9 [.90]	139.7 [5.50]	44.5 [1.75]	64.8 [2.55]	3.05 [.12]	2.03 [.08]	53.8 [2.12]	2.54 [.10]	1.40 [.005]

RELEASED FOR PUBLICATION

ALL RIGHTS RESERVED.

COPYRIGHT - TE Connectivity Ltd.

THIS DRAWING IS UNPUBLISHED.

DIMENSIONS:  
mm [INCHES]

DWN 01FEB2019  
PRAVEEN N T

MATERIAL  
SEE SHEET 2

FINISH  
-

TOLERANCES UNLESS  
OTHERWISE SPECIFIED:

CHK 01FEB2019  
N NAGAR

APVD 01FEB2019  
M TAYLOR



TE Connectivity Ltd.

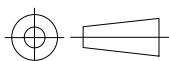
- 0 PLC ± -
- 1 PLC ± -
- 2 PLC ± -
- 3 PLC ± -
- 4 PLC ± -
- ANGLES ± -

PRODUCT SPEC  
-

NAME  
BOOT, 90 DEGREES, WITH LIP

APPLICATION SPEC  
-

SIZE CAGE CODE DRAWING NO RESTRICTED TO  
A4 00779 C-222D2XX-XX-22-0 -



WEIGHT

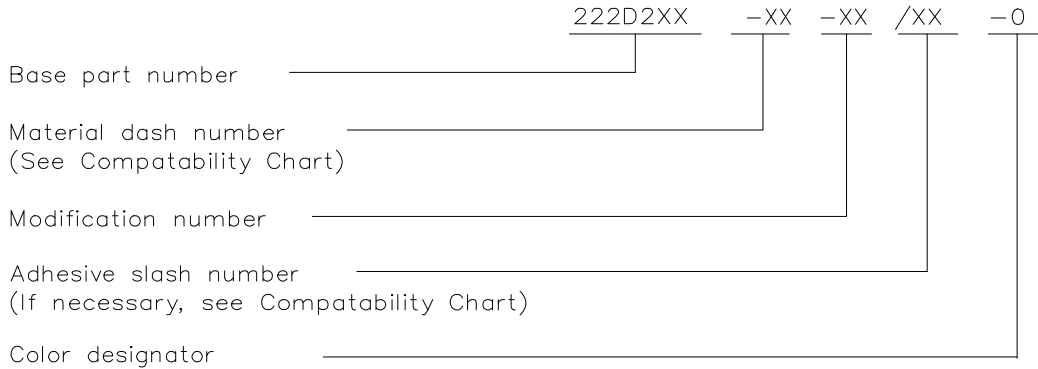
CUSTOMER DRAWING

SCALE DNS SHEET 1 of 2 REV D

REVISIONS					
P	LTR	DESCRIPTION	DATE	DWN	APVD
	-	SEE SHEET 1	-	-	-

COMPATIBILITY CHART				
MATERIAL DASH NO.	MATERIAL DESCRIPTION	RT SPEC	COATING SLASH NO.	COATING SPEC
-3	POLYOLEFIN, SEMI-RIGID	RT-301	/42;/86;/180	S1017;S1048;S1030
-4	POLYOLEFIN, FLEXIBLE	RT-1304	/42;/86;/180	S1017;S1048;S1030
-12	FLUROELASTOMER	RT-1312	N/A	N/A
-25	ELASTOMER, FLUID RESISTANT	RW-2070	/42;/86;/225	S1017;S1048;S1206
-100	POLYOLEFIN, SEMI-FLEXIBLE ZEROHAL	RW-2082	/86;/180	S1048;S1030

ORDERING INFORMATION



NOTES


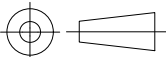
- Dimensions appearing in table are as follows:
  - a - As Supplied
  - b - After Unrestricted Recovery
- Coating is optional. As supplied dimensions appearing in table are for uncoated parts. When coating is added, entry diameters will be reduced by 1.5[.06] max.

RELEASED FOR PUBLICATION

ALL RIGHTS RESERVED.

© COPYRIGHT - TE Connectivity Ltd.

THIS DRAWING IS UNPUBLISHED.

DIMENSIONS: mm [INCHES]	DWN PRAVEEN N T	01FEB2019	MATERIAL SEE SHEET 2	FINISH -
	CHK N NAGAR	01FEB2019	 TE Connectivity Ltd.	
TOLERANCES UNLESS OTHERWISE SPECIFIED:	APVD M TAYLOR	01FEB2019		
0 PLC ± -	PRODUCT SPEC	NAME BOOT, 90 DEGREES, WITH LIP		
1 PLC ± -	-	-		
2 PLC ± -	APPLICATION SPEC	-		
3 PLC ± -	-	SIZE A4	CAGE CODE 00779	DRAWING NO G-222D2XX-XX-22-0
4 PLC ± -	-	RESTRICTED TO -		
ANGLES ± -	WEIGHT	CUSTOMER DRAWING		
		SCALE DNS	SHEET 2 OF 2	REV D

## X-ON Electronics

Largest Supplier of Electrical and Electronic Components

*Click to view similar products for [Cable Boots](#) category:*

*Click to view products by [TE Connectivity](#) manufacturer:*

Other Similar products are found below :

[618235-000](#) [622A014-3-0](#) [CX4132-000](#) [879515-000](#) [982033-2](#) [R280576000](#) [1300830729](#) [EN3BOOTLKIT](#) [MTPSRBCL-C](#) [1811481-1](#)  
[200W531-3-0](#) [202A121-386-0](#) [202A142-4-00/42-0](#) [202A163-4-0-CS5067](#) [202B221-13-0](#) [202B231-13-0](#) [202B563-25-07-0](#)  
[202C621710CS5361](#) [202D132-4-07/42-0](#) [202D221-4-0-CS5349](#) [202D221-4-26-0](#) [202D263-25-08-0](#) [202D263-4-22/42-0](#) [202D263-4-88-0](#)  
[202D921-2542-0](#) [202E336-71-0](#) [202F211-50-22-0-CS8474](#) [202F242-50-05-0](#) [202F242-51-04/164-0](#) [202K121-25-CS-1858-0](#) [202K121-25-](#)  
[CS-2062-0](#) [202K132-25-01/225-0CS8387](#) [202K153-3-0186-0](#) [202S132-25-UP-0](#) [203W301-3/42-0](#) [207W613-100/184-0-CS5657](#) [207W623-](#)  
[100-01/184-0](#) [207W634-100/184-0-CS5657](#) [207W656-100-01/184-0](#) [207W667-100-01/184-0](#) [207W667-100/184-0](#) [208A011-3-0](#) [208A021-3-](#)  
[0](#) [221A011-51164-0-CS7133](#) [222A121-2586](#) [222A152-342-0](#) [222A213-25-0-CS5613](#) [222D221-25-13/86-0](#) [222D232-4-61-0-CS5078](#)  
[222D253-100-22-0](#)