

THIS DRAWING IS UNPUBLISHED. RELEASED FOR PUBLICATION
 © COPYRIGHT - By - ALL RIGHTS RESERVED.

LOC		DIST		REVISIONS			
P	LTR	DESCRIPTION	DATE	DWN	APVD		
AD	00	B2	REVISED PER ECO-11-004917	11MAR11	RK	HMR	

SPECIFICATIONS:

MATERIALS-

INSULATOR: UL94V-0 (SEE TABLE FOR MATERIAL)
 CONTACT: BERYLLIUM COPPER (SEE TABLE FOR PLATING)

ELECTRICAL-

CONTACT RESISTANCE: GOLD - 15 MILLIOHMS, PER MIL-STD-12883
 TIN - 25 MILLIOHMS MAX
 CONTACT RATING: 10 AMPS DC
 DIELECTRIC WITHSTANDING VOLTAGE- 1500 VOLTS(RMS)

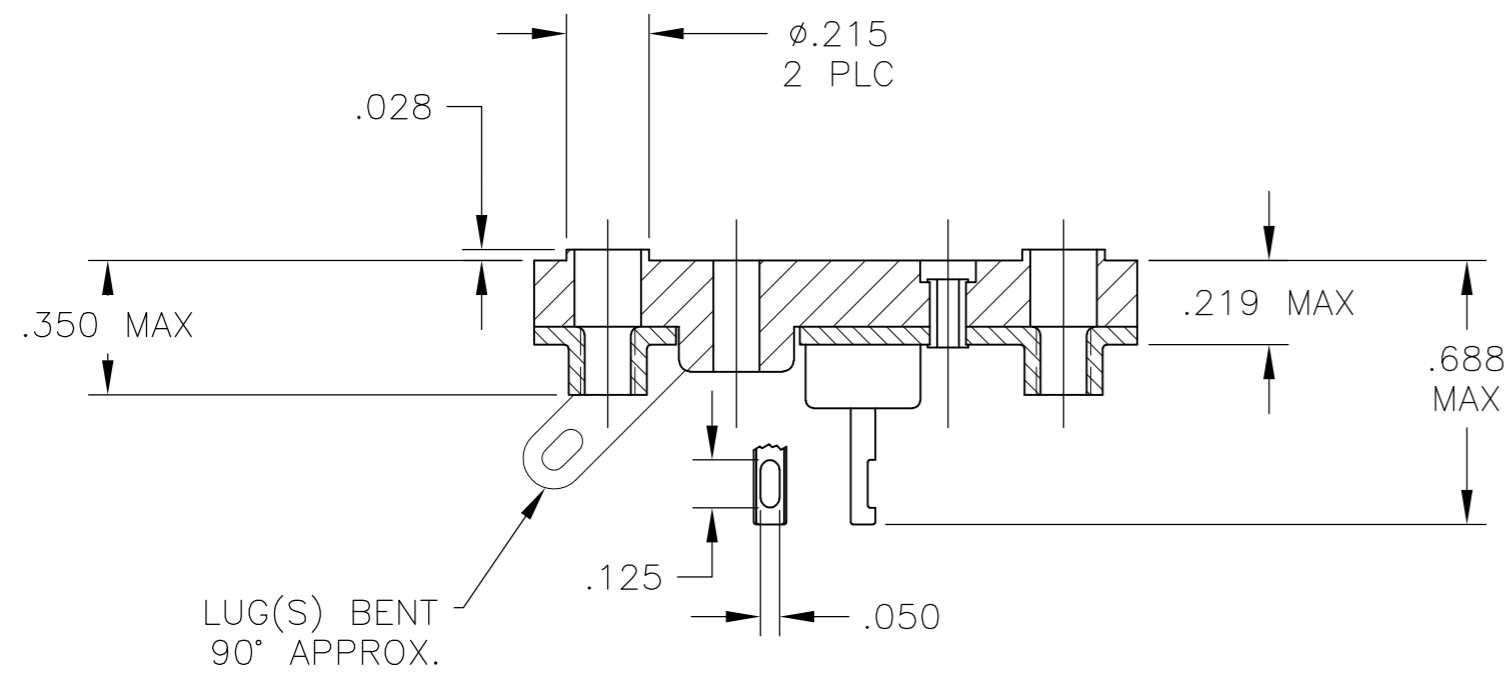
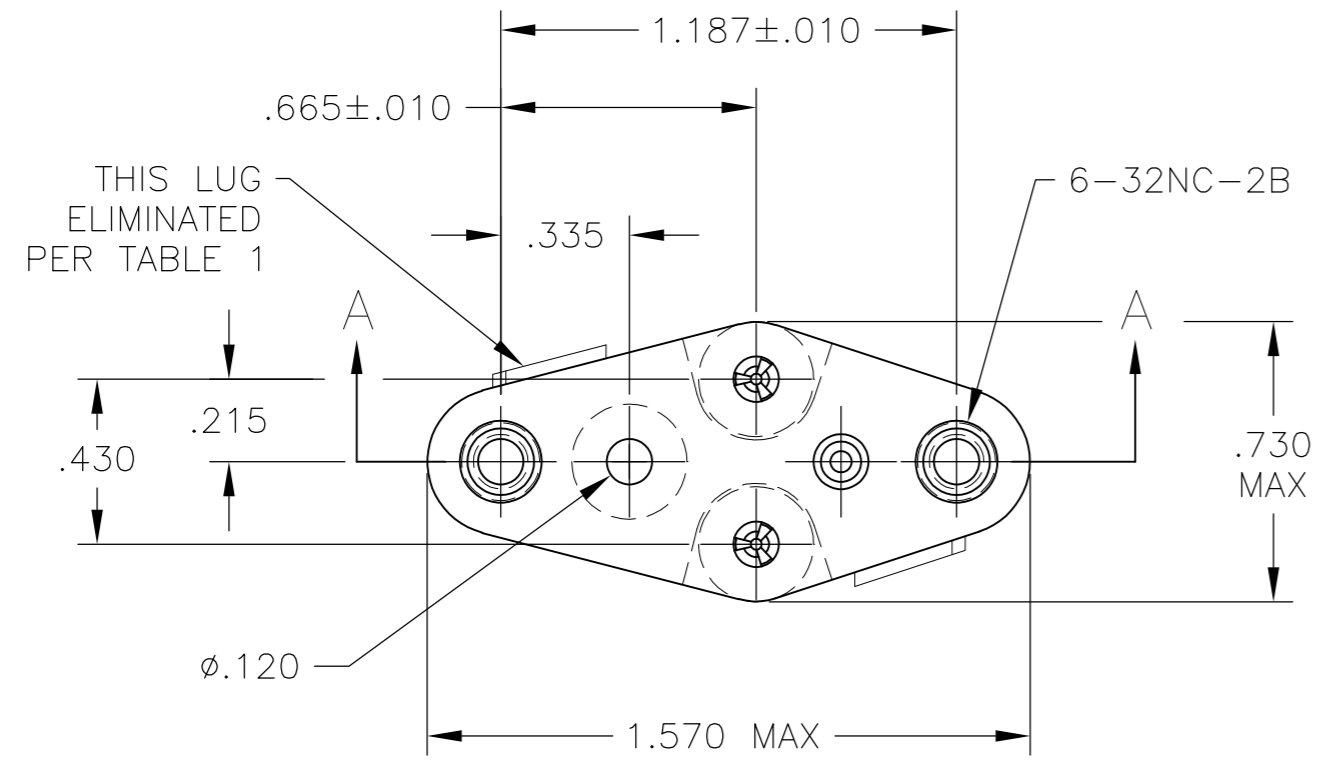
MECHANICAL-

OPERATIONAL TEMPERATURE: DAP -67F TO +257F
 (-55C TO +125C)

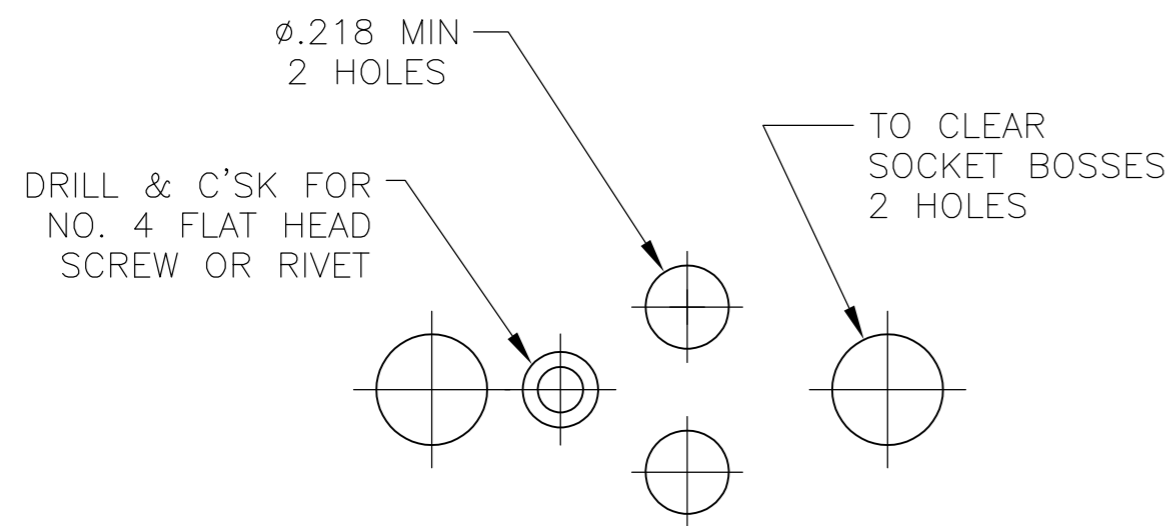
NOTES

1. INTERPRET DRAWING PER ASME Y14.5M-1994.
2. THIS ASSEMBLY IS INTENDED FOR USE WITH SEMI-CONDUCTORS PACKAGED WITHIN THE OUTLINE DIMENSIONS OF THE "TO-3".
3. LUG(S) IS AN INTERNAL PART OF SADDLE.
4. .000200 MIN THK TIN-LEAD PLATE OVER .000100 MIN THK COPPER PLATE.
5. .000030 MIN THK GOLD PLATE OVER .000050 MIN THK NICKEL PLATE.
6. .000500 MIN THK SILVER PLATE.
7. .000050 MIN THK GOLD PLATE OVER .000050 MIN THK NICKEL PLATE.
8. .000200 MIN THK MATTE TIN PLATE OVER .000100 MIN THK COPPER PLATE.

9. OBSOLETE PARTS: OBSOLETE CIS STREAMLINING PER D.RENAUD/D.SINISI



SECTION A-A



RECOMMENDED CHASSIS HOLE LAYOUT

1	.060	DIALLYL PHTHALATE-GREEN OR BLUE	NOTE 5	8080-1G39-LF	9-1437504-9
1	.060	DIALLYL PHTHALATE-GREEN OR BLUE	NOTE 6	8080-1G37-LF	9-1437504-8
1	.060	PHENOLIC-BLACK	NOTE 6	8080-1G36-LF	6-6437504-2
1	.060	DIALLYL PHTHALATE-GREEN OR BLUE	NOTE 8	8080-1G35-LF	9-1437504-7
2	.060	DIALLYL PHTHALATE-GREEN OR BLUE	NOTE 5	8080-1G34-LF	9-1437504-6
2	.060	PHENOLIC-BLACK	NOTE 5	8080-1G33-LF	9-1437504-5
2	.060	PHENOLIC-BLACK	NOTE 6	8080-1G32-LF	9-1437504-4
2	.060	DIALLYL PHTHALATE-GREEN OR BLUE	NOTE 8	8080-1G31-LF	9-1437504-3
1	.040	DIALLYL PHTHALATE-GREEN OR BLUE	NOTE 5	8080-1G25-LF	9-1437504-1
1	.040	DIALLYL PHTHALATE-GREEN OR BLUE	NOTE 8	8080-1G24-LF	9-1437504-0
1	.060	DIALLYL PHTHALATE-GREEN OR BLUE	NOTE 5	8080-1G39	4-1437504-9
1	.060	PHENOLIC-BLACK	NOTE 5	8080-1G38	-
1	.060	DIALLYL PHTHALATE-GREEN OR BLUE	NOTE 6	8080-1G37	4-1437504-8
1	.060	PHENOLIC-BLACK	NOTE 6	8080-1G36	6-1437504-2
1	.060	DIALLYL PHTHALATE-GREEN OR BLUE	NOTE 4	8080-1G35	4-1437504-7
2	.060	DIALLYL PHTHALATE-GREEN OR BLUE	NOTE 5	8080-1G34	4-1437504-6
2	.060	PHENOLIC-BLACK	NOTE 5	8080-1G33	4-1437504-5
2	.060	PHENOLIC-BLACK	NOTE 6	8080-1G32	4-1437504-4
2	.060	DIALLYL PHTHALATE-GREEN OR BLUE	NOTE 4	8080-1G31	4-1437504-3
1	.040	PHENOLIC-BLACK	NOTE 7	8080-1G30	-
1	.040	PHENOLIC-BLACK	NOTE 6	8080-1G29	-
2	.040	PHENOLIC-BLACK	NOTE 7	8080-1G28	-
2	.040	PHENOLIC-BLACK	NOTE 6	8080-1G27	-
1	.040	DIALLYL PHTHALATE-GREEN OR BLUE	NOTE 5	8080-1G25	4-1437504-1
1	.040	DIALLYL PHTHALATE-GREEN OR BLUE	NOTE 4	8080-1G24	4-1437504-0
2	.040	DIALLYL PHTHALATE-GREEN OR BLUE	NOTE 4	8080-1G23	-
LUG QTY (SEE NOTE 3)	LEAD DIA +.003/- .002	INSULATOR MATERIAL	CONTACT PLATING	AUGAT PT. NO.	PART NUMBER

OBSOLETE

THIS DRAWING IS A CONTROLLED DOCUMENT.

DWN R BROWN 11APR03	 TE Connectivity	NAME	RESTRICTED TO	
CHK K WRIGHT 11APR03				
APVD K WRIGHT 11APR03				
PRODUCT SPEC				
APPLICATION SPEC	SIZE	CAGE CODE	DRAWING NO	RESTRICTED TO
MATERIAL	WEIGHT	A2	00779	4-1437504-0
FINISH	CUSTOMER DRAWING	SCALE	SHEET	REV
		2:1	1 of 1	B2

X-ON Electronics

Largest Supplier of Electrical and Electronic Components

Click to view similar products for [IC & Component Sockets](#) category:

Click to view products by [TE Connectivity](#) manufacturer:

Other Similar products are found below :

[0066-3-17-15-30-14-02-0](#) [670](#) [672](#) [673](#) [694-13-640-00-672-000](#) [712-93-120-41-001000](#) [714-93-104-31-018000](#) [8059-4G1-LF](#) [807-22-001-10-001101](#) [807-22-001-10-006101](#) [807-22-001-30-011101](#) [807-22-001-30-012101](#) [807-22-001-30-013101](#) [807-22-001-30-014101](#) [8-1437531-4](#) [8150-6P10](#) [833-93-034-10-001000](#) [851-41-006-10-001000](#) [851-43-008-20-001000](#) [851-43-014-20-001000](#) [851-93-006-20-001000](#) [851-93-010-20-001000](#) [853-43-020-10-001000](#) [86.010.0053.0](#) [116-43-308-41-007000](#) [PX-68LCC](#) [121-13-318-41-001000](#) [121-13-320-41-001000](#) [121-13-308-41-001000](#) [123-43-314-41-801000](#) [123-43-420-41-001000](#) [123-87-320-41-001101](#) [122-13-316-41-001000](#) [123-13-624-41-001000](#) [123-43-306-41-001000](#) [12-3513-11](#) [123-91-320-41-001000](#) [126-43-310-41-002000](#) [AKSUN 37V-T](#) [1437503-9](#) [1437504-1](#) [146-44-308-41-013000](#) [APO-320-G-T](#) [146-43-308-41-012000](#) [160-10-308-00-001000](#) [160-40-320-00-001000](#) [214-99-306-01-670800](#) [232-1270-02-0602](#) [2-382761-4](#) [2-5331677-4](#)