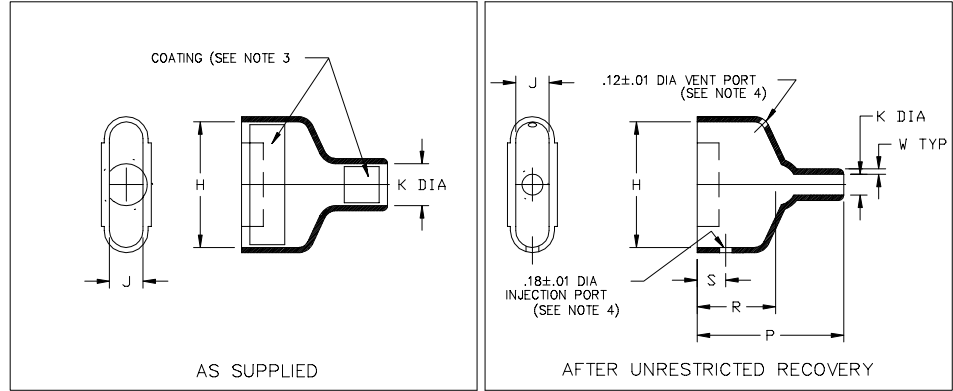


Thermofit[®] Molded Parts Specification Control Drawing

Part Number : 214A511 thru 552
Description : Boot, Rectangular, Straight Environmental, Subminiature

NOTES

- All dimensions are in $\frac{\text{inches}}{\text{[millimeters]}}$
- Dimensions appearing in table are as follows:
a - As Supplied
b - After Unrestricted Recovery
- Coating is optional. As supplied dimensions appearing in table are for uncoated parts. When coating is added, entry diameters will be reduced by .06 max.
- Molding ports are optional. When -00 modification number is specified molding ports will be located as shown.



| PART NUMBER | H | | J | | K | | P | R | S | W | This Boot Fits Cannon |
|-------------|----------------|----------------|---------------|---------------|---------------|---------------|----------------|----------------|---------------|---------------|-----------------------|
| | Min a | ±5% b | Min a | ±5% b | Min a | Max b | | | | | |
| 214A511 | .83 [21,1] | .80 [20,3] | .49 [12,2] | .42 [10,7] | .31 [7,9] | .16 [4,1] | 1.31 [33,3] | .75 [19,1] | .31 [7,87] | .04 [1,02] | DED-9 |
| 214A521 | 1.15 [29,2] | 1.11 [28,2] | .49 [12,2] | .42 [10,7] | .40 [10,2] | .21 [5,3] | 1.53 [38,9] | .87 [22,1] | .31 [7,87] | .04 [1,02] | DAD-15 |
| 214A532 | 1.69 [42,9] | 1.66 [42,2] | .49 [12,2] | .42 [10,7] | .55 [14,0] | .32 [8,1] | 1.77 [45,0] | 1.00 [25,4] | .31 [7,87] | .04 [1,02] | DBD-25 |
| 214A542 | 2.35 [59,7] | 2.31 [58,7] | .49 [12,2] | .42 [10,7] | .68 [17,3] | .34 [8,6] | 2.10 [53,3] | 1.12 [28,4] | .31 [7,87] | .04 [1,02] | DCD-37 |
| 214A552 | 2.26 [57,4] | 2.28 [57,9] | .60 [15,2] | .54 [13,7] | .75 [19,1] | .42 [10,7] | 2.40 [61,0] | 1.25 [31,8] | .31 [7,87] | .04 [1,02] | DDD-50 |

Raychem

RAYCHEM CORPORATION
300 CONSTITUTION DRIVE
MENLO PARK, CALIFORNIA 94025

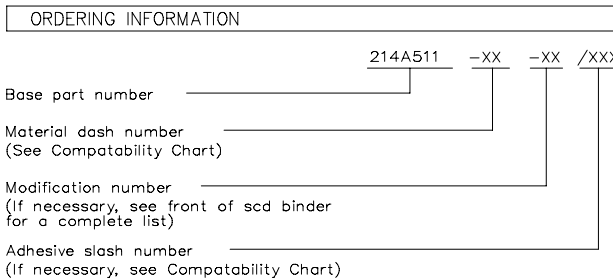
Revision : F
Date : 2/11/98

Part Number : 214A511 thru 552
Description : Boot, Rectangular, Straight Environmental, Subminiature

Thermofit[®] Molded Parts Specification Control Drawing

Part Number : 214A511 thru 552
Description : Boot, Rectangular, Straight Environmental, Subminiature

| MATERIAL DASH NO. | MATERIAL DESCRIPTION | RT SPEC | COATING SLASH NO. | COATING S NO. | COATING DESCRIPTION |
|-------------------|----------------------------|---------|-------------------|---------------|---------------------|
| -3 | Polyolefin, Semi-rigid | RT-301 | /42 | S-1017 | Adhesive |
| -4 | Polyolefin, Flexible | RT-1304 | /42 | S-1017 | Adhesive |
| -25 | Elastomer, Fluid Resistant | RT-1325 | /86 | S-1048 | Adhesive |
| | | | | | |
| | | | | | |



THIS DRAWING IS SUBJECT TO CHANGE WITHOUT NOTICE; CONSULT YOUR NEAREST FIELD REPRESENTATIVE FOR CURRENT REVISION

Raychem

RAYCHEM CORPORATION
300 CONSTITUTION DRIVE
MENLO PARK, CALIFORNIA 94025

Revision : F
Date : 2/11/98

Part Number : 214A511 thru 552
Description : Boot, Rectangular, Straight Environmental, Subminiature

X-ON Electronics

Largest Supplier of Electrical and Electronic Components

Click to view similar products for [TE Connectivity](#) manufacturer:

Other Similar products are found below :

[D38999/24FJ4AN](#) [570416-000](#) [CLTEQ-M81CE-SSRELAY-4-20V](#) [4-1195131-0](#) [650069-000](#) [SMD100-2](#) [358838-000](#) [CB-1022B-78](#)
[RM707012](#) [RP410012](#) [MMS42](#) [1-640426-8](#) [2EDL4CM](#) [DTS20W19-11PD-3028-LC](#) [RM202615](#) [NC6-P104-06](#) [MSPS103B](#) [DTS26F21-](#)
[41HE-LC](#) [DTS26F21-41AE](#) [DTS26F21-41PE-LC](#) [DTS26F21-11SE-3028-LC](#) [30DCB6](#) [1932144-1](#) [293545-4](#) [LVR125S](#) [MS27466T25F4PB](#)
[CKB-38-78010](#) [TR04AI-TINELLOCKRING](#) [1206SFF150F/63-2](#) [D38999/20JB35HA](#) [TE1500A2R2J](#) [D38999/20WC8BB](#) [DTS24F19-11SC-](#)
[3028-LC](#) [D38999/24WG11HA](#) [D38999/24WG11HN](#) [MS27467T21F11H](#) [DJT16E21-11HA](#) [MS27467T21F35J](#) [MS27467T21F11J](#)
[MS27467T21F16H-LC](#) [MS27467T21F35H](#) [MS27467T21F41H-LC](#) [1206SFH150F/24-2](#) [RP330024](#) [DJT16E21-11PA-LC](#) [DJT16E21-11HA-](#)
[LC](#) [DJT16E21-11AA](#) [MS27467T21B11JA](#) [DJT16E21-11JA](#) [MS27467T21B11JA-LC](#)