

REVISIONS

P	LTR	DESCRIPTION	DATE	DWN	APVD
	P	PRODUCTION ISSUE	18JAN2019	PNT	MT

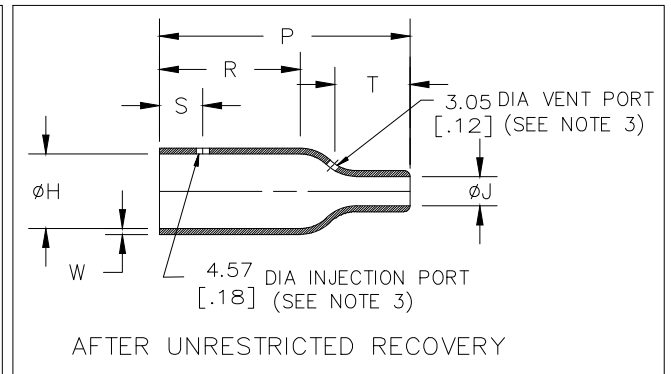
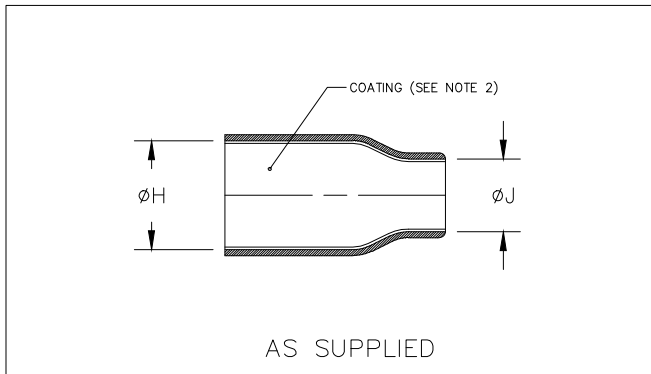


TABLE OF DIMENSIONS

PART NUMBER	H		J		P	R	S	T	W	Weight
	Min a	Max b	Min a	Max b	$\pm 10\%$ b	$\pm 10\%$ b	$\pm 10\%$ b	$\pm 10\%$ b	$\pm 20\%$ b	Nom b
202A011	10.7 [.42]	7.9 [.31]	8.4 [.33]	3.8 [.15]	25.4 [1.00]	14.2 [.56]	12.7 [.50]	N/A	1.27 [.05]	0.9 [.002]
202A021	13.7 [.54]	9.9 [.39]	11.7 [.46]	5.3 [.21]	38.1 [1.50]	21.8 [.86]	15.2 [.60]	N/A	1.52 [.06]	1.8 [.004]
202A032	19.3 [.76]	14.2 [.56]	14.2 [.56]	6.6 [.26]	51.3 [2.02]	27.9 [1.10]	19.1 [.75]	16.0 [.63]	1.78 [.07]	3.6 [.008]
202A042	23.9 [.94]	17.8 [.70]	15.5 [.61]	7.4 [.29]	66.8 [2.63]	35.6 [1.40]	19.1 [.75]	22.1 [.87]	1.78 [.07]	6.4 [.014]
202A053	30.0 [1.18]	21.9 [.86]	18.0 [.71]	8.6 [.34]	73.7 [2.90]	41.4 [1.63]	19.1 [.75]	22.1 [.87]	1.78 [.07]	11.3 [.025]
202A063	37.8 [1.49]	27.4 [1.08]	21.3 [.84]	9.4 [.37]	99.1 [3.90]	62.7 [2.47]	19.1 [.75]	25.1 [.99]	2.03 [.08]	18.1 [.040]
202A074	47.0 [1.8]	35.3 [1.39]	35.6 [1.40]	16.0 [.63]	130.3 [5.13]	64.8 [2.55]	25.4 [1.00]	50.8 [2.00]	3.30 [.13]	45.4 [1.00]
202A085	59.4 [2.34]	43.7 [1.72]	43.7 [1.72]	19.6 [.77]	161.3 [6.35]	90.2 [3.55]	25.4 [1.00]	54.6 [2.15]	3.81 [.15]	87.5 [1.93]
202A096	81.3 [3.20]	57.2 [2.25]	55.6 [2.19]	26.9 [1.06]	212.6 [8.37]	113.0 [4.45]	25.4 [1.00]	80.0 [3.15]	4.06 [.16]	166.5 [3.67]

RELEASED FOR PUBLICATION

ALL RIGHTS RESERVED.

COPYRIGHT - TE Connectivity Ltd.

THIS DRAWING IS UNPUBLISHED.

DIMENSIONS:
mm [INCHES]

DWN PRAVEEN N T 18JAN2019

MATERIAL SEE SHEET 2

FINISH -

TOLERANCES UNLESS OTHERWISE SPECIFIED:

CHK N NAGAR 18JAN2019

APVD M TAYLOR 18JAN2019



TE Connectivity Ltd.

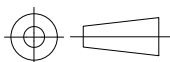
PRODUCT SPEC

NAME BOOT, STRAIGHT, THIN WALL

APPLICATION SPEC

SIZE A4 CAGE CODE 00779 DRAWING NO 202A011-XX-0THRU096-XX-0 RESTRICTED TO -

WEIGHT



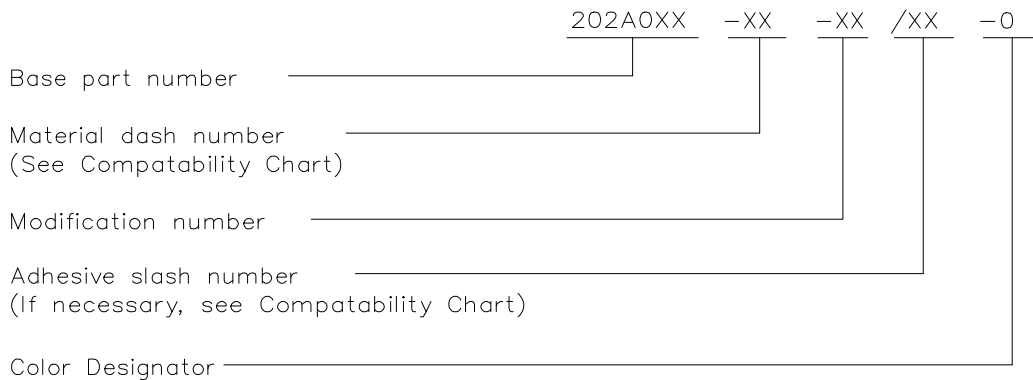
CUSTOMER DRAWING

SCALE DNS SHEET 1 OF 2 REV P

REVISIONS				
P	LTR	DESCRIPTION	DATE	APVD
	-	SEE SHEET 1	-	-

COMPATABILITY CHART				
MATERIAL DASH NO.	MATERIAL DESCRIPTION	RT SPEC	COATING SLASH NO.	COATING S NO.
-3	Polyolefin, Semi-rigid	RT-301	/42;/86;/180	S1017;S1048;S1030
-4	Polyolefin, Flexible	RT-1304	/42;/86;/180	S1017;S1048;S1030
-12	Fluoroelastomer, Flexible	RT-1312	N/A	N/A
-25	Elastomer, Fluid Resistant	RW-2070	/42;/86;/225	S1017;S1048;S1206

ORDERING INFORMATION



NOTES:


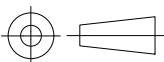
- Dimensions appearing in table are as follows:
 - a - As Supplied
 - b - After Unrestricted Recovery
- Coating is optional. As supplied dimensions appearing in table are for uncoated parts. When coating is added, entry diameters will be reduced by 1.5mm[.06] max.
- Molding ports are optional. When -00 modification number is specified molding ports will be located as shown. On sizes 202A011 and 202A021 3.05mm[.12]dia. vent port will be eliminated.
- Weight shown in table of dimensions is based on polyolefin part.
- 202A0XX parts are made from 202A1XX family parts and will have a white label for identification.

RELEASED FOR PUBLICATION

ALL RIGHTS RESERVED.

© COPYRIGHT - TE Connectivity Ltd.

THIS DRAWING IS UNPUBLISHED.

DIMENSIONS: mm [INCHES]	DWN PRAVEEN N T 18JAN2019	MATERIAL -	FINISH -
	CHK N NAGAR 18JAN2019	 TE Connectivity Ltd.	
TOLERANCES UNLESS OTHERWISE SPECIFIED:	APVD M TAYLOR 18JAN2019		
0 PLC ± -	PRODUCT SPEC	SIZE	CAGE CODE
1 PLC ± -	-	DRAWING NO	
2 PLC ± -	APPLICATION SPEC	RESTRICTED TO	
3 PLC ± -	-	A4 00779 C- 202A011-XX-0THRU096-XX-0	
4 PLC ± -	WEIGHT	-	
ANGLES ± -	CUSTOMER DRAWING		
	SCALE	SHEET	REV
	DNS	2 OF 2	P

X-ON Electronics

Largest Supplier of Electrical and Electronic Components

Click to view similar products for [Heat Shrink Cable Boots & End Caps](#) category:

Click to view products by [TE Connectivity](#) manufacturer:

Other Similar products are found below :

[577159N001](#) [007758-000](#) [610368N003](#) [618803-000](#) [645494-000](#) [M85049/141-02HU](#) [M85049/141-03HU](#) [M85049/141-04HU](#) [687025-000](#)
[705331-000](#) [718446-000](#) [725666N001](#) [729257-000](#) [F21914-000](#) [F27131-000](#) [F85868-000](#) [770-006A103R](#) [770-006A304W1](#) [770-](#)
[006A305W1](#) [770-006A308W1](#) [770-011T303W1](#) [770-011T304W1](#) [770-020S702W1](#) [770-020S704W1](#) [806542N001](#) [807507-000](#) [808059-000](#)
[808296-000](#) [808362-000](#) [808828-000](#) [809125-000](#) [809130-000](#) [809218-000](#) [811218-000](#) [811288-000](#) [812014-000](#) [812047-000](#) [813166-000](#)
[813767N002](#) [814417-000](#) [819115N001](#) [819117N001](#) [823026-000](#) [823070-000](#) [825002-000](#) [841189N001](#) [861471-000](#) [866647-000](#) [937577-](#)
[000](#) [950764-000](#)