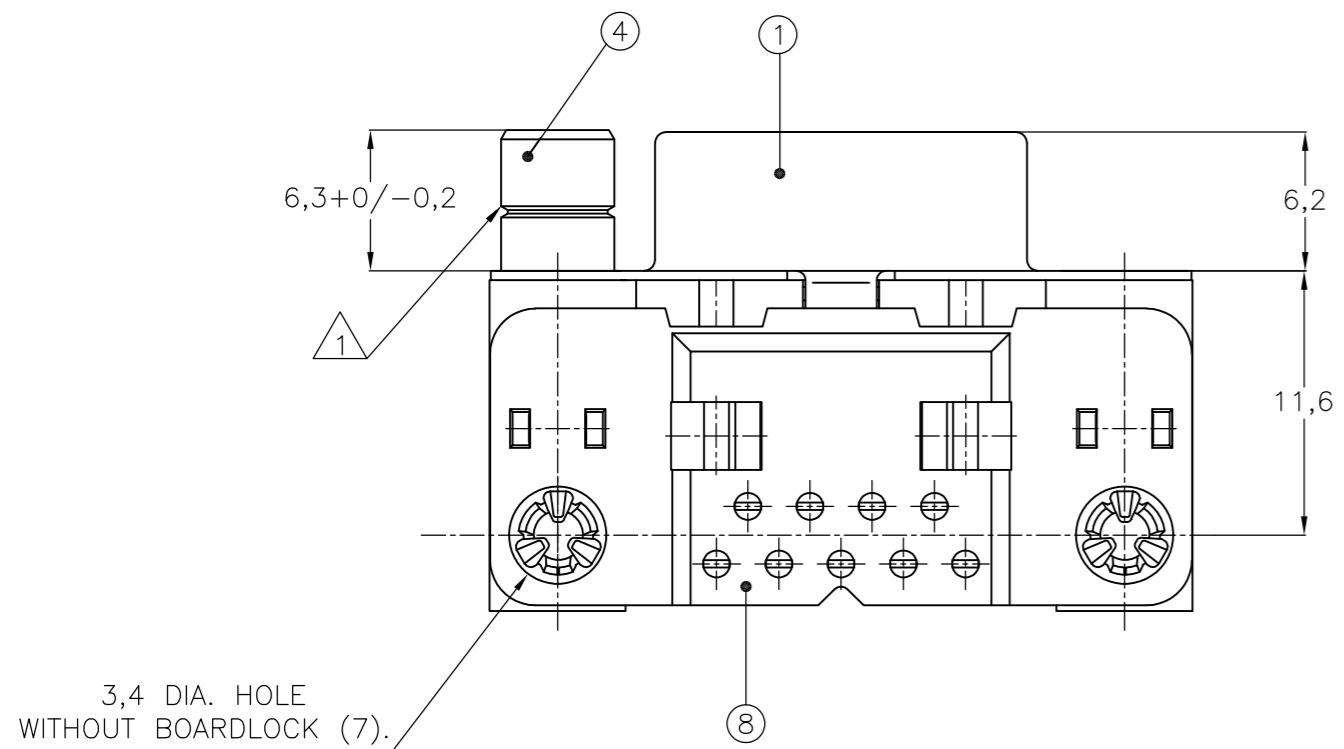
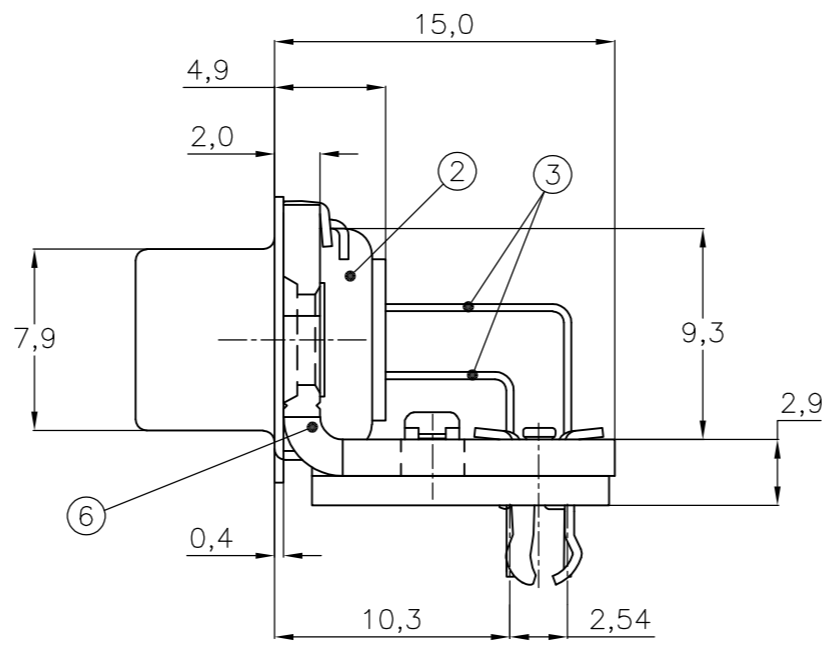
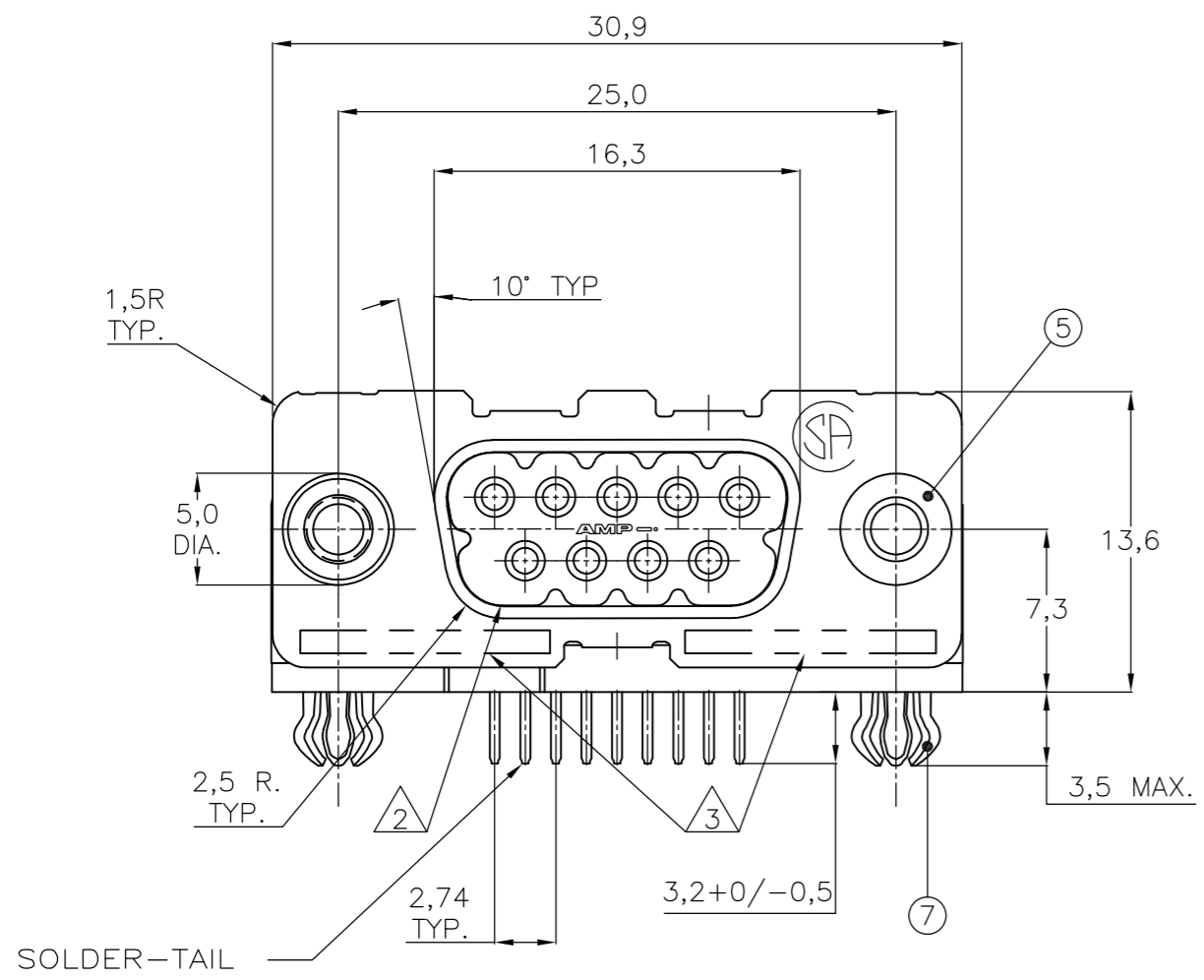


THIS DRAWING IS UNPUBLISHED. RELEASED FOR PUBLICATION
 © COPYRIGHT - By - ALL RIGHTS RESERVED.

LOC	DIST	REVISIONS			
P	LTR	DESCRIPTION	DATE	DWN	APVD
GP	00	M	REVISED PER ECO-15-004948	27APR2015	AP SB



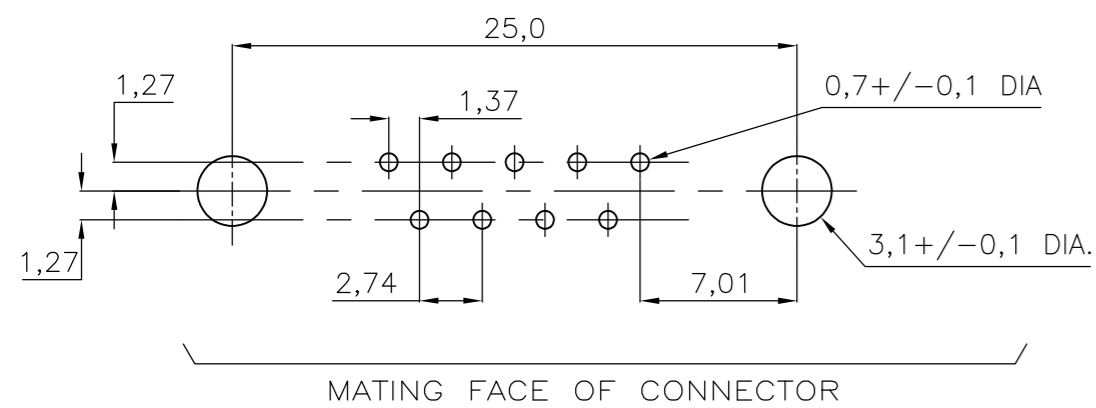
ACCESSORIES	ITEM NO.	DESCRIPTION OF ACCESSORY	QUANTITY											
			1	2	3	4	5	6	7	8	9			
	5	BUSHING WITH THROUGH-HOLE 3,1 DIA.		2					2					
	5	BUSHING WITH INNER THREAD 4-40 UNC		2						2				
	5	BUSHING WITH INNER THREAD M3			2						2			
	4	FEMALE SCREWLOCK WITH 4-40 UNC				2						2		
	4	FEMALE SCREWLOCK WITH M3					2						2	
	7	BOARDLOCK	2	2	2	2	2							

- ① GROOVE INDICATES VERSION WITH 4-40 UNC INNER THREAD; WITHOUT GROOVE INDICATES VERSION WITH M3 INNER THREAD.
- ② CAVITY IDENTIFICATION AT FRONT SIDE ONLY.
- ③ PART NUMBER AND DATE CODE.
- 4. AIR AND CREEPAGE DISTANCES ACCORDING TO DIN 41652.
- ⑤ CONTACT FINISH: GOLD FLASH OVER PALLADIUM NICKEL PLATE OR GOLD PLATE ON MATING SURFACES, TIN PLATE ON THE SOLDER-TAILS, NICKEL UNDERPLATE ON THE ENTIRE CONTACT. MATING SURFACE FINISH MEETS PERFORMANCE LEVEL 2 PER DIN 41652.

ITEM NO./MATERIAL :

- ① SHELL : BRIGHT TIN PLATED STEEL
- ② HOUSING : GLASS FILLED POLYESTER, COLOR : BLACK
- ③ CONTACTS : PHOSPHOR BRONZE (PLATING : SEE NOTES ABOVE)
- ④ FEMALE SCREWLOCK : TIN PLATED STEEL (INNER THREAD 4-40 UNC OR M3)
- ⑤ BUSHING : TIN PLATED STEEL (INNER THREAD 4-40 UNC OR M3 OR 3,1 DIA THROUGH-HOLE)
- ⑥ BRACKET : TIN PLATED STEEL
- ⑦ BOARDLOCK : TIN PLATED PHOSPHOR BRONZE
- ⑧ POST ALIGNMENT PLATE : GLASS FILLED NYLON COLOR : BLACK

RECOMMENDED P.C. BOARD HOLE-LAYOUT



THIS DRAWING IS A CONTROLLED DOCUMENT. DIMENSIONING AND TOLERANCING PER ASME Y14.5M-2009		DWN D. KESSLER 14JAN99	TE Connectivity	
DIMENSIONS: mm		CHK W. SOOMERS		
TOLERANCES UNLESS OTHERWISE SPECIFIED:		APVD	HD-20 SIZE 1 RIGHT ANGLE RECEPTACLE HEADER; MARK II+	
0 PLC ± -		PRODUCT SPEC	SIZE	CAGE CODE
1 PLC ± 0.3		APPLICATION SPEC	A2	00779
2 PLC ± 0.15		WEIGHT	DRAWING NO C=106505	
3 PLC ± -		CUSTOMER DRAWING	SCALE	SHEET
4 PLC ± -			NTS	1 OF 1
ANGLES ± 2°			REV	M

X-ON Electronics

Largest Supplier of Electrical and Electronic Components

Click to view similar products for [D-Sub High Density Connectors](#) category:

Click to view products by [TE Connectivity](#) manufacturer:

Other Similar products are found below :

[97-3250-11](#) [163A17089X](#) [164A17199X](#) [164C18629X](#) [L717HDB44POL2R210](#) [L717HDEH15POL2](#) [L777HDE15P](#) [L77HDE15SC309](#)
[163A16759X](#) [163A16839X](#) [163A16989X](#) [163A17079X](#) [164A17329X](#) [164A18219X](#) [241A16440X](#) [241A16550X](#) [241A16680X](#)
[241A20810X](#) [241A25740X](#) [CT25-44P](#) [MDBE15PE766](#) [L177HDE15SOL2RM23](#) [L177HRC62SVFM](#) [L177HRCG62S](#)
[L717HDEG15POL2RM5](#) [L77HDA26SVF](#) [L77HDE15SD1CO](#) [L77HDEH15SOL2RM832](#) [DAMA-15S-WS](#) [443895-3](#) [106698-1](#) [280-](#)
[012K2C](#) [DBMV13H3SNA197](#) [L177HRB44S](#) [164A17039X](#) [09562004701510](#) [L777HRC62P](#) [241A17960X](#) [164A18269X](#) [280-019S1S9MEN](#)
[L777HDEG15P](#) [280-018P3S25MEGN](#) [206504-2](#) [40-9515HDSP](#) [2057140-1](#) [C115370-6002](#) [DFMA104SNMBFR172FR022](#) [HDC9F200E2S](#)
[L717HDAG26POL2RM8](#) [241A28180X](#)