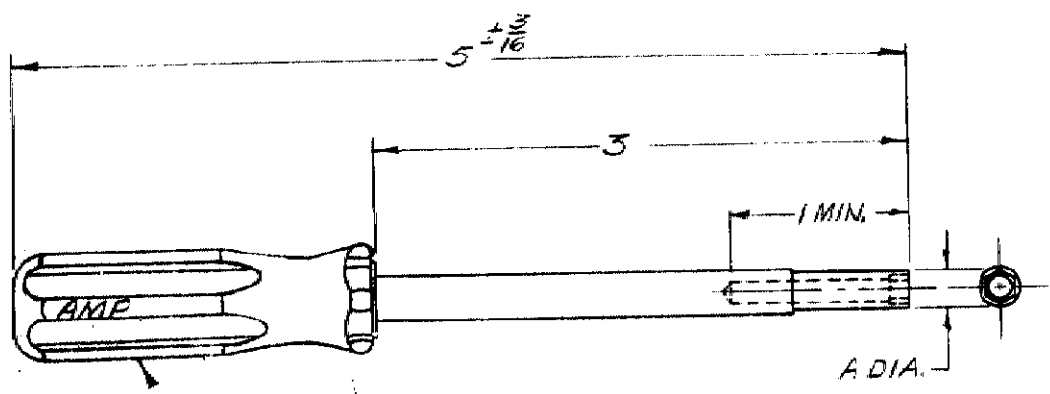


NUMBER  
C-811262

| PART NUMBER | A          | NUT SIZE | USED ON                  |
|-------------|------------|----------|--------------------------|
| 811262-1    | 233<br>243 | 4-40     | ALL SERIES<br>"M" BLOCKS |
| 811262-2    | 304<br>311 | 6-32     | ALL SERIES<br>"M" BLOCKS |



SEE TABLE FOR NO. (NUT SIZE)

DIMENSIONS IN INCHES. DO NOT SCALE PRINT.

©1962 BY AMP INCORPORATED. ALL RIGHTS RESERVED. AMP PRODUCTS COVERED BY PATENTS AND/OR PATENTS PENDING.

**CUSTOMER COPY  
REFERENCE ONLY**

MATERIAL AND FINISH  
— # —

**AMP** AMP INCORPORATED  
HARRISBURG, PENNA.

WIRE — RANGE — INSULATION  
— # —

CLASS — # —  
TYPE — # —

TOLERANCE EXCEPT AS NOTED ± .015 ± 1' 0'

SCALE — # —  
LOC M A NO C-811262 REV B-1

NAME NUT DRIVER (SPECIAL)

| REVISION RECORD         | DR | CHK | DATE    |
|-------------------------|----|-----|---------|
| B-1 LOC M WAS R.        | PF | —   | 7/6/62  |
| B HANDLE AS SHOWN       | LL | S   | 5/3/71  |
| A REVISED PER ECNAR 244 | LL | LL  | 6/15/62 |
| DR J. Hahn              |    |     | 3/22/62 |
| CHK W. [unclear]        |    |     | 3/29/62 |

PRINT DIST  
316

## X-ON Electronics

Largest Supplier of Electrical and Electronic Components

*Click to view similar products for [Screwdrivers, Nut Drivers & Socket Drivers](#) category:*

*Click to view products by [TE Connectivity](#) manufacturer:*

Other Similar products are found below :

[272012M](#) [27850](#) [CE-16-03400-00-HNDLE-TORQ](#) [323451-000](#) [HMM-HH](#) [WUVT-1-120AC-P](#) [00-8987-YWPP](#) [TS-35](#) [32024](#) [TL10416](#)  
[XW4Z-00B](#) [49-22-4073](#) [96025](#) [96030](#) [96560](#) [96430](#) [31830](#) [92270](#) [96012](#) [96436](#) [96536](#) [92064](#) [72820](#) [96520](#) [92040](#) [96416](#) [96570](#) [72823](#)  
[96525](#) [96720](#) [31832](#) [92020](#) [96523](#) [96510](#) [96427](#) [92073](#) [92052](#) [72905](#) [72741](#) [72663](#) [32061](#) [30751](#) [130203/TA](#) [KLEIN TOOLS](#)  
[SCREWDRIVER 4-IN-1](#) [612020B](#) [35-045](#) [6951](#) [83](#) [9058](#) [9977](#)