

REVISIONS		
LTR	DESCRIPTION	DATE
A	ECO-10-025907	12/20/2010

**NOTES**

- ALL DIMENSIONS ARE IN  $\frac{\text{INCHES}}{\text{[MILLIMETERS]}}$
- DIMENSIONS APPEARING IN TABLE ARE AS FOLLOWS:  
 a - AS SUPPLIED  
 b - AFTER UNRESTRICTED RECOVERY
- TUBING MATERIAL PER RK-6008/2
- PART NUMBERING SYSTEM

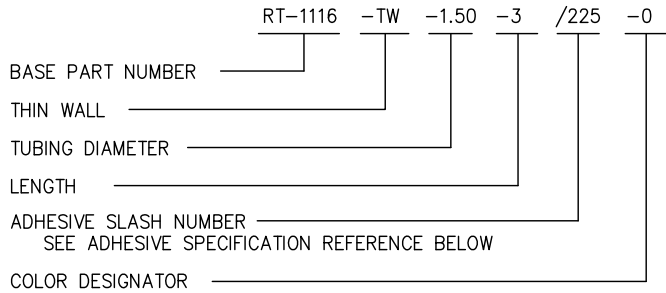
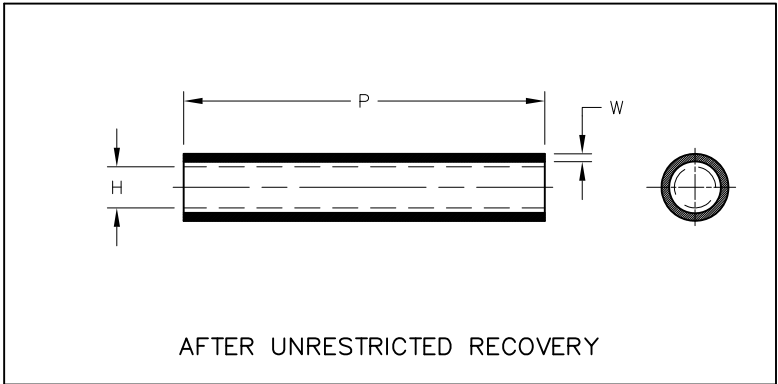
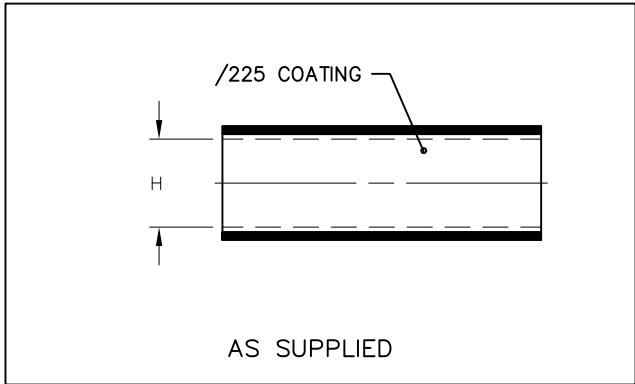


TABLE OF DIMENSIONS				
PART DESCRIPTION	H		P	W
	MIN a	MAX b	MIN b	$\pm 20\%$ b
RT-1116-TW-1.50-3/225-0	$\frac{1.40}{[35,6]}$	$\frac{.75}{[19,1]}$	$\frac{3.00}{[76,2]}$	$\frac{.04}{[1,02]}$

**CUSTOMER DRAWING**

ADHESIVE SPECIFICATION REFERENCE		
ADHESIVE SLASH NUMBER	ADHESIVE TYPE	ADHESIVE SPECIFICATION
/225	S-1206	RW-2074

UNLESS OTHERWISE SPECIFIED DIMENSIONS ARE INCHES. METRIC DIMENSIONS ARE IN BRACKETS.  
 DECIMAL TOLERANCES  
 .xxx  $\pm$  0.005 [0.13 mm]  
 .xx  $\pm$  0.01 [0.25 mm]  
 .x  $\pm$  0.1 [0.50 mm]  
 ANGLE TOLERANCE  
 .x  $\pm$  1 DEG.

DRAWN  
 UNGUYEN  
 APPROVED  
 DHURRELL

**Tyco Electronics** Raychem Molded Parts  
 305 Constitution Dr  
 Menlo Park, CA 94025

**TITLE** DR-25 TUBING, HEAT-SHRINKABLE, THIN WALL

THIRD ANGLE PROJECTION

SIZE B CODE IDENT. NO. 06090 DWG. NO. RT-1116-TW-X-X-0

© 2010 Tyco Electronics Corporation. All rights reserved. DO NOT SCALE THIS DRAWING SHEET 1 OF 1

## X-ON Electronics

Largest Supplier of Electrical and Electronic Components

*Click to view similar products for [Heavy Duty Power Connectors](#) category:*

*Click to view products by [TE Connectivity](#) manufacturer:*

Other Similar products are found below :

[647757-1](#) [6643411-1](#) [6646058-2](#) [6646137-1](#) [6646138-1](#) [6646479-1](#) [6646608-1](#) [6646786-1](#) [6646940-1](#) [6651091-1](#) [6651525-1](#) [6651529-1](#)  
[6651788-1](#) [696475-1](#) [702-32-01109](#) [703-25-02205](#) [73000005059](#) [73000005642](#) [73080255059](#) [73080965046](#) [765-15-0080A](#) [765-16-0080B](#)  
[765-18-0080D](#) [829992-1](#) [902-77-02113](#) [PS00/A0620/6300](#) [PS25/A0420/63](#) [129-1J](#) [1409400](#) [AN0024023](#) [E6374G1](#) [e6389g2](#) [157-43GW8](#)  
[MS3117-14AC](#) [1643543-1](#) [1650540-1](#) [1651811-2](#) [1766260-1](#) [1766282-1](#) [1766966-1](#) [1791340000](#) [NLDFT-3-BL-L-S120-M40A](#) [NLDFT-N-](#)  
[W-L-C240-M40B](#) [NLS-2-R-C240-M40B](#) [NLS-N-W-C240-M40B](#) [NPS-3-BL-T6](#) [1986615-1](#) [2-1589900-8](#) [2199314-1](#) [KA8102](#)