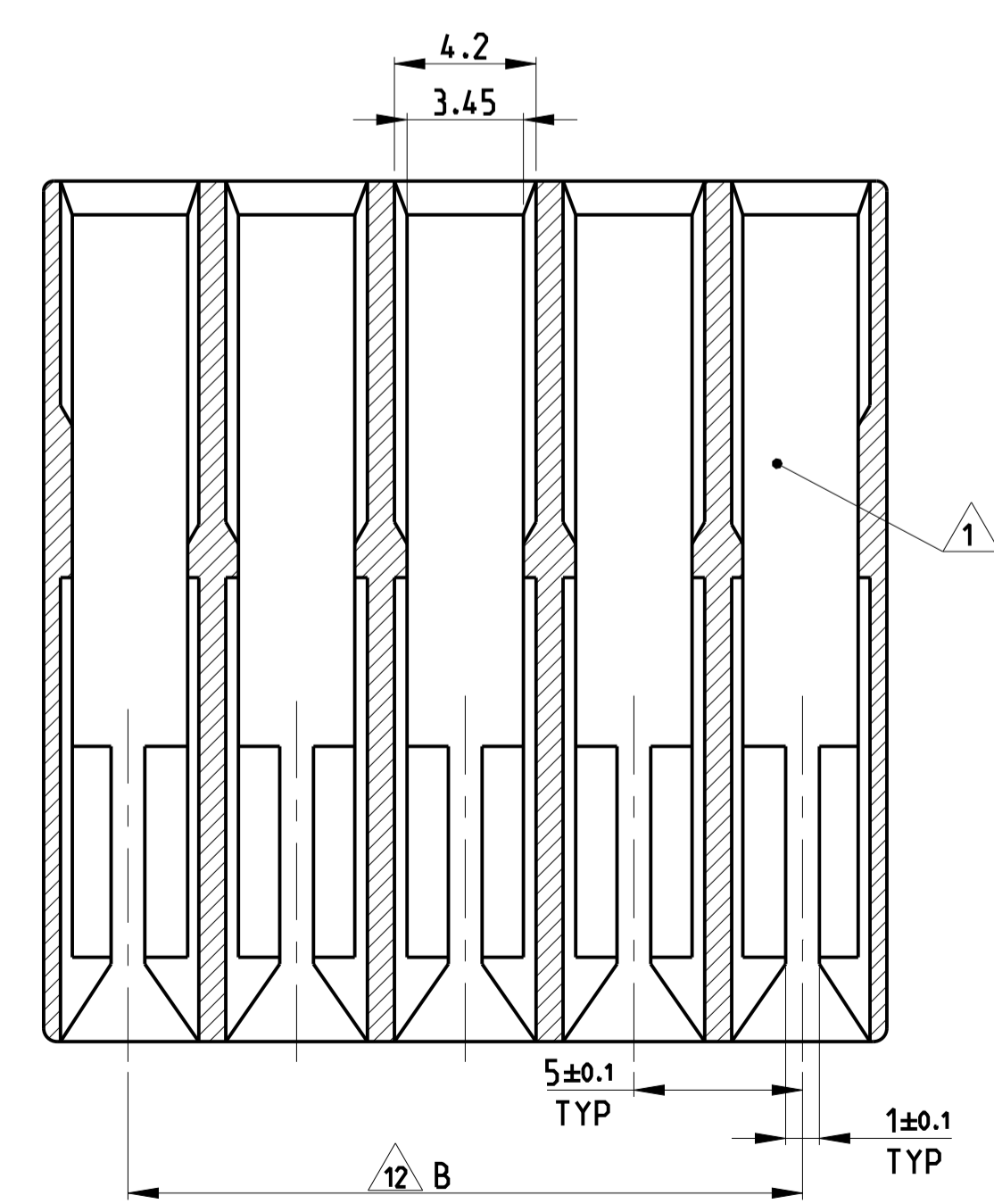
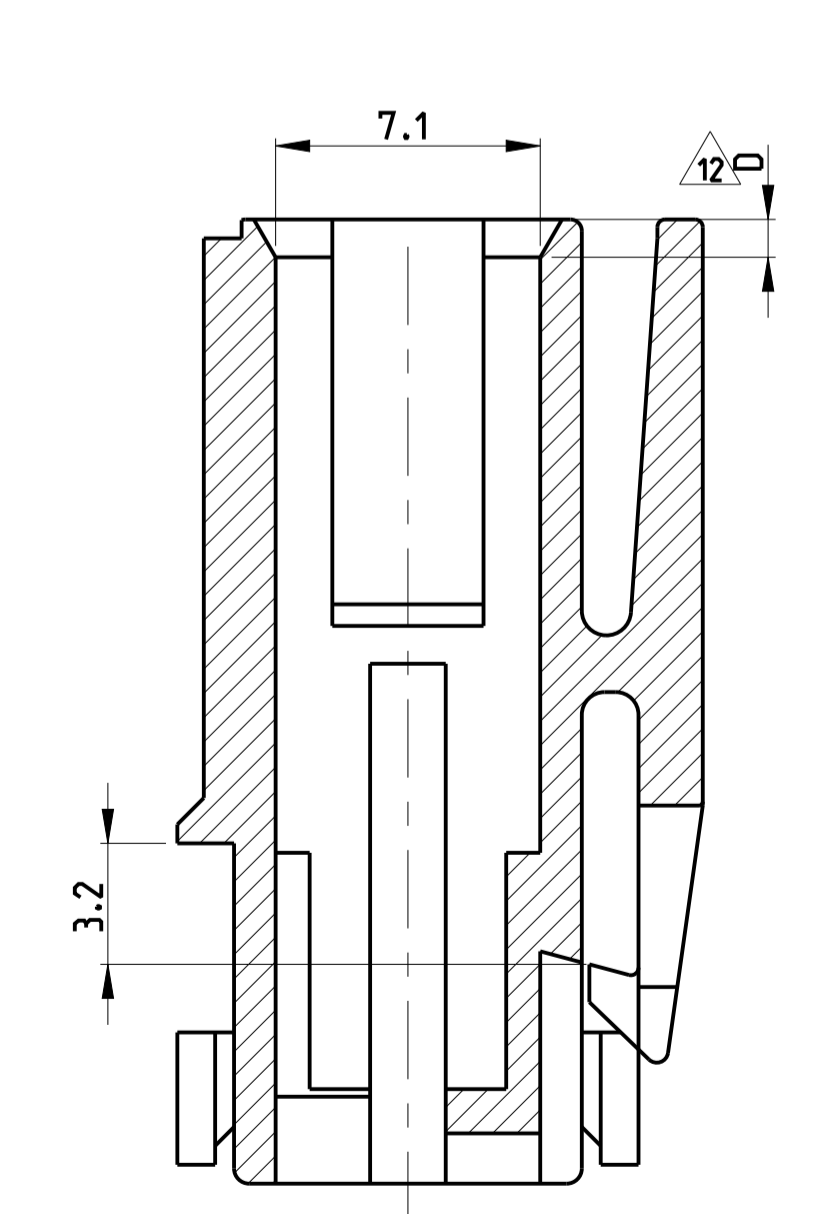
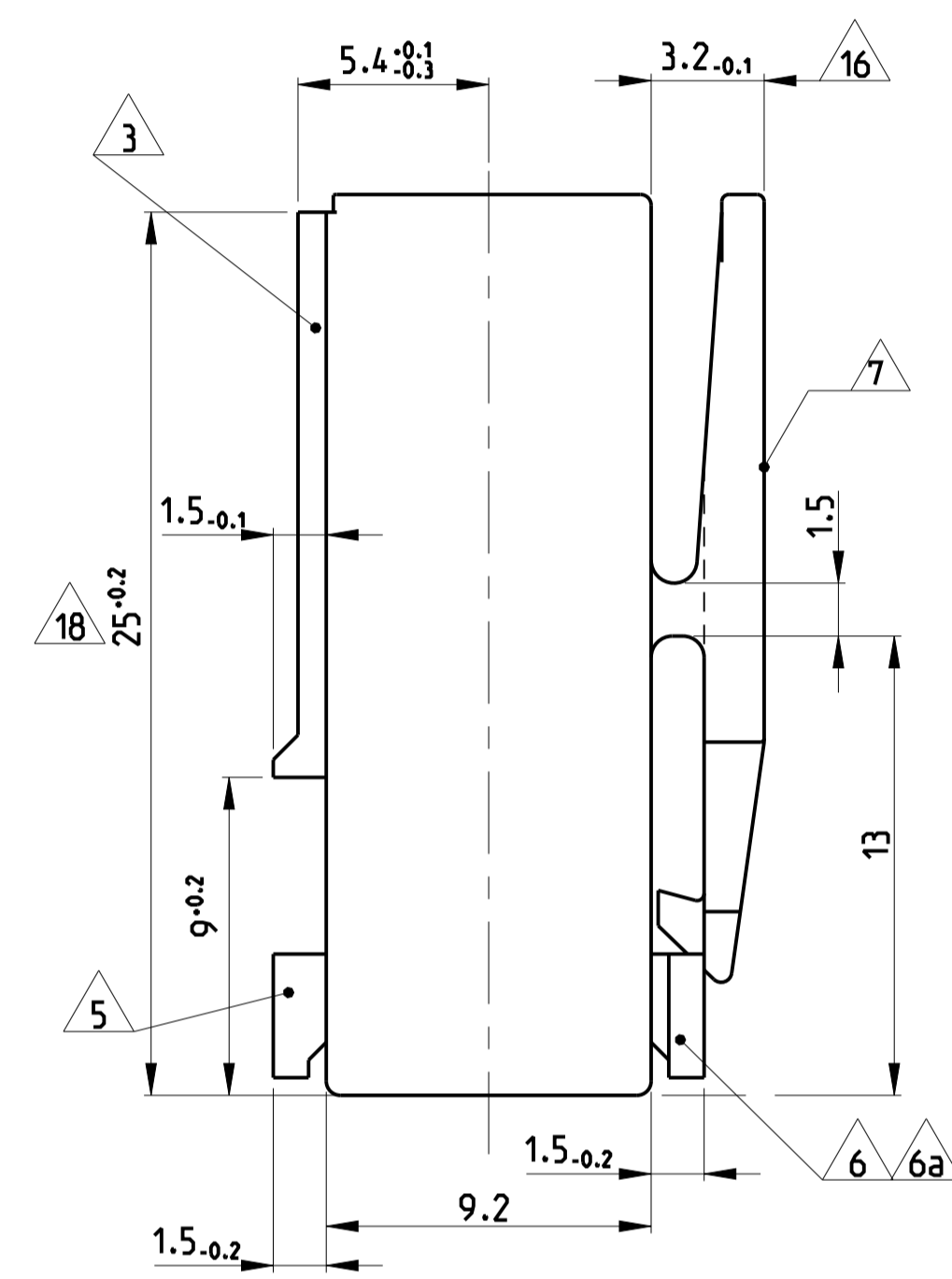
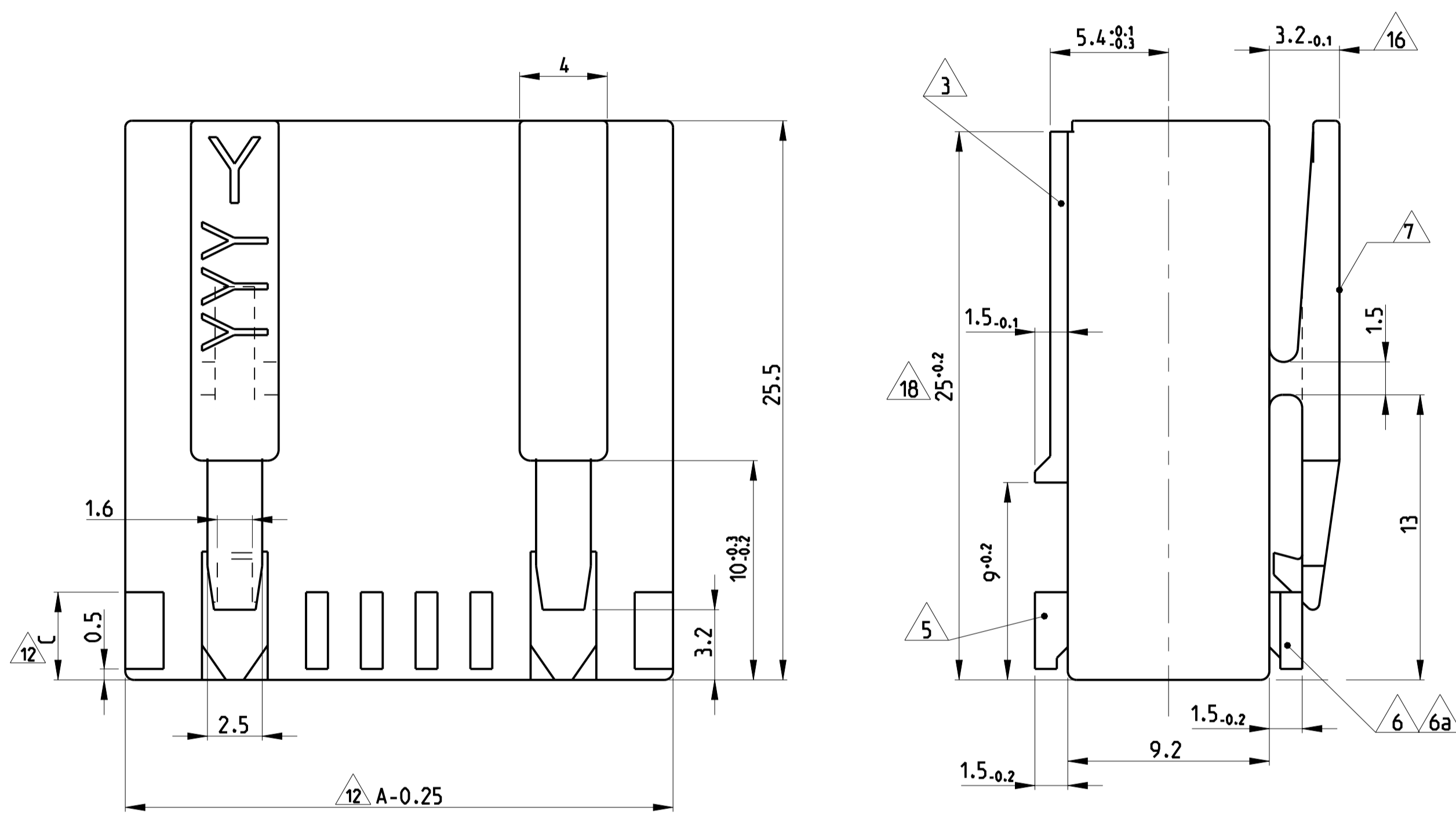
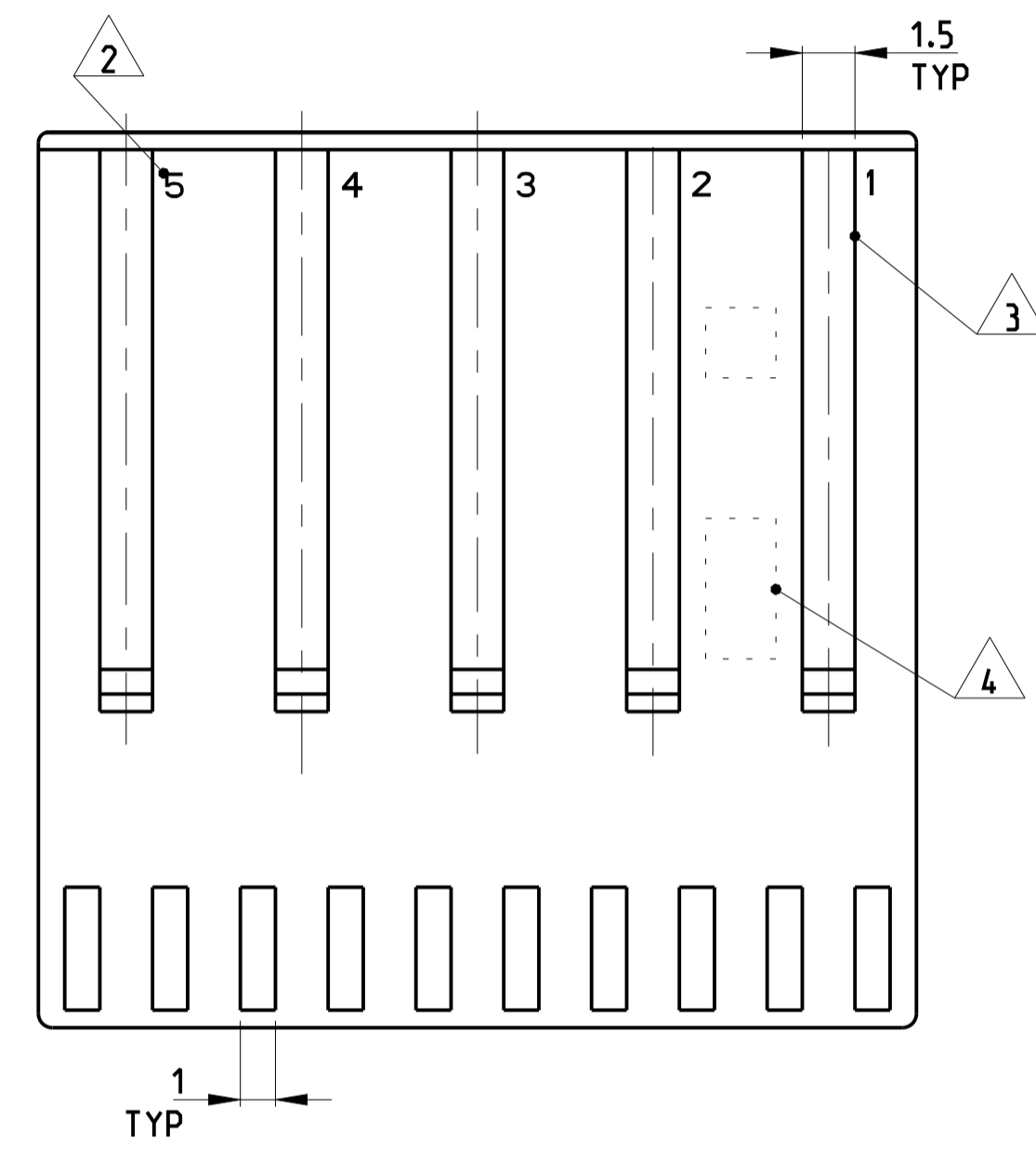
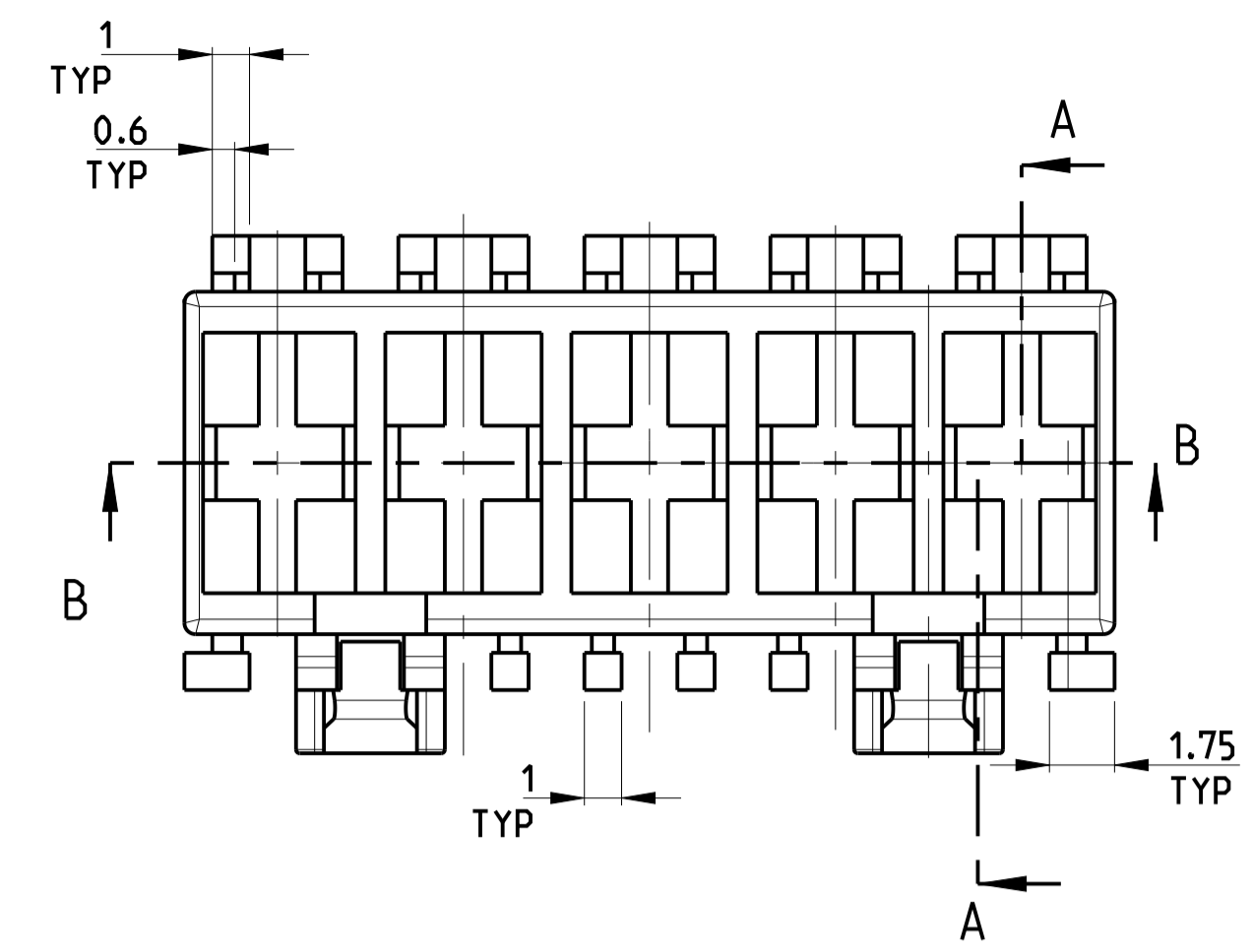
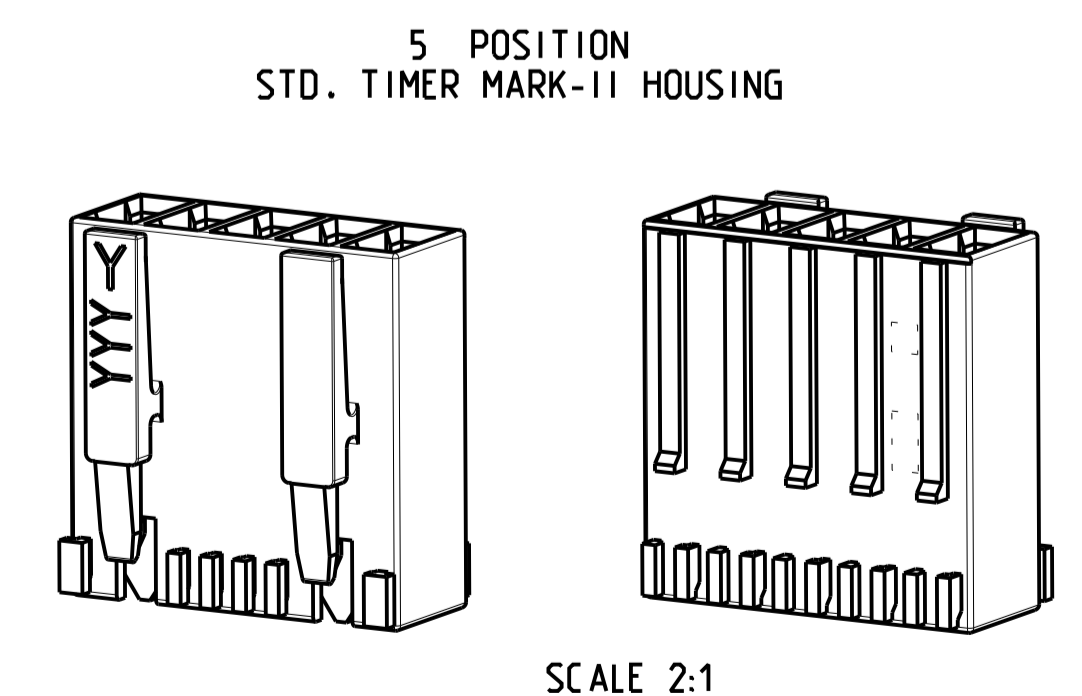


| LOC | | DIST | | REVISIONS | | | |
|-----|---------------|------|-----|-------------|-------------|-----|------|
| AI | - | P | LTR | DESCRIPTION | DATE | DWH | APVD |
| E1 | ECR-21-100139 | | | | 12 JAN 2021 | KD | FL |
| E2 | ECR-21-100675 | | | | 23 FEB 2021 | KD | FL |
| E3 | ECR-21-102870 | | | | 20 MAY 2021 | SM | FL |
| E4 | ECR-21-103933 | | | | 14 JUN 2021 | PJ | FL |



- REMARKS/Bemerkungen**
- 1 CAVITY SUITABLE FOR STANDARD TIMER CONTACTS LISTED IN PROD.SPEC. 108-18049. ITEM 3.3.2
Kammer geeignet für Standard Timer Kontakte gelistet in Prod. Spec. 108-18049. Punkt 3.3.2
 - 2 CONTACT CAVITY NO.
Kontaktkammernummerierung
 - 3 MATING STOP
Tiefenanschlag
 - 4 AREA FOR TE LOGO ACC. TO SPEC 202-36
Bereich für TE Logo nach Spec. 202-36
 - 5 POLARIZATION RIB POSITION "a" AND/OR "b"
Polarisierungsrippe Position "a" und/oder "b"
 - 6 KEYING RIB POSITION "c" AND/OR "d"
Kodierrippe Position "c" und/oder "d"
 - 6a KEYING RIB POSITION "c" AND/OR "d" AT THE END WALLS OF THE HOUSING
Kodierrippe Position "c" und/oder "d" an den Gehäusestirnseiten
 - 7 LOCKING LATCH
Rasthaken
 - 8 TE PART NO (PN)
TE Bestell Nr. (PN)
 - 9 DESIGN OF THE HOUSINGS ACC. TO RAST 5 STANDARD
Gehäuseausführung gemäss RAST 5 Vorgabe
 - 10 GENERAL SUITABLE TAB HEADER SEE RAST 5 PERFORMANCE
Generell passende Flachsteckerwannen siehe RAST 5 Vorgabe
 - 11 PACKAGING: BULK PACKAGING IN CORRUGATED BOX PN 740580-2
2 POS. 2500 PIECES PER BOX / 3 POS. 2000 PIECES PER BOX
Verpackung: Schüttgut in Versandkarton Pn 740580-2
2pol. 2500 Stück per Karton / 3pol. 2000 Stück per Karton
 - 12 DIMENSION A, B C AND D SEE SHEET 2 OF 3
 - 13 MATERIAL CORRESPONDS TO THE REQUIREMENT EN 60335
(INCL. GLOW WIRE TEST 750° WITHOUT FLAME)
Material entspricht den Anforderungen der EN 60335
(inkl. Glühdrahttest 750° ohne Flamme)
 - 14 RATIO NUMBER OF THE KEYING VERSION, INKJET PRINTED. SEE SHEET 2
Kodierungskennnummer, mit Tintenstrahldrucker aufgebracht. siehe Blatt 2
 - 15 PRELIMINARY- NOT RELEASED FOR PRODUCTION
 - 16 ONLY FOR 9-1241961-7. DIMENSION 3.2 -0.2
 - 17 DOUBLE SOURCE RESIN: ALTERNATIVE RESIN UNDER APPROVAL
 - 18 ALLOWED 25±0.2 FOR P/NS X-2364739-X.



| | | | |
|--|------------------|---------------------------|--|
| THIS DRAWING IS A CONTROLLED DOCUMENT. | | DWH: Kishor M 18-10-07 | TE Connectivity |
| DIMENSIONS: mm | | CHK: K. Murtz 18-10-07 | |
| TOLERANCES UNLESS OTHERWISE SPECIFIED: | | APPD: Tm Klanner 18-10-07 | NAME: STANDARD TIMER HSG. RAST 5 MARK II |
| 0 PLC ±0.2 | PRODUCT SPEC | 108-18049-1 | Standard Timer Gehäuse RAST 5 Mark II |
| 1 PLC ±0.2 | APPLICATION SPEC | | |
| 2 PLC ±0.2 | | | |
| 3 PLC ±0.2 | | | |
| 4 PLC ±0.2 | | | |
| 5 PLC ±0.2 | | | |
| 6 PLC ±0.2 | | | |
| 7 PLC ±0.2 | | | |
| 8 PLC ±0.2 | | | |
| 9 PLC ±0.2 | | | |
| 10 PLC ±0.2 | | | |
| 11 PLC ±0.2 | | | |
| 12 PLC ±0.2 | | | |
| 13 PLC ±0.2 | | | |
| 14 PLC ±0.2 | | | |
| 15 PLC ±0.2 | | | |
| 16 PLC ±0.2 | | | |
| 17 PLC ±0.2 | | | |
| 18 PLC ±0.2 | | | |
| 19 PLC ±0.2 | | | |
| 20 PLC ±0.2 | | | |
| 21 PLC ±0.2 | | | |
| 22 PLC ±0.2 | | | |
| 23 PLC ±0.2 | | | |
| 24 PLC ±0.2 | | | |
| 25 PLC ±0.2 | | | |
| 26 PLC ±0.2 | | | |
| 27 PLC ±0.2 | | | |
| 28 PLC ±0.2 | | | |
| 29 PLC ±0.2 | | | |
| 30 PLC ±0.2 | | | |
| 31 PLC ±0.2 | | | |
| 32 PLC ±0.2 | | | |
| 33 PLC ±0.2 | | | |
| 34 PLC ±0.2 | | | |
| 35 PLC ±0.2 | | | |
| 36 PLC ±0.2 | | | |
| 37 PLC ±0.2 | | | |
| 38 PLC ±0.2 | | | |
| 39 PLC ±0.2 | | | |
| 40 PLC ±0.2 | | | |
| 41 PLC ±0.2 | | | |
| 42 PLC ±0.2 | | | |
| 43 PLC ±0.2 | | | |
| 44 PLC ±0.2 | | | |
| 45 PLC ±0.2 | | | |
| 46 PLC ±0.2 | | | |
| 47 PLC ±0.2 | | | |
| 48 PLC ±0.2 | | | |
| 49 PLC ±0.2 | | | |
| 50 PLC ±0.2 | | | |
| 51 PLC ±0.2 | | | |
| 52 PLC ±0.2 | | | |
| 53 PLC ±0.2 | | | |
| 54 PLC ±0.2 | | | |
| 55 PLC ±0.2 | | | |
| 56 PLC ±0.2 | | | |
| 57 PLC ±0.2 | | | |
| 58 PLC ±0.2 | | | |
| 59 PLC ±0.2 | | | |
| 60 PLC ±0.2 | | | |
| 61 PLC ±0.2 | | | |
| 62 PLC ±0.2 | | | |
| 63 PLC ±0.2 | | | |
| 64 PLC ±0.2 | | | |
| 65 PLC ±0.2 | | | |
| 66 PLC ±0.2 | | | |
| 67 PLC ±0.2 | | | |
| 68 PLC ±0.2 | | | |
| 69 PLC ±0.2 | | | |
| 70 PLC ±0.2 | | | |
| 71 PLC ±0.2 | | | |
| 72 PLC ±0.2 | | | |
| 73 PLC ±0.2 | | | |
| 74 PLC ±0.2 | | | |
| 75 PLC ±0.2 | | | |
| 76 PLC ±0.2 | | | |
| 77 PLC ±0.2 | | | |
| 78 PLC ±0.2 | | | |
| 79 PLC ±0.2 | | | |
| 80 PLC ±0.2 | | | |
| 81 PLC ±0.2 | | | |
| 82 PLC ±0.2 | | | |
| 83 PLC ±0.2 | | | |
| 84 PLC ±0.2 | | | |
| 85 PLC ±0.2 | | | |
| 86 PLC ±0.2 | | | |
| 87 PLC ±0.2 | | | |
| 88 PLC ±0.2 | | | |
| 89 PLC ±0.2 | | | |
| 90 PLC ±0.2 | | | |
| 91 PLC ±0.2 | | | |
| 92 PLC ±0.2 | | | |
| 93 PLC ±0.2 | | | |
| 94 PLC ±0.2 | | | |
| 95 PLC ±0.2 | | | |
| 96 PLC ±0.2 | | | |
| 97 PLC ±0.2 | | | |
| 98 PLC ±0.2 | | | |
| 99 PLC ±0.2 | | | |
| 100 PLC ±0.2 | | | |

| LOC | DIST | REVISIONS | | | |
|-----|------|-------------|------|-----|------|
| P | LTN | DESCRIPTION | DATE | DWN | APVD |
| | | SEE SHEET 1 | | | |

SPECIAL VERSION: UL94 V0 & GWEPT 750°C NF

| Part No. | POS | Dim C | Dim D | Dim A | Dim B | Material | Colour | Rev. |
|-------------|-----|-------|-------|-------|-------|---------------|--------|------|
| 2364739-5 | 5 | 4 | 0.5 | 25 | 20 | PA66 13 17 | BLUE | C |
| 2364739-4 | 4 | | | 20 | 15 | | BLUE | C |
| 1-2364739-3 | 3 | | | 15 | 10 | | BLUE | C |
| 2364739-3 | 3 | | | 15 | 10 | | BLUE | C |
| 1-2364739-2 | 2 | | | 10 | 5 | | BLUE | C |
| 2364739-2 | 2 | | | 10 | 5 | | BLUE | C |
| 3-2364739-2 | 2 | | | 10 | 5 | | BLUE | C |
| 2-2364739-2 | 2 | | | 10 | 5 | | BLUE | C |

SPECIAL VERSION: UL94 V0 & GWT 750 NF & CTI 350

| Part No. | POS | Dim C | Dim D | Dim A | Dim B | Material | Colour | Rev. |
|-------------|-----|-------|-------|-------|-------|----------|---------|------|
| 5-1241961-7 | 3 | 6 | 1 | 15 | 10 | PA66 13 | NATURAL | A |
| 1-1241961-9 | 3 | | | 15 | 10 | | NATURAL | A |
| 7-1241961-7 | 3 | | | 15 | 10 | | NATURAL | A |

SPECIAL VERSION: UL94 V0 & GWT 750 NF

| Part No. | POS | Dim C | Dim D | Dim A | Dim B | Material | Colour | Rev. |
|-----------|-----|-------|-------|-------|-------|----------|---------|------|
| 2322164-1 | 4 | 4 | 0.5 | 20 | 15 | PA66 13 | NATURAL | 1 |

SPECIAL VERSION: UL94 V2 & GWT 750 NF

| Part No. | POS | Dim C | Dim D | Dim A | Dim B | Material | Colour | Rev. |
|-------------|-----|-------|-------|-------|-------|-------------|---------|------|
| 6-2178575-7 | 3 | 4 | 0.5 | 15 | 10 | PA6 GF15 13 | NATURAL | A |

SPECIAL VERSION: UL94 V0 & GWT 750 NF

| Part No. | POS | Dim C | Dim D | Dim A | Dim B | Material | Colour | Rev. |
|-------------|-----|-------|-------|-------|-------|---------------------------------|---------|------|
| 3-2178412-7 | 3 | 6 | 1 | 15 | 10 | PA66 13 UL94 V0 & GWT 750 NF | NATURAL | 1 |
| 4-2178412-7 | 3 | | | 15 | 10 | | NATURAL | 1 |
| 8-2178412-2 | 2 | | | 10 | 5 | | NATURAL | 1 |

UL94 V0 & GWT 750 NF

| Part No. | POS | Dim C | Dim D | Dim A | Dim B | Material | Colour | Rev. | | | |
|-------------|-----|-------|-------|-------|-------|---------------------------------|---------|-------|----------|--------|------|
| 2322917-4 | 4 | 4 | 0.5 | 20 | 15 | PA66 13 UL94 V0 & GWT 750 NF | NATURAL | C | | | |
| 2322917-2 | 2 | | | 10 | 5 | | NATURAL | C | | | |
| 2315717-1 | 2 | | | 10 | 5 | | NATURAL | C | | | |
| 2315717-2 | 2 | | | 10 | 5 | | NATURAL | C | | | |
| 2315717-3 | 2 | | | 10 | 5 | | NATURAL | C | | | |
| 1-2315717-2 | 2 | | | 10 | 5 | | NATURAL | 1 | | | |
| 2-2315717-2 | 2 | | | 10 | 5 | | NATURAL | 1 | | | |
| 2315717-4 | 4 | | | 20 | 15 | | NATURAL | C | | | |
| 2315717-5 | 4 | | | 20 | 15 | | NATURAL | C | | | |
| 2315717-6 | 3 | | | 15 | 10 | | NATURAL | C | | | |
| 2315717-7 | 3 | | | 15 | 10 | | NATURAL | C | | | |
| 1-2315717-3 | 3 | | | 15 | 10 | | NATURAL | E | | | |
| PART NO. | POS | | | DIM C | DIM D | | DIM A | DIM B | MATERIAL | COLOUR | REV. |

THIS DRAWING IS A CONTROLLED DOCUMENT.

| | | |
|------|-------------|----------|
| DW | Kishor M | 18-10-07 |
| CHK | K. Muniz | 18-10-07 |
| APPD | T. Klennner | 18-10-07 |

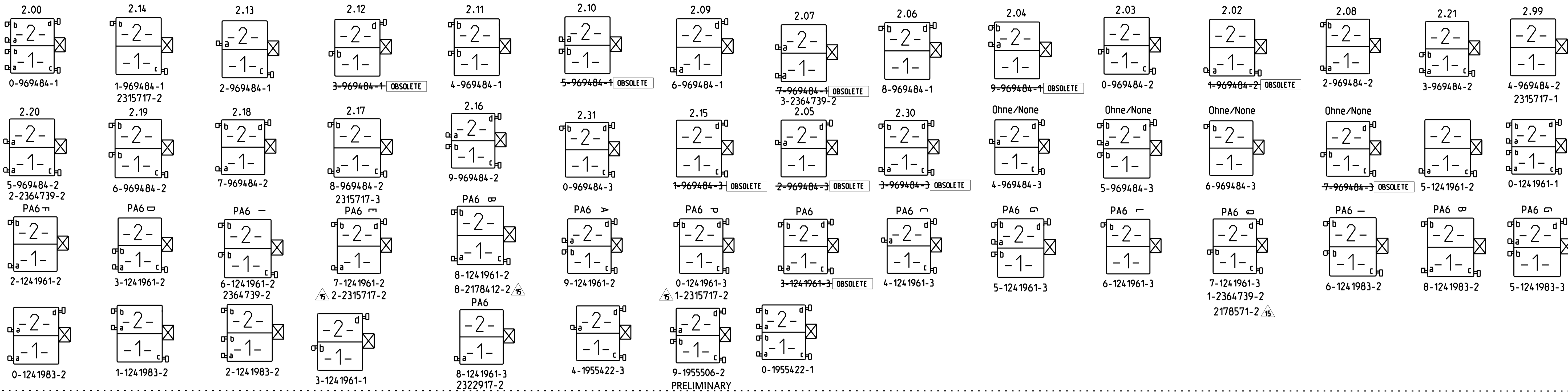
STANDARD TIMER HSG. RAST 5 MARK II
Standard Timer Gehäuse RAST 5 Mark II

SIZE: A1 CAGE CODE: 00779 DRAWING NO: 1241961

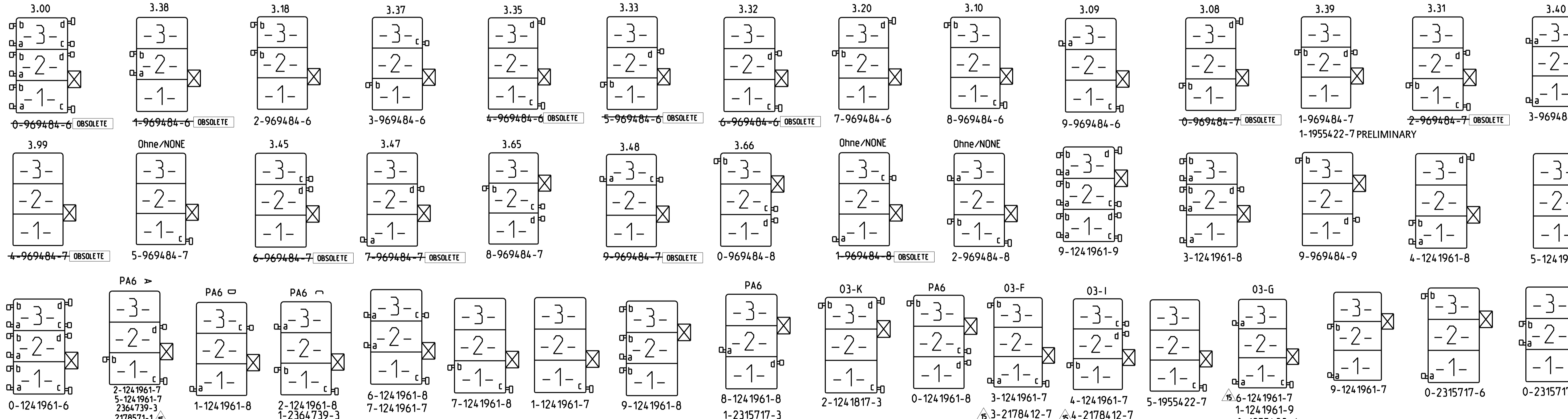
SCALE: 5:1 SHEET: 3 OF 4 REV: E4

| REVISONS | | DATE | OWN | APVD |
|----------|--------------|------|-----|------|
| 1 | SEE SHEET-01 | | | |

2 POSITION VARIANTS

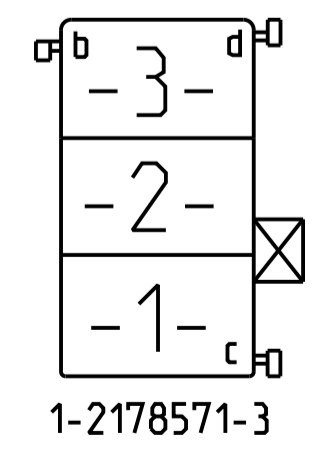
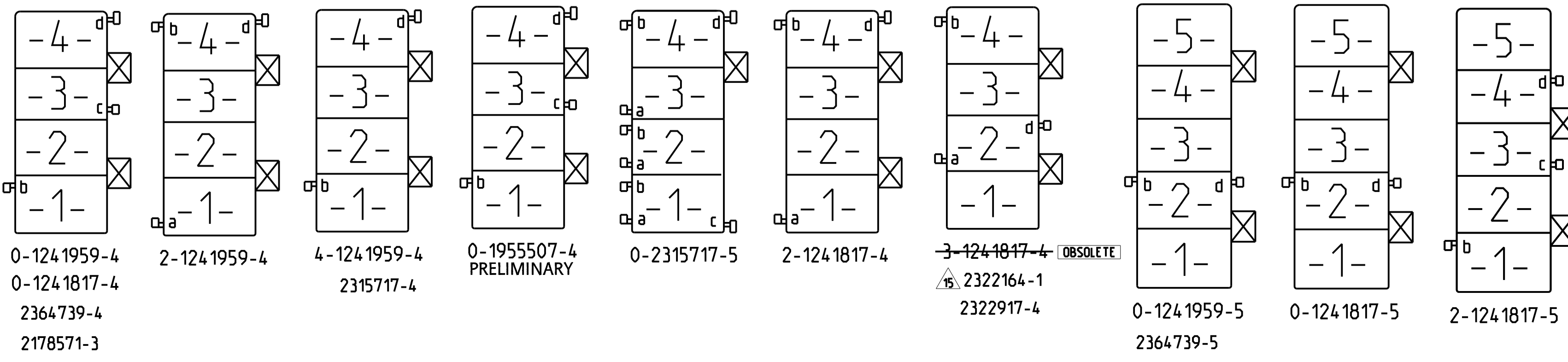


3 POSITION VARIANTS



4 POSITION VARIANTS

5 POSITION VARIANTS



| | | | | |
|---|--|--|---------------------|---|
| THIS DRAWING IS A CONTROLLED DOCUMENT. | | OWN: Kishor M. 18-10-07 | TE Connectivity | NAME: STANDARD TIMER HSG. RAST 5 MARK II Standard Timer Gehäuse RAST 5 Mark II |
| DIMENSIONS: mm | | CHK: K. MURIZ 18-10-07 | | PRODUCT SPEC: 108-18049 |
| TOLERANCES UNLESS OTHERWISE SPECIFIED: | | APVD: T. Klöpper 18-10-07 | | APPLICATION SPEC: - |
| 0 PLC ±0.2 1 PLC ±0.2 2 PLC ±0.2 3 PLC ±0.2 4 PLC ±0.2 ANGLES ±° | | MATERIAL: SEE TABLES, SHEETS PAGE 2 AND 3 OF 4 | | WEIGHT: - |
| SCALE: 5:1 | | Customer Drawing | | RESTRICTED TO: - |

X-ON Electronics

Largest Supplier of Electrical and Electronic Components

Click to view similar products for [Automotive Connectors](#) category:

Click to view products by [TE Connectivity](#) manufacturer:

Other Similar products are found below :

[003-018-000](#) [60403001](#) [60993906-B](#) [M902-2131](#) [M902-2161](#) [M902-2344](#) [72.330.1035.1](#) [73.353.4028.0](#) [F119300-B](#) [F166900](#) [F258300-B](#)
[F358300-B](#) [F407400](#) [F444110](#) [F487000](#) [F509500B-B](#) [827153-1](#) [8N1515-32-24P](#) [9-1326729-8](#) [925474-1](#) [928905-1](#) [964562-4](#) [968782-1](#)
[GT17SA-8DS-HU](#) [98891-1012](#) [98947-1016](#) [12004147](#) [12004475-L](#) [12010290](#) [12010309-B](#) [12015454](#) [12020219-B](#) [12041318-B](#) [12052225-](#)
[L](#) [12052466](#) [12064869](#) [12004327-B](#) [12015308](#) [12015384](#) [12015909](#) [1-21030-1](#) [12041254](#) [12041318](#) [12047946-B](#) [12047957](#) [12047957-L](#)
[12059473](#) [12066261](#) [12110546](#) [12110546-B](#)