

4

3

2

1

THIS DRAWING IS UNPUBLISHED. RELEASED FOR PUBLICATION 20
 © COPYRIGHT 20 Tyco Electronics AMP GmbH ALL RIGHTS RESERVED.

LOC	DIST	REVISIONS				
P	LTR	DESCRIPTION	DATE	DWN	APVD	
F	00	G	CLARIFICATIONS	30JUN2009	JT	YP
		H	13 WAS 11.9 MAX. UPDATE NOTE 5 AND FORMAT	20OCT2011	JT	YP

Top view of the floating bushing. Dimensions: G (total length), H (height), and two holes with diameter $\varnothing 3.05 \pm 0.13$.

Cross-section view of the bushing with a grommet. Dimensions: M (width of bushing), K (width of grommet), and 13 MAX (total length).

Side view of the bushing. Dimensions: A (total length), B (length of main body), C (length of mounting tabs), D (height of main body), and E (height of mounting tabs).


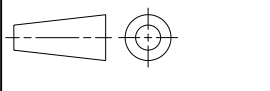
Detailed view of the bushing. Dimensions: 3.05 ± 0.25 (width of main body), 0.80 ± 0.13 (width of mounting tabs), and $\varnothing 2.18 \pm 0.12$ (hole diameter). Two holes are shown.

10.90	6.17	55.32	13.56	15.37	10.74	61.11	52.43	66.93	RECEPTACLE WITH #20 SOCKET CONTACTS	50	5	MDP308GF - 50S2	6-135760-0
10.90	6.17	57.71	10.72	12.55	7.90	63.50	54.84	69.32	RECEPTACLE WITH #20 SOCKET CONTACTS	37	4	MDP308GF - 37S2	9-135760-5
10.90	6.17	41.30	10.72	12.55	7.90	47.04	38.38	53.04	RECEPTACLE WITH #20 SOCKET CONTACTS	25	3	MDP308GF - 25S2	5-135760-9
10.90	6.17	27.51	10.72	12.55	7.90	33.32	24.66	39.14	RECEPTACLE WITH #20 SOCKET CONTACTS	15	2	MDP308GF - 15S2	5-135760-8
10.90	6.17	19.28	10.72	12.55	7.90	24.99	16.33	30.81	RECEPTACLE WITH #20 SOCKET CONTACTS	9	1	MDP308GF - 9S2	9-135760-4
M±0.25	K±0.13	G±0.25	H±0.25	E±0.38	D±0.13	C±0.13	B±0.13	A±0.38	DESCRIPTION	NB POS.	SIZE	OLD P/N	P/N 2

SCALE 6:1

SEE NOTES ON LAST SHEET

FLOATING BUSHING

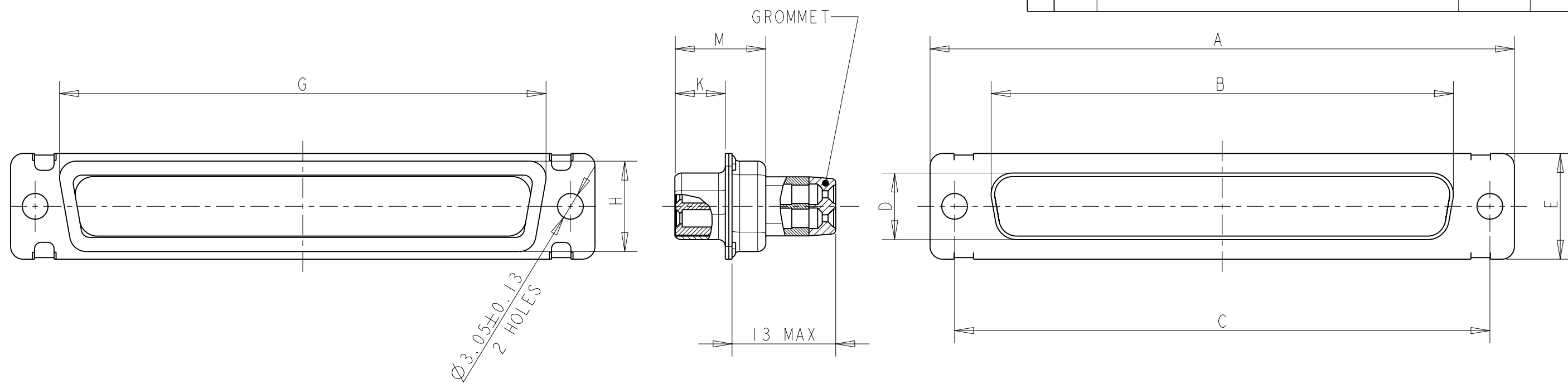
THIS DRAWING IS A CONTROLLED DOCUMENT.		DWN Thierry CORRIOU 21APR2004	 TE Connectivity		
DIMENSIONS: mm		CHK Yves PETRONIN 21APR2004			
TOLERANCES UNLESS OTHERWISE SPECIFIED:		APVD Miguel FURIO 21APR2004	NAME SUB D RECEPTACLE WITH WIRE BUSHING MDP TYPE		
		PRODUCT SPEC -	RESTRICTED TO		
MATERIAL NOTE 3		APPLICATION SPEC NOTE 7	SIZE A3	CAGE CODE 00779	DRAWING NO C-135760
FINISH NOTE 4		WEIGHT -	SCALE 2:1 SHEET 1 OF 5 REV H		
CUSTOMER DRAWING			SCALE 2:1 SHEET 1 OF 5 REV H		

1470-19 (3/11)

Pr o/ENGINEER DRAWING

THIS DRAWING IS UNPUBLISHED. RELEASED FOR PUBLICATION 20
 © COPYRIGHT 20 Tyco Electronics AMP GmbH ALL RIGHTS RESERVED.

LOC	DIST	REVISIONS				
P	LTR	DESCRIPTION	DATE	DWN	APVD	
F	00	-	SEE SHEET 1	-	-	



10.90	6.17	58.47	15.14	16.97	12.32	63.65	55.60	69.32	RECEPTACLE WITH #22 SOCKET CONTACTS	104	6	MDP308G - 66104S2	7-135760-9
10.90	6.17	55.32	13.56	15.37	10.74	61.11	52.43	66.93	RECEPTACLE WITH #22 SOCKET CONTACTS	78	5	MDP308G - 5078S2	9-135760-3
10.90	6.17	57.71	10.72	12.55	7.90	63.50	54.84	69.32	RECEPTACLE WITH #22 SOCKET CONTACTS	62	4	MDP308G - 3762S2	9-135760-1
10.90	6.17	41.30	10.72	12.55	7.90	47.04	38.38	53.04	RECEPTACLE WITH #22 SOCKET CONTACTS	44	3	MDP308G - 2544S2	6-135760-9
10.90	6.17	27.51	10.72	12.55	7.90	33.32	24.66	39.14	RECEPTACLE WITH #22 SOCKET CONTACTS	26	2	MDP308G - 1526S2	8-135760-8
10.90	6.17	19.28	10.72	12.55	7.90	24.99	16.33	30.81	RECEPTACLE WITH #22 SOCKET CONTACTS	15	1	MDP308G - 915S2	8-135760-6
10.90	6.17	55.32	13.56	15.37	10.74	61.11	52.43	66.93	RECEPTACLE WITH #20 SOCKET CONTACTS	50	5	MDP308G - 50S2	5-135760-7
10.90	6.17	57.71	10.72	12.55	7.90	63.50	54.84	69.32	RECEPTACLE WITH #20 SOCKET CONTACTS	37	4	MDP308G - 37S2	5-135760-6
10.90	6.17	41.30	10.72	12.55	7.90	47.04	38.38	53.04	RECEPTACLE WITH #20 SOCKET CONTACTS	25	3	MDP308G - 25S2	5-135760-5
10.90	6.17	27.51	10.72	12.55	7.90	33.32	24.66	39.14	RECEPTACLE WITH #20 SOCKET CONTACTS	15	2	MDP308G - 15S2	8-135760-3
10.90	6.17	19.28	10.72	12.55	7.90	24.99	16.33	30.81	RECEPTACLE WITH #20 SOCKET CONTACTS	9	1	MDP308G - 9S2	5-135760-4
M±0.25	K±0.13	G±0.25	H±0.25	E±0.38	D±0.13	C±0.13	B±0.13	A±0.38	DESCRIPTION	NB POS.	SIZE	OLD P/N	P/N 2

SEE NOTES ON LAST SHEET

THIS DRAWING IS A CONTROLLED DOCUMENT.

DIMENSIONS: mm

TOLERANCES UNLESS OTHERWISE SPECIFIED:

0 PLC	±0.13
1 PLC	±0.13
2 PLC	±0.13
3 PLC	±
4 PLC	±
ANGLES	±1
FINISH	NOTE 4

MATERIAL NOTE 3

APVD: Thierry CORRIOU, Yves PETRONIN, Miguel FURIO (21 APR 2004)

CHK: Yves PETRONIN (21 APR 2004)

DWN: Thierry CORRIOU (21 APR 2004)

PRODUCT SPEC: 1

APPLICATION SPEC: NOTE 7

WEIGHT: -

CUSTOMER DRAWING

STE TE Connectivity

NAME: SUB D RECEPTACLE WITH WIRE BUSHING MDP TYPE

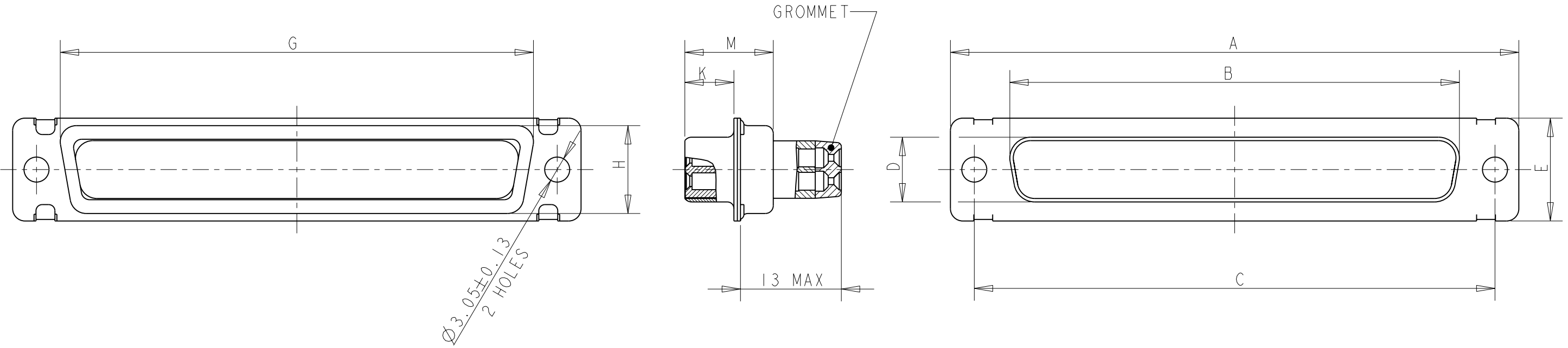
SIZE: A3, CAGE CODE: 00779, DRAWING NO: 135760

RESTRICTED TO: -

SCALE: 2:1, SHEET: 2 OF 5, REV: H

THIS DRAWING IS UNPUBLISHED. RELEASED FOR PUBLICATION 20
 © COPYRIGHT 20 Tyco Electronics AMP GmbH ALL RIGHTS RESERVED.

LOC	DIST	REVISIONS			
P	LTR	DESCRIPTION	DATE	DWN	APVD
F	00	-	SEE SHEET 1	-	-



10.90	6.17	58.47	15.14	16.97	12.32	63.65	55.60	69.32	RECEPTACLE, HIGH DENSITY	104	6	MDP308G - 66104S2 - 001	8-135760-0
10.90	6.17	55.32	13.56	15.37	10.74	61.11	52.43	66.93	RECEPTACLE, HIGH DENSITY	78	5	MDP308G - 5078S2 - 001	9-135760-2
10.90	6.17	57.71	10.72	12.55	7.90	63.50	54.84	69.32	RECEPTACLE, HIGH DENSITY	62	4	MDP308G - 3762S2 - 001	9-135760-0
10.90	6.17	41.30	10.72	12.55	7.90	47.04	38.38	53.04	RECEPTACLE, HIGH DENSITY	44	3	MDP308G - 2544S2 - 001	8-135760-9
10.90	6.17	27.51	10.72	12.55	7.90	33.32	24.66	39.14	RECEPTACLE, HIGH DENSITY	26	2	MDP308G - 1526S2 - 001	8-135760-7
10.90	6.17	19.28	10.72	12.55	7.90	24.99	16.33	30.81	RECEPTACLE, HIGH DENSITY	15	1	MDP308G - 915S2 - 001	8-135760-5
10.90	6.17	55.32	13.56	15.37	10.74	61.11	52.43	66.93	RECEPTACLE	50	5	MDP308G - 50S2 - 001	4-135760-5
10.90	6.17	57.71	10.72	12.55	7.90	63.50	54.84	69.32	RECEPTACLE	37	4	MDP308G - 37S2 - 001	4-135760-4
10.90	6.17	41.30	10.72	12.55	7.90	47.04	38.38	53.04	RECEPTACLE	25	3	MDP308G - 25S2 - 001	4-135760-6
10.90	6.17	27.51	10.72	12.55	7.90	33.32	24.66	39.14	RECEPTACLE	15	2	MDP308G - 15S2 - 001	4-135760-3
10.90	6.17	19.28	10.72	12.55	7.90	24.99	16.33	30.81	RECEPTACLE	9	1	MDP308G - 9S2 - 001	4-135760-2
M±0.25	K±0.13	G±0.25	H±0.25	E±0.38	D±0.13	C±0.13	B±0.13	A±0.38	DESCRIPTION	NB POS	SIZE	OLD P/N	P/N 2

SEE NOTES ON LAST SHEET

THIS DRAWING IS A CONTROLLED DOCUMENT.

DIMENSIONS: mm

TOLERANCES UNLESS OTHERWISE SPECIFIED:

0 PLC	±0.13
1 PLC	±0.13
2 PLC	±0.13
3 PLC	±
4 PLC	±
ANGLES	±1
FINISH	NOTE 4

MATERIAL NOTE 3

APVD: 21APR2004 Miguel FURIO

CHK: 21APR2004 Yves PETRONIN

DWN: 21APR2004 Thierry CORRIOU

PRODUCT SPEC:

APPLICATION SPEC: NOTE 7

WEIGHT: -

CUSTOMER DRAWING

STE TE Connectivity

NAME: SUB D RECEPTACLE WITH WIRE BUSHING MDP TYPE

SIZE: A3 CAGE CODE: 00779 DRAWING NO: C-135760 RESTRICTED TO: -

SCALE: 2:1 SHEET: 3 OF 5 REV: H

THIS DRAWING IS UNPUBLISHED.

RELEASED FOR PUBLICATION

20

© COPYRIGHT 20

Tyco Electronics AMP GmbH

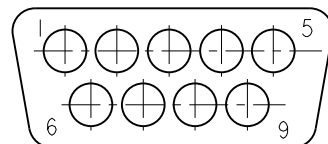
ALL RIGHTS RESERVED.

LOC F DIST 00

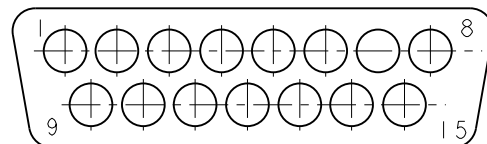
REVISIONS

P	LTR	DESCRIPTION	DATE	DWN	APVD
	-	SEE SHEET 1	-	-	-

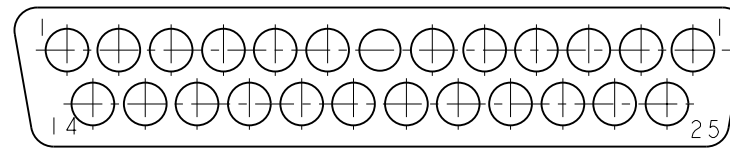
MATING FACE OF PLUG SHOWN CONFIGURATIONS FOR #20 CONTACTS



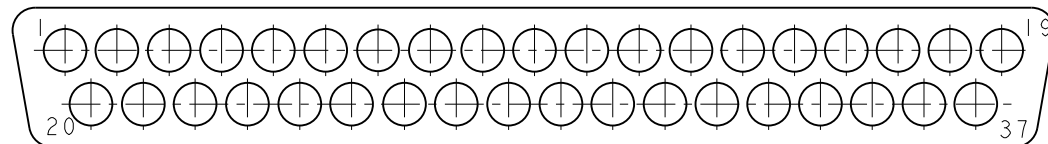
9 POSITION MS18273-1
SHELL SIZE 1



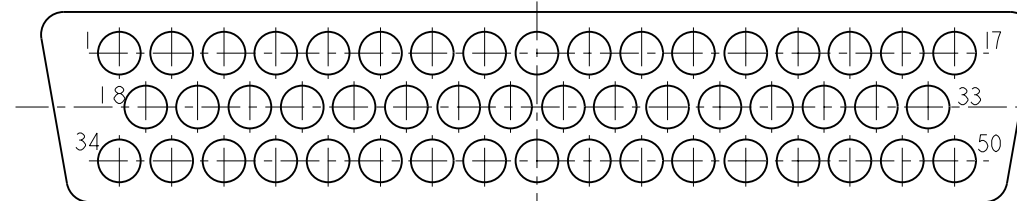
15 POSITION MS18274-1
SHELL SIZE 2



25 POSITION MS18275-1
SHELL SIZE 3

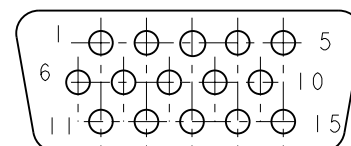


37 POSITION MS18276-1
SHELL SIZE 4

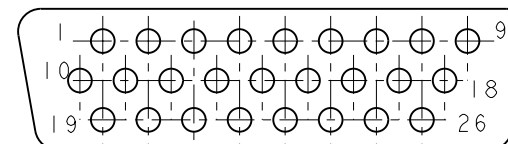


50 POSITION MS18277-1
SHELL SIZE 5

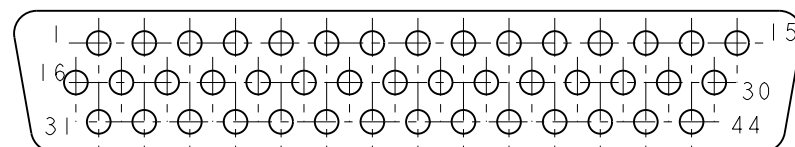
CONFIGURATIONS FOR #22 CONTACTS MATING FACE OF PLUG SHOWN



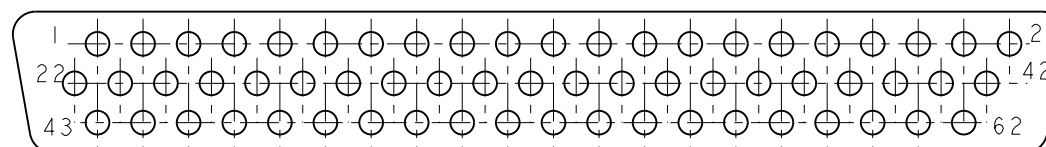
15 POSITION MS18273-2
SHELL SIZE 1



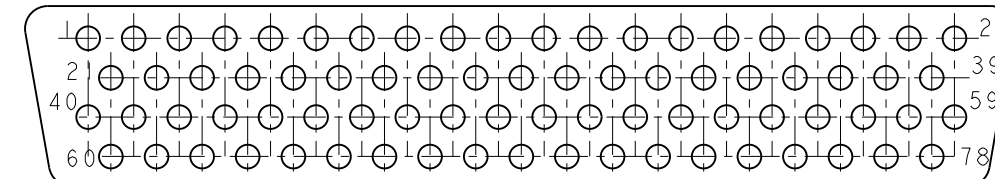
26 POSITION MS18274-2
SHELL SIZE 2



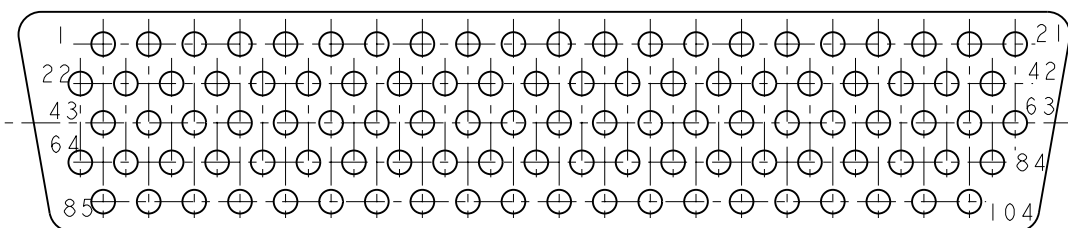
44 POSITION MS18275-2
SHELL SIZE 3



62 POSITION MS18276-2
SHELL SIZE 4


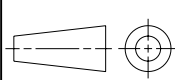


78 POSITION MS18277-2
SHELL SIZE 5



104 POSITION MS14004-1
SHELL SIZE 6

SEE NOTES ON LAST SHEET

THIS DRAWING IS A CONTROLLED DOCUMENT.		DWN 21APR2004 Thierry CORRIOU	 TE Connectivity
DIMENSIONS: mm		CHK 21APR2004 Yves PETRONIN	
TOLERANCES UNLESS OTHERWISE SPECIFIED:		APVD 21APR2004 Miguel FURIO	NAME SUB D RECEPTACLE WITH WIRE BUSHING MDP TYPE
		PRODUCT SPEC -	SIZE A3
MATERIAL NOTE 3		APPLICATION SPEC NOTE 7	CAGE CODE 00779
FINISH NOTE 4		WEIGHT -	DRAWING NO 135760
		CUSTOMER DRAWING	RESTRICTED TO -
		SCALE 1:1	SHEET 4 OF 5
			REV H

THIS DRAWING IS UNPUBLISHED. RELEASED FOR PUBLICATION 20

© COPYRIGHT 20 Tyco Electronics AMP GmbH ALL RIGHTS RESERVED.

LOC	DIST	REVISIONS					
		P	LTR	DESCRIPTION	DATE	DWN	APVD
F	00		-	SEE SHEET 1	-	-	-

1 THIS CONNECTOR MEETS THE REQUIREMENTS OF MIL-DTL-24308

2 PART NUMBER FOR ORDERING

3- MATERIALS :

- SHELL : STEEL,CD PLATED
- HOUSING : PBT,GLASS FILLED,UL94VO
- RETAINING CLIP : STAINLESS STEEL
- GROMMET AND INTERFACIAL SEAL : FLUOROSILICONE ELASTOMER
- SEALING COMPOUND : RTV
- CONTACT:COPPER ALLOY,GOLD PLATED OVER NICKEL

4- CABLES EXTERNAL DIAMETER FOR CONTACTS #20 : $\varnothing 0.85$ to $\varnothing 1.83$
 CABLES EXTERNAL DIAMETER FOR CONTACTS #22 : $\varnothing 1.37$ MAX

5- CONNECTOR MARKING:

- . MANUFACTURER IDENTIFICATION
- . PART NUMBER
- . DATE-CODE

6- INSERT ARRANGEMENT PER MIL-DTL-24308


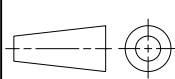
7- FOR CONTACT CRIMPING INSTRUCTION SHEET REFER TO SPEC IS 7516
 FOR CONTACT INSTALATION/ REMOVAL INSTRUCTION SHEET REFER TO SPEC IS 7508

8- #20 SOCKET CRIMP CONTACT P/N: 205090-1
 #20 PIN CRIMP CONTACT P/N: 205089-1

#22D SOCKET CRIMP CONTACT P/N: 204351-1
 #22D PIN CRIMP CONTACT P/N: 204370-2

9- INSERTION/EXTRACTION TOOL P/N: 91067-2
 INSERTION/EXTRACTION TOOL P/N: 91067-1

10- CRIMP WITH HAND TOOL: 601966-1+ DIE INSERT : 601966-4
 CRIMP WITH HAND TOOL: M22520/02-01 + POSITIONNER : M22520/02-06

THIS DRAWING IS A CONTROLLED DOCUMENT.		DWN Thierry CORRIOU 21APR2004	 TE Connectivity		
DIMENSIONS: mm		CHK Yves PETRONIN 21APR2004			
TOLERANCES UNLESS OTHERWISE SPECIFIED:		APVD Miguel FURIO 21APR2004	NAME SUB D RECEPTACLE WITH WIRE BUSHING MDP TYPE		
		PRODUCT SPEC -	RESTRICTED TO		
0 PLC ±0.13 1 PLC ±0.13 2 PLC ±0.13 3 PLC ± 4 PLC ± ANGLES ±1		APPLICATION SPEC NOTE 7	SIZE A3	CAGE CODE 00779	DRAWING NO C-135760
MATERIAL NOTE 3	FINISH NOTE 4	WEIGHT -	SCALE 1:1		
CUSTOMER DRAWING			SHEET 5 OF 5		REV H

X-ON Electronics

Largest Supplier of Electrical and Electronic Components

Click to view similar products for [TE Connectivity](#) manufacturer:

Other Similar products are found below :

[D38999/24FJ4AN](#) [570416-000](#) [CLTEQ-M81CE-SSRELAY-4-20V](#) [4-1195131-0](#) [650069-000](#) [SMD100-2](#) [358838-000](#) [CB-1022B-78](#)
[RM707012](#) [RP410012](#) [MMS42](#) [1-640426-8](#) [2EDL4CM](#) [DTS20W19-11PD-3028-LC](#) [RM202615](#) [NC6-P104-06](#) [MSPS103B](#) [DTS26F21-](#)
[41HE-LC](#) [DTS26F21-41AE](#) [DTS26F21-41PE-LC](#) [DTS26F21-11SE-3028-LC](#) [30DCB6](#) [1932144-1](#) [293545-4](#) [LVR125S](#) [MS27466T25F4PB](#)
[CKB-38-78010](#) [TR04AI-TINELLOCKRING](#) [1206SFF150F/63-2](#) [D38999/20JB35HA](#) [TE1500A2R2J](#) [D38999/20WC8BB](#) [DTS24F19-11SC-](#)
[3028-LC](#) [D38999/24WG11HA](#) [D38999/24WG11HN](#) [MS27467T21F11H](#) [DJT16E21-11HA](#) [MS27467T21F35J](#) [MS27467T21F11J](#)
[MS27467T21F16H-LC](#) [MS27467T21F35H](#) [MS27467T21F41H-LC](#) [1206SFH150F/24-2](#) [RP330024](#) [DJT16E21-11PA-LC](#) [DJT16E21-11HA-](#)
[LC](#) [DJT16E21-11AA](#) [MS27467T21B11JA](#) [DJT16E21-11JA](#) [MS27467T21B11JA-LC](#)