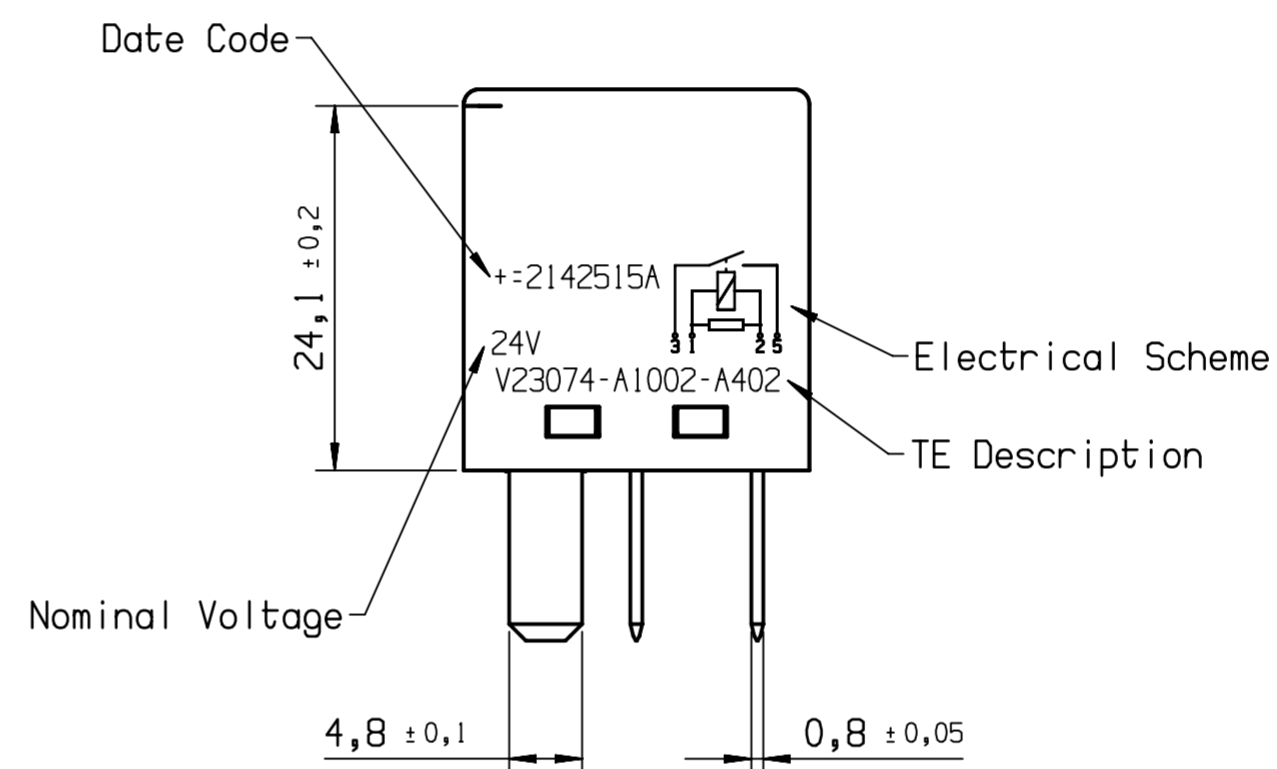
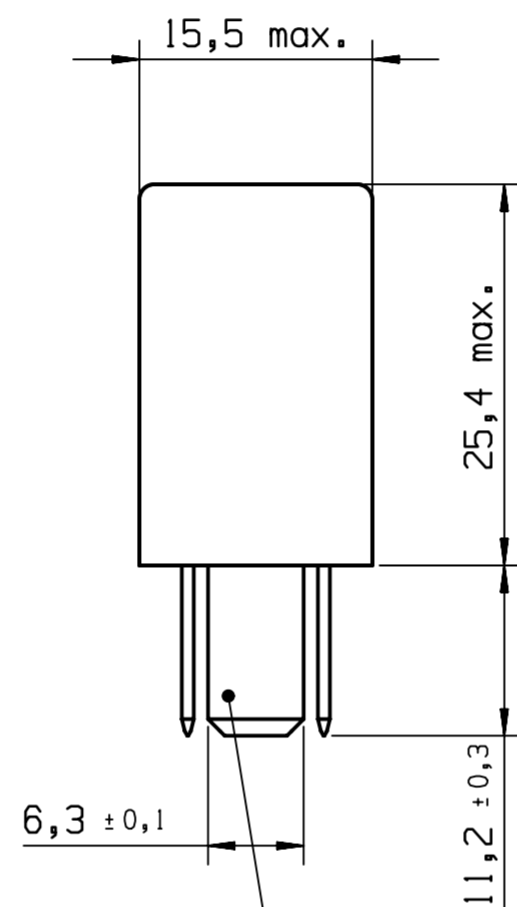
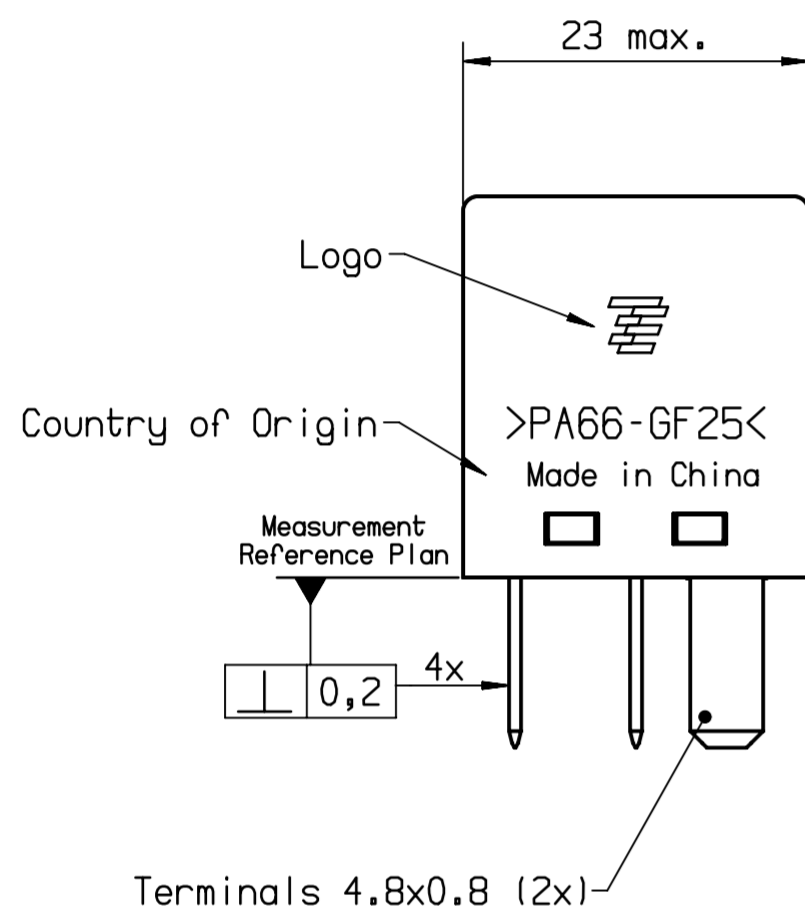
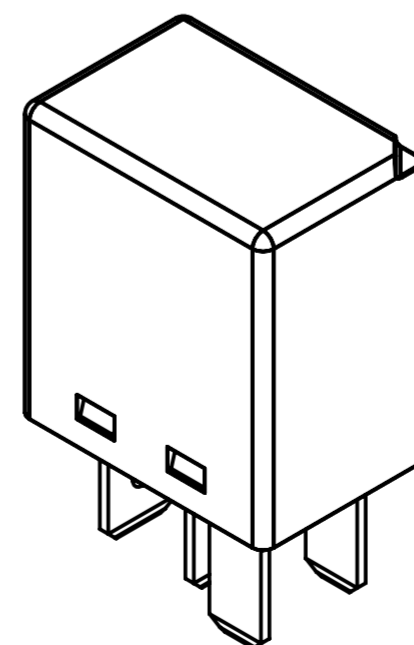
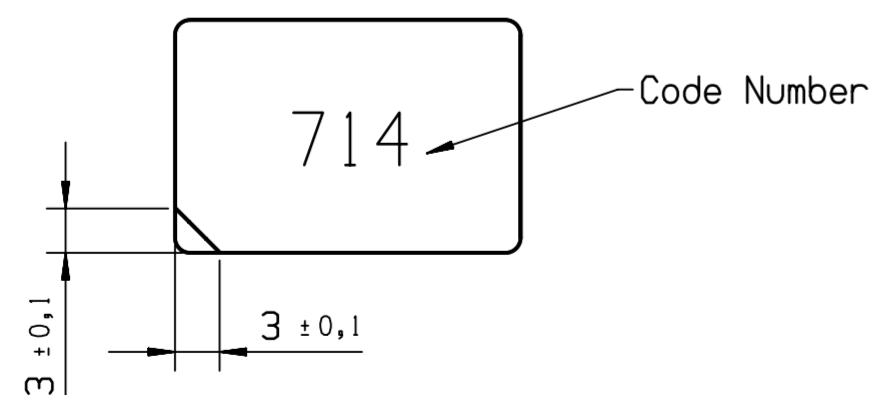


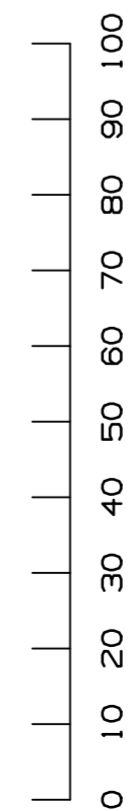
Positional Tolerance: $\oplus 0,15$



View From the Topside (Rotated 180°)



TE PN	TE Description
8-1393292-9	V23074-A1002-A402



PROPRIETARY THE REPRODUCTION, TRANSMISSION OR USE OF THIS DOCUMENT OR IT'S CONTENTS IS NOT PERMITTED WITHOUT EXPRESSED WRITTEN AUTHORITY. OFFENDERS WILL BE LIABLE FOR ALL DAMAGES. ALL RIGHTS, INCLUDING RIGHTS CREATED BY REGISTERED PATENT(S) GRANTED FOR A UTILITY MODEL OR DESIGN, ARE RESERVED.				CHANGES TO THIS DRAWING MUST BE DONE ONLY IN CAD		PAPER SIZE A2	
APPLICABLE SPEC.:				FINISH			
DIMENSIONS UNLESS SPECIFIED OTHERWISE Tol. ISO 8015 ISO 2768 - v1				DIMENSIONS IN MM		SCALE 2:1; 5:1 WEIGHT 18g	
MATERIAL				PART NAME			
DWN. 18MAR2016 HFrancisco				Dimension Drawing Micro A			
APP.				DWG NO.			
REV.				V23074-A1002-A402			
A3 ECO-21-004021 26MAR2021 HMF				LOCATION PE Evora			
A2 ECO-21-001196 27JAN2021 HMF				DWG NO.			
A1 ECO-17-001381 01FEB2017 HMF				V23074-A1002-A402			
A Initial Version 28OCT2016 HMF				SHT. 1 OF 1			
REV. CHANGE ORDER DATE APP.				CLASS 1 CUSTOMER DRAWING			



X-ON Electronics

Largest Supplier of Electrical and Electronic Components

Click to view similar products for [Automotive Relays](#) category:

Click to view products by [TE Connectivity](#) manufacturer:

Other Similar products are found below :

[7-1414968-8](#) [7-1617345-6](#) [9-1617516-5](#) [1393204-2](#) [1393302-3](#) [1432872-1](#) [AR4-15F11-S01](#) [AR4-15H11](#) [1617518-5](#) [2-1617057-2](#) [CB1F-M-12V-H15](#) [898H-1AH-D-001-12VDC](#) [AR4-11F11](#) [AR4-15F11](#) [AR4-41F11](#) [41FZ-200ACG-BSL](#) [5-1616920-2](#) [5407-0011-HS](#) [CB1AF-M-12V-H59](#) [5-1617346-8](#) [1-1617059-9](#) [V23134A1052X299](#) [6-1393298-2](#) [6-1393302-1](#) [897H-1AH-D-R1-U01-12VDC](#) [871-1A-S-12VDC](#) [V23086-R1851-A502](#) [RE031005](#) [1393204-1](#) [AZ9731-1C-12DC4](#) [AZ979-1A-24D](#) [V23086R1802A803](#) [V23134A 53C643](#) [1-1393387-8](#) [HFKC/012-2ZST](#) [HFV4/012-1H4SGR](#) [JQC-3FF-M/012-1ZS\(555\)](#) [NVF4-3AZ80aDC24V1.8](#) [NVF4-1CZ30a1DC12V1.6_\(40/30\)](#) [NVFMCS20DC12V1.5aR](#) [NVF4-1AZ40a1DC12V1.6](#) [NVF4-3AZ80aDC12V1.8](#) [2-1393302-3](#) [7-1904094-1](#) [8-1393292-9](#) [2383365-1](#) [ACJ1112J](#) [1-1414632-0.](#) [V23134J2053X194](#) [VF7-11F11-S01](#)