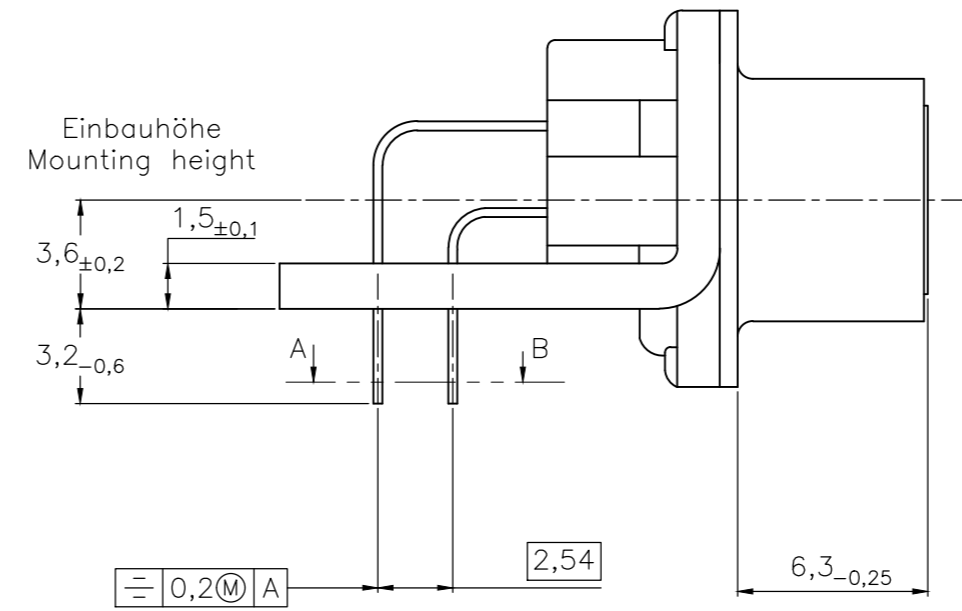
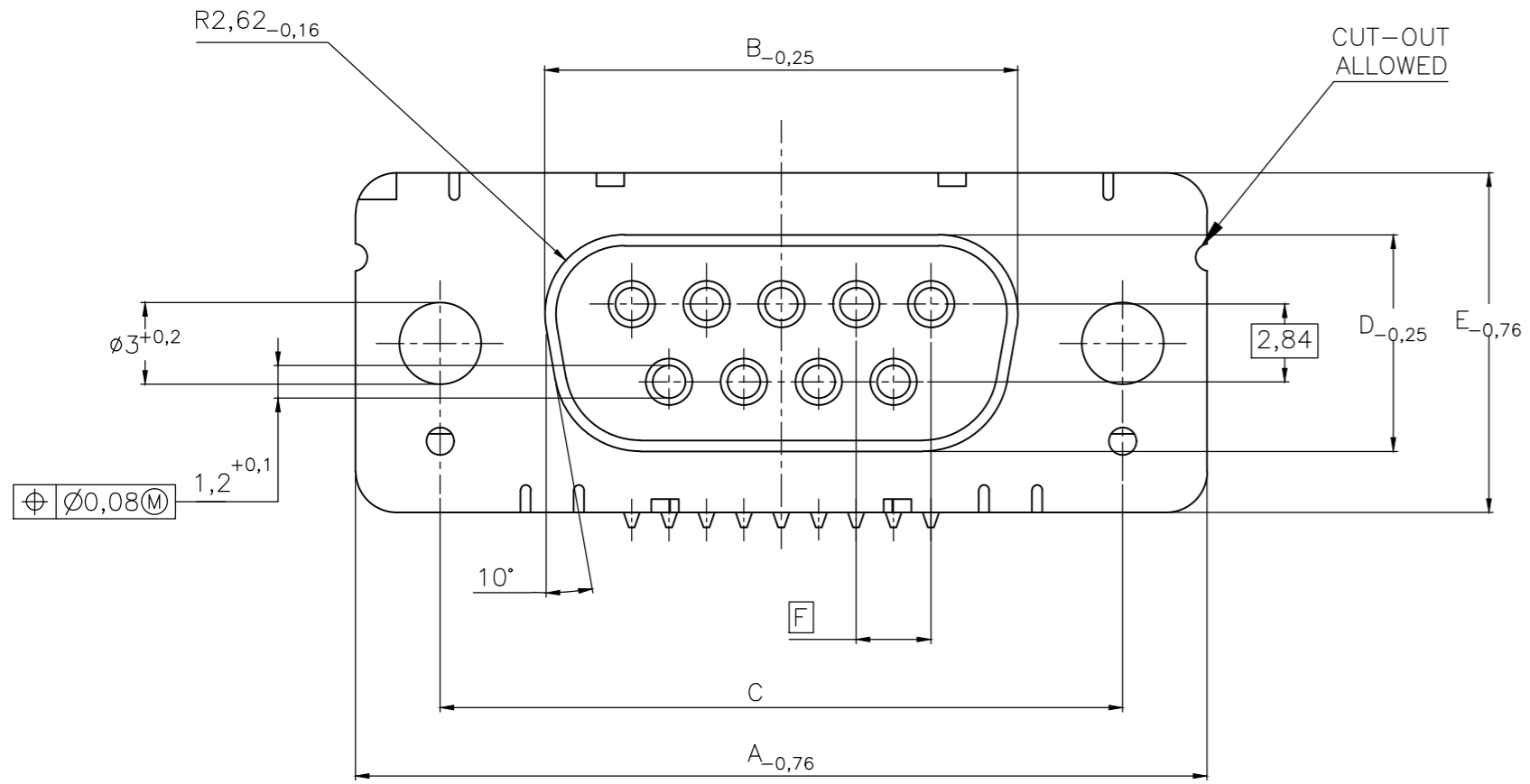


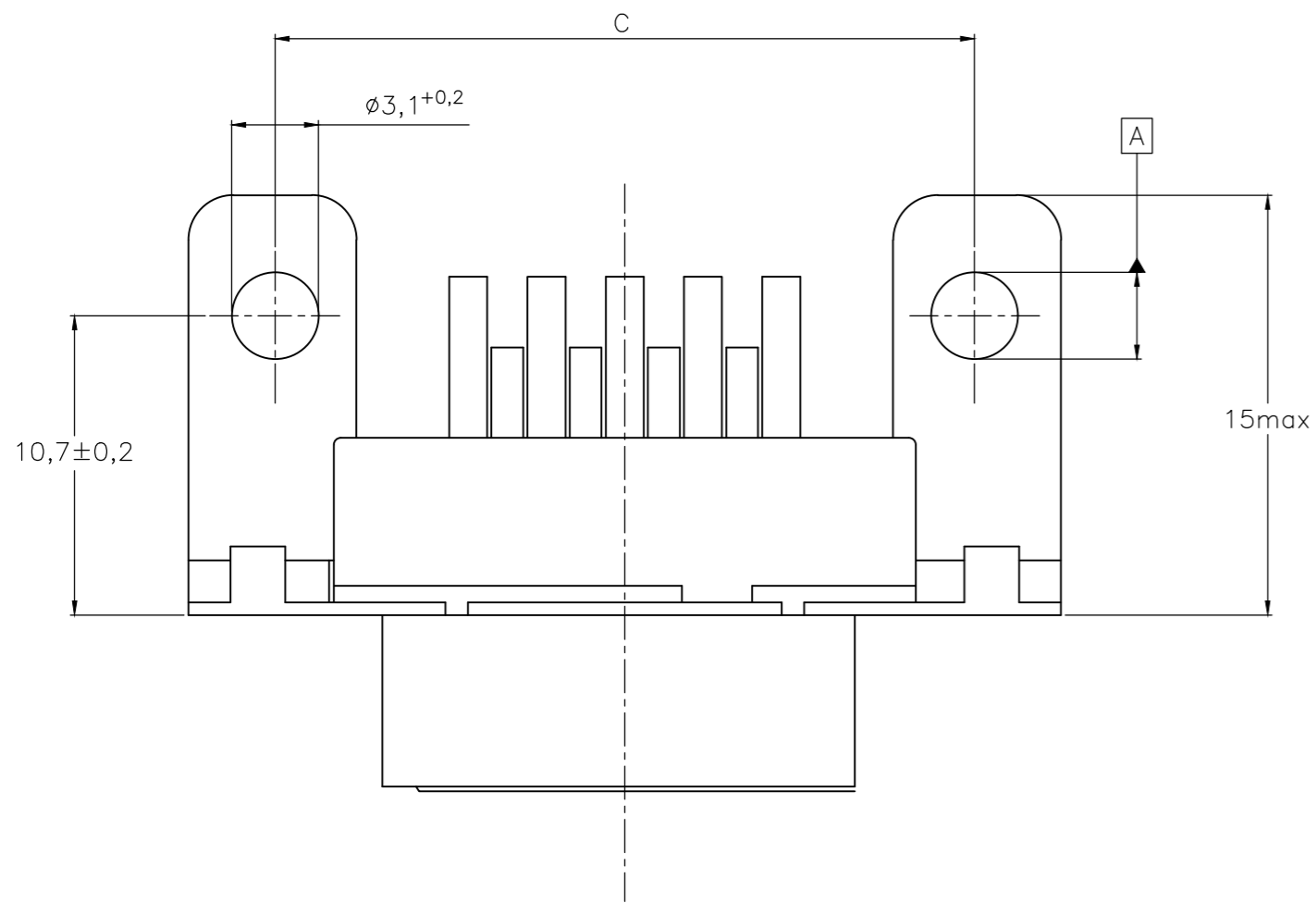
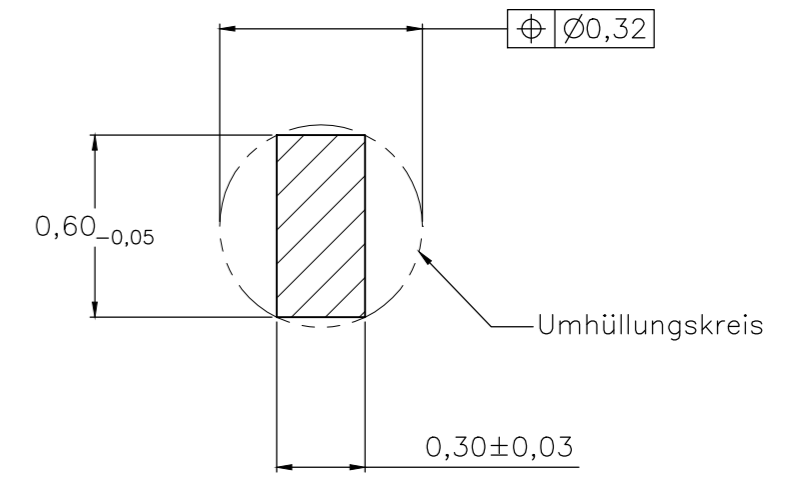
THIS DRAWING IS UNPUBLISHED. RELEASED FOR PUBLICATION
 © COPYRIGHT - By - ALL RIGHTS RESERVED.

| REVISIONS | | | | | |
|-----------|-----|---------------------------|-----------|-----|------|
| P | LTR | DESCRIPTION | DATE | DWN | APVD |
| H | | REVISED PER ECO-17-017772 | 25MAY2018 | AP | DG |

Standardausführung: V23529-Bx121-Bxxx-+
 Standardversion



Schnitt AB des Lötanschlusses
 Cross-section AB of solderpin
 (20:1)



| Ordercode Sachnr | Contacts Polzahl | Mass/Dimension | | | | | |
|---------------------|---------------------|----------------|-------|--|------|-------|------|
| | | A | B | C | D | E | F |
| ..-Bx09-+ | 09 | 31,19 | 16,46 | 25,0 $\begin{smallmatrix} +0,12 \\ -0,13 \end{smallmatrix}$ | 8,02 | 12,93 | 2,74 |
| ..-Bx15-+ | 15 | 39,52 | 24,79 | 33,3 $\begin{smallmatrix} +0,15 \\ -0,1 \end{smallmatrix}$ | | | 2,74 |
| ..-Bx25-+ | 25 | 53,42 | 38,5 | 47,04 $\begin{smallmatrix} +0,13 \\ -0,13 \end{smallmatrix}$ | | | 2,76 |
| ..-Bx37-+ | 37 | 69,7 | 54,96 | 63,5 $\begin{smallmatrix} +0,13 \\ -0,13 \end{smallmatrix}$ | | | 2,76 |

Anforderungsstufe/Performance level ¹⁾

1) nach DIN 41652T.2 und T.4
 according to DIN 41652 T.2 AND T.4

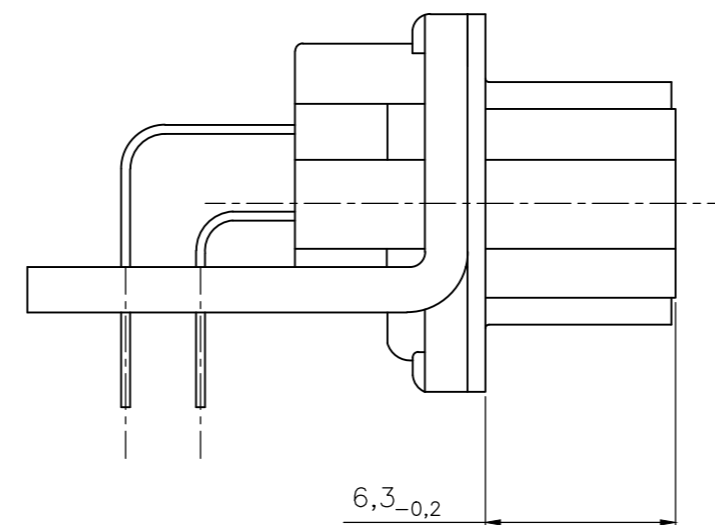
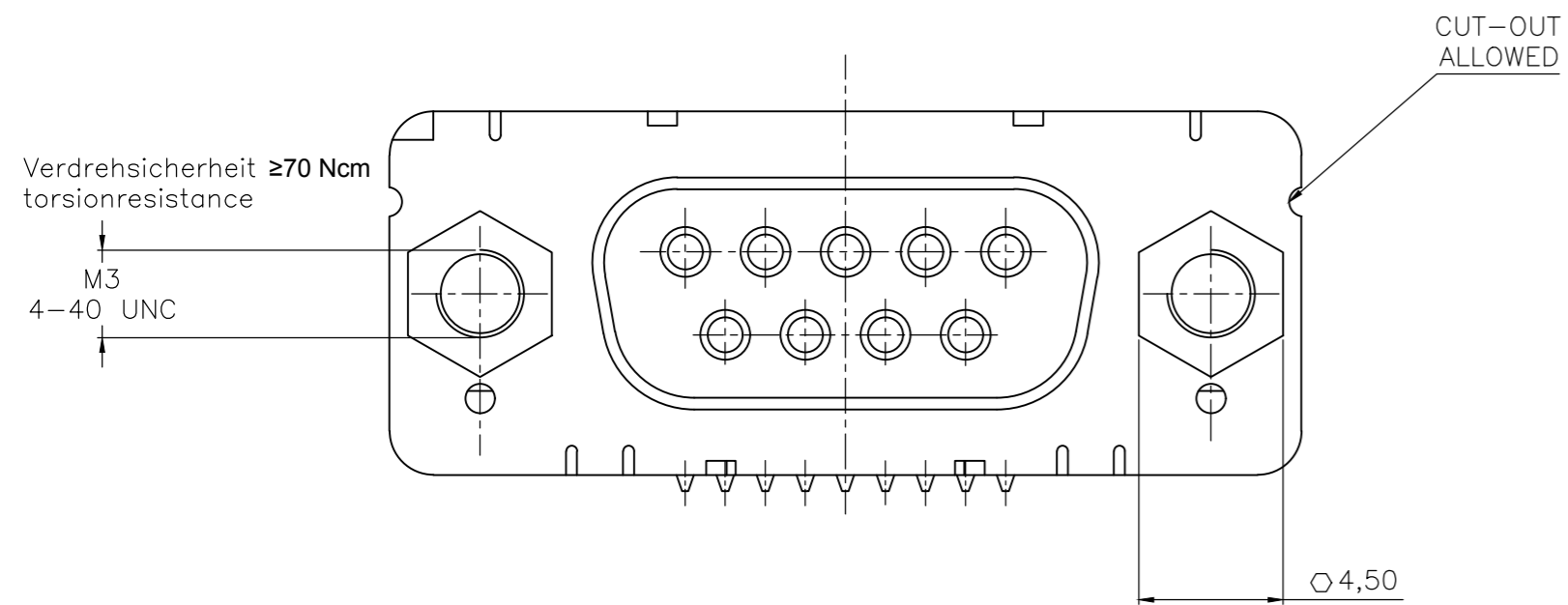
OLD PN: V23529-B****-B***-*-7427

| | | | | | |
|--|--------|------------------------|---------|---|---------------|
| THIS DRAWING IS A CONTROLLED DOCUMENT. | | DWN GNANI JADAV A E | 07JAN10 | STE TE Connectivity | |
| DIMENSIONS: mm | | CHK K. MALCZYK | | | |
| TOLERANCES UNLESS OTHERWISE SPECIFIED: | | APVD K. MALCZYK | | NAME | |
| 0 PLC ± - | | PRODUCT SPEC | | Buchsenleiste ¹⁾ | |
| 1 PLC ± - | | APPLICATION SPEC | | Einbauhöhe 3,6 mm (Variante 1) | |
| 2 PLC ± - | | | | Socketconnector-90° solderversion (Type1) ¹⁾ | |
| 3 PLC ± - | | | | SIZE | RESTRICTED TO |
| 4 PLC ± - | | | | CAGE CODE | |
| ANGLES ± - | | | | DRAWING NO | |
| MATERIAL | FINISH | WEIGHT | 0 | A2 00779 | 1-1393480-7 |
| | | CUSTOMER DRAWING | | SCALE | 2:1 |
| | | | | SHEET | 1 of 6 |
| | | | | REV | H |

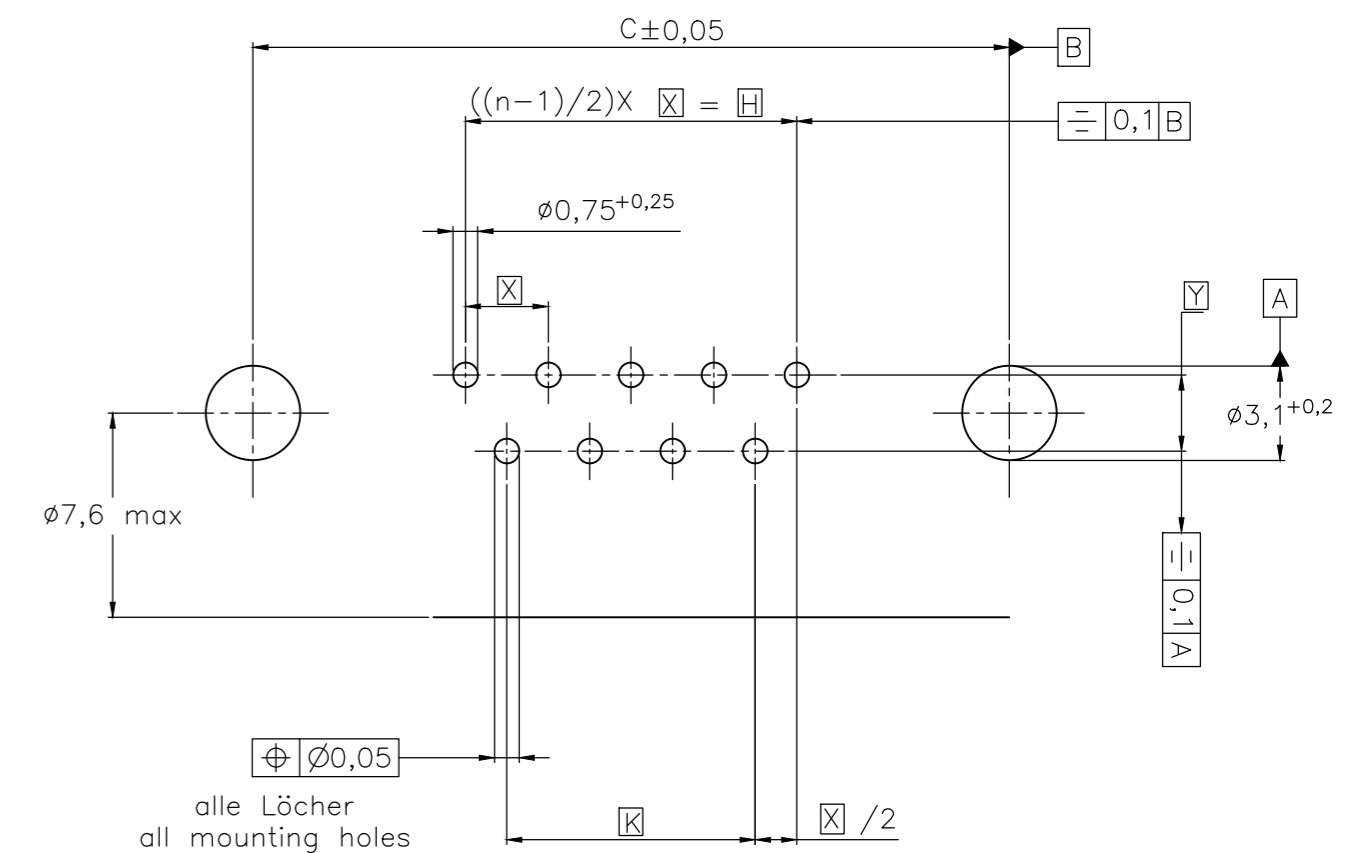
THIS DRAWING IS UNPUBLISHED. RELEASED FOR PUBLICATION
 © COPYRIGHT - By - ALL RIGHTS RESERVED.

| REVISIONS | | | | |
|-----------|-----|-------------|------|------|
| P | LTR | DESCRIPTION | DATE | APVD |
| - | - | SEE SHEET 1 | - | - |

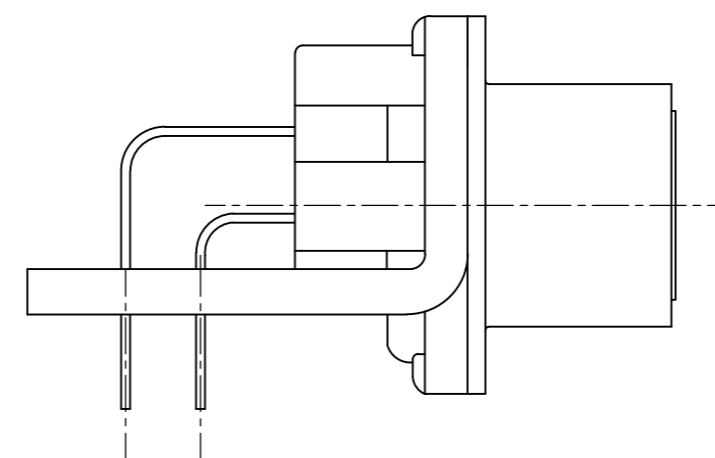
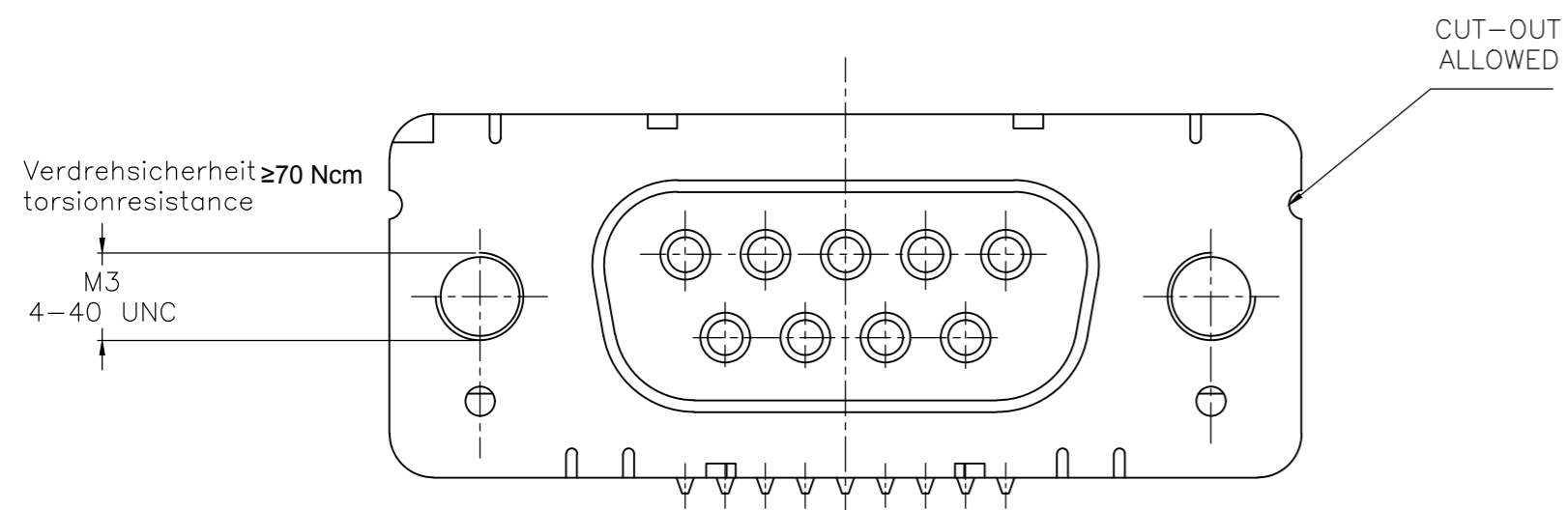
mit Gewindebolzen: M3 V23529-Bxx24-Bxxx-+
 with threadlock 4-40 UNC V23529-Bxx25-Bxxx-+



Leiterplattenbohrung
PCB hole pattern



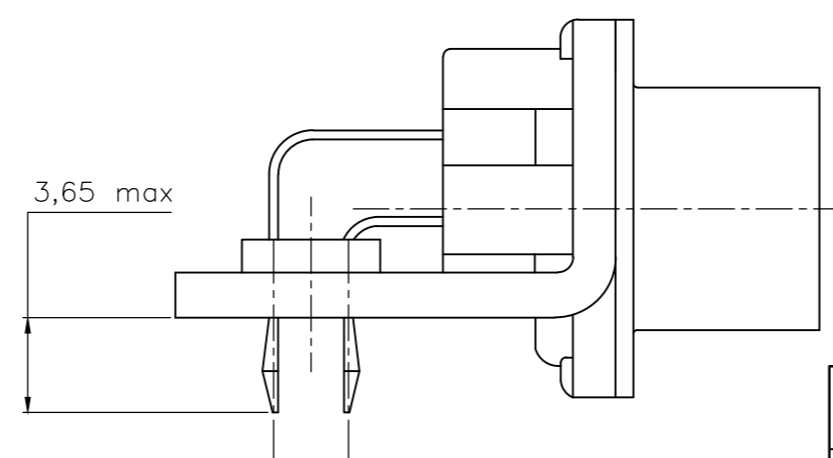
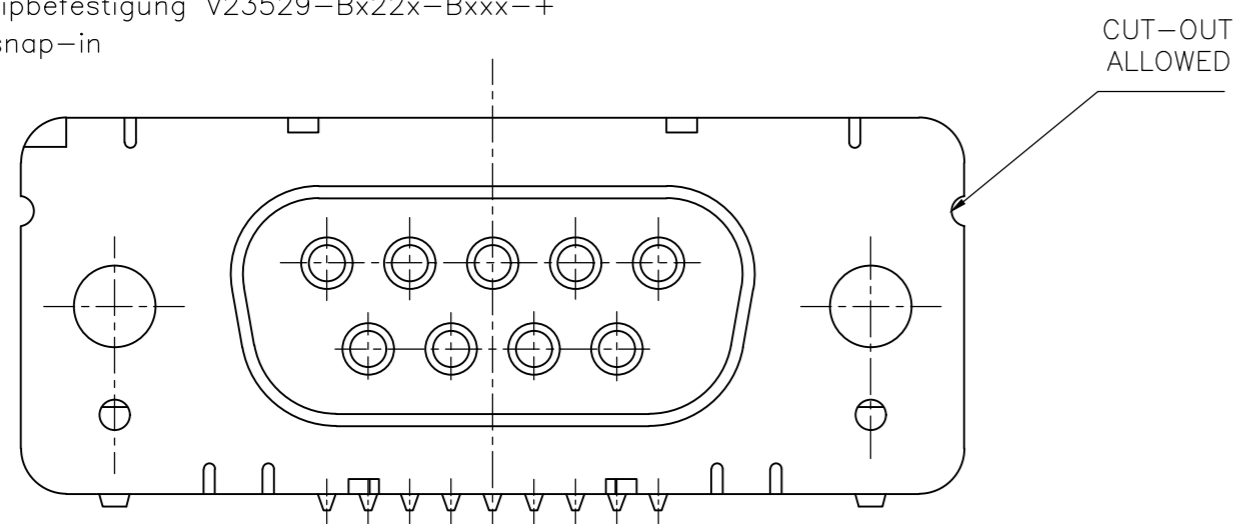
mit Gewinde : M3 V23529-Bxx22-Bxxx-+
 with thread 4-40 UNC V23529-Bxx23-Bxxx-+



| Mass Dimension | Polzahl n Number of contacts n | | | |
|-------------------|-----------------------------------|-------|-------|-------|
| | 9 | 15 | 25 | 37 |
| C | 25 | 33,3 | 47,04 | 63,5 |
| H | 10,96 | 19,18 | 33,12 | 49,68 |
| K | 8,22 | 16,44 | 30,36 | 46,92 |
| X | 2,74 | 2,74 | 2,76 | 2,76 |
| Y | 2,54 | | | |

1) nach DIN 41652.T.2 und T.4
 according to DIN 41652 T.2 AND T.4

mit clipbefestigung V23529-Bx22x-Bxxx-+
 with snap-in



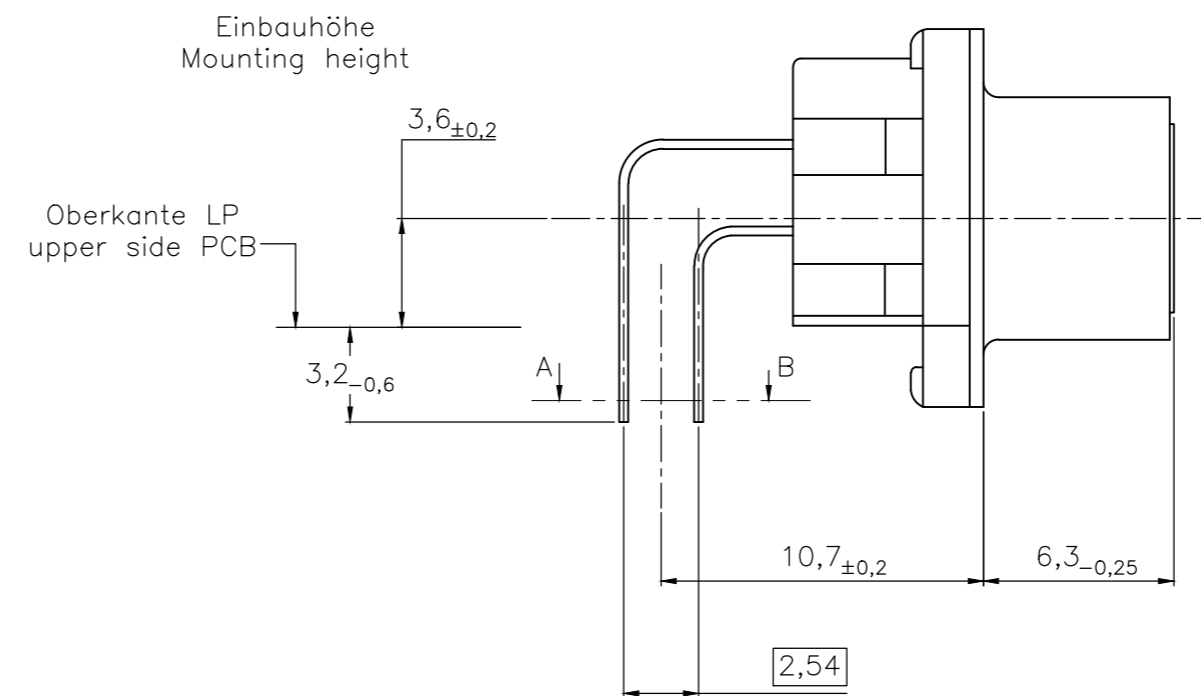
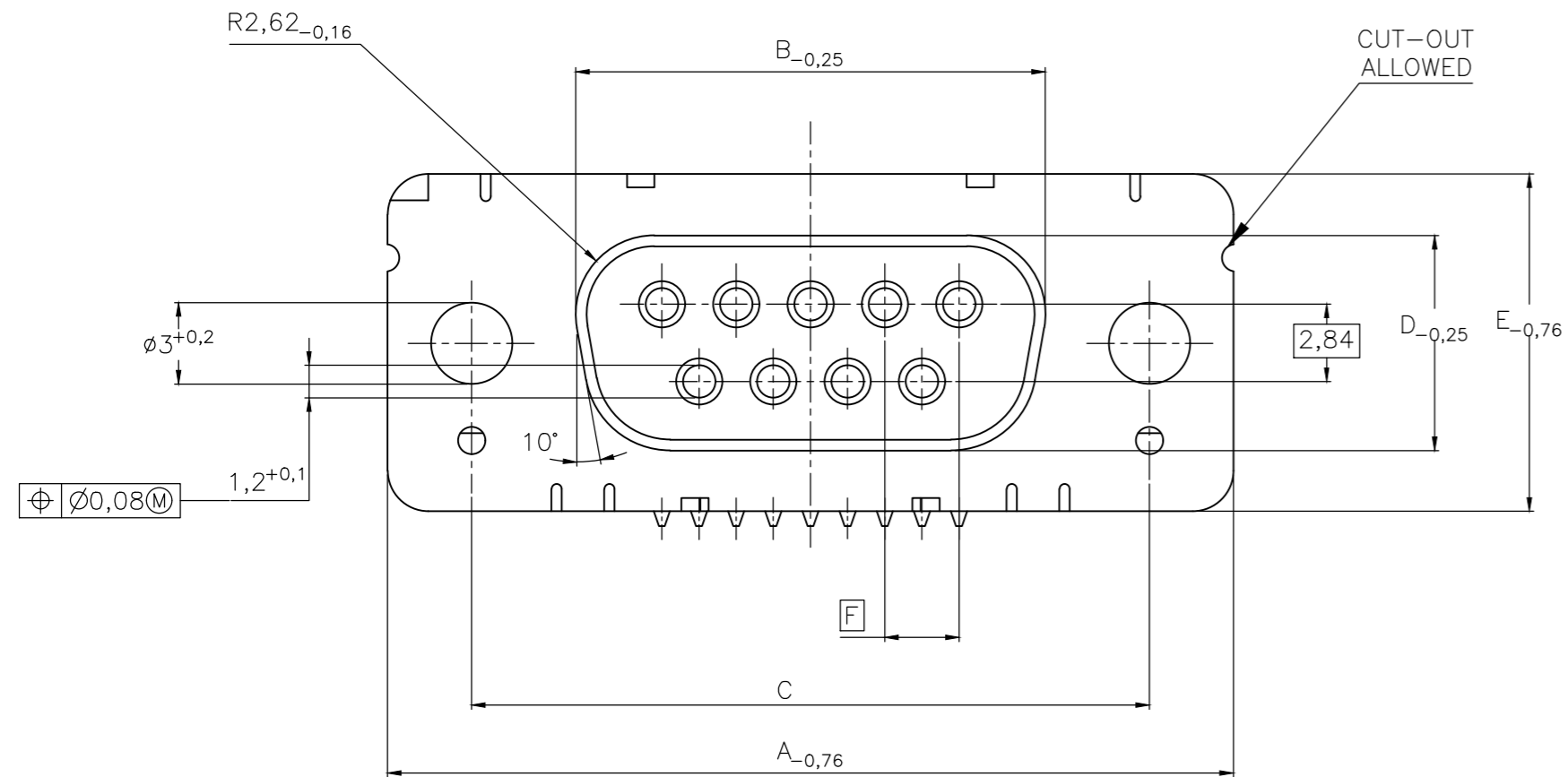
LP-Dicke $1,6 \pm 0,13$ mm, Loch $\text{Ø}3,1^{+0,2}$
 PC-board-thickness $1,6 \pm 0,13$ mm, Hole $\text{Ø}3,1^{+0,2}$

OLD PN: V23529-B****-B***-*-7427

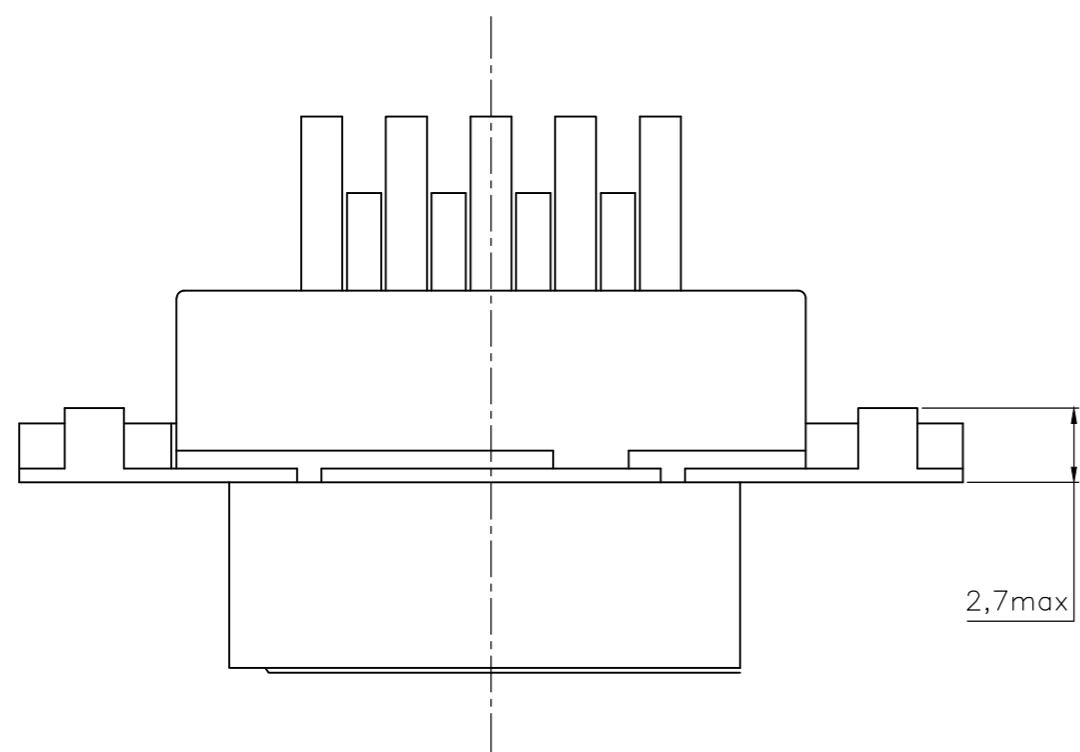
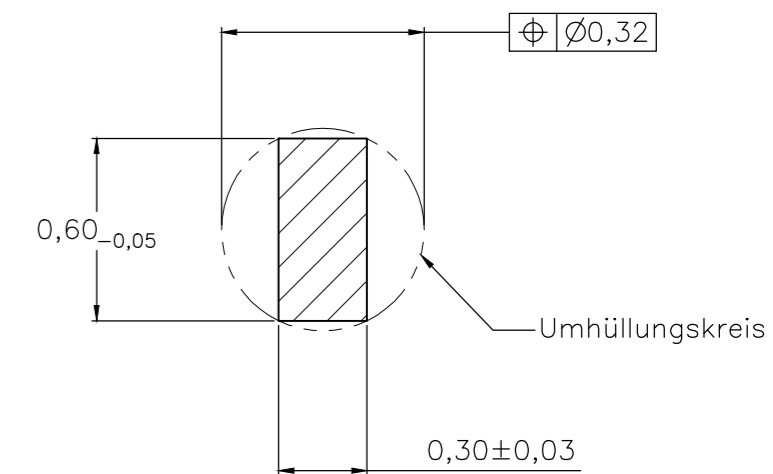
| | | | | |
|--|--|-----------------------------------|---|---------------|
| THIS DRAWING IS A CONTROLLED DOCUMENT. | | DWN GNANI JADAV A E 07JAN10 | | |
| DIMENSIONS: mm | | CHK K. MALCZYK | | |
| TOLERANCES UNLESS OTHERWISE SPECIFIED: | | APVD K. MALCZYK | Buchsenleiste ¹⁾ Einbauhöhe 3,6 mm (Variante 1) Socketconnector-90° solder version (Type1) ¹⁾ | |
| | | PRODUCT SPEC | SIZE | RESTRICTED TO |
| MATERIAL | | APPLICATION SPEC | CAGE CODE | DRAWING NO |
| FINISH | | WEIGHT | A2 00779 | C=1-1393480-7 |
| | | CUSTOMER DRAWING | SCALE | SHEET |
| | | | 2:1 | 2 of 6 |
| | | | | REV H |

| REVISIONS | | | | | |
|-----------|-----|-------------|------|-----|------|
| P | LTR | DESCRIPTION | DATE | DWN | APVD |
| - | - | SEE SHEET 1 | - | - | - |

Standardausführung ohne Winkel: V23529-B50x1-Bxxx-+
 Standardversion without bracket



Schnitt AB des Lötanschlusses
 Cross-section AB of solderpin
 (20:1)



| Ordercode Sachnr | Contacts Polzahl | Mass/Dimension | | | | | |
|---------------------|---------------------|----------------|-------|--|------|-------|------|
| | | A | B | C | D | E | F |
| ..-Bx09-+ | 09 | 31,19 | 16,46 | 25,0 $\begin{smallmatrix} +0,12 \\ -0,13 \end{smallmatrix}$ | 8,02 | 12,93 | 2,74 |
| ..-Bx15-+ | 15 | 39,52 | 24,79 | 33,3 $\begin{smallmatrix} +0,15 \\ -0,1 \end{smallmatrix}$ | | | 2,74 |
| ..-Bx25-+ | 25 | 53,42 | 38,5 | 47,04 $\begin{smallmatrix} +0,13 \\ -0,13 \end{smallmatrix}$ | | | 2,76 |
| ..-Bx37-+ | 37 | 69,7 | 54,96 | 63,5 $\begin{smallmatrix} +0,13 \\ -0,13 \end{smallmatrix}$ | | | 2,76 |

Anforderungsstufe/Performance level ¹⁾

1) nach DIN 41652 T.2 und T.4
 according to DIN 41652 T.2 AND T.4

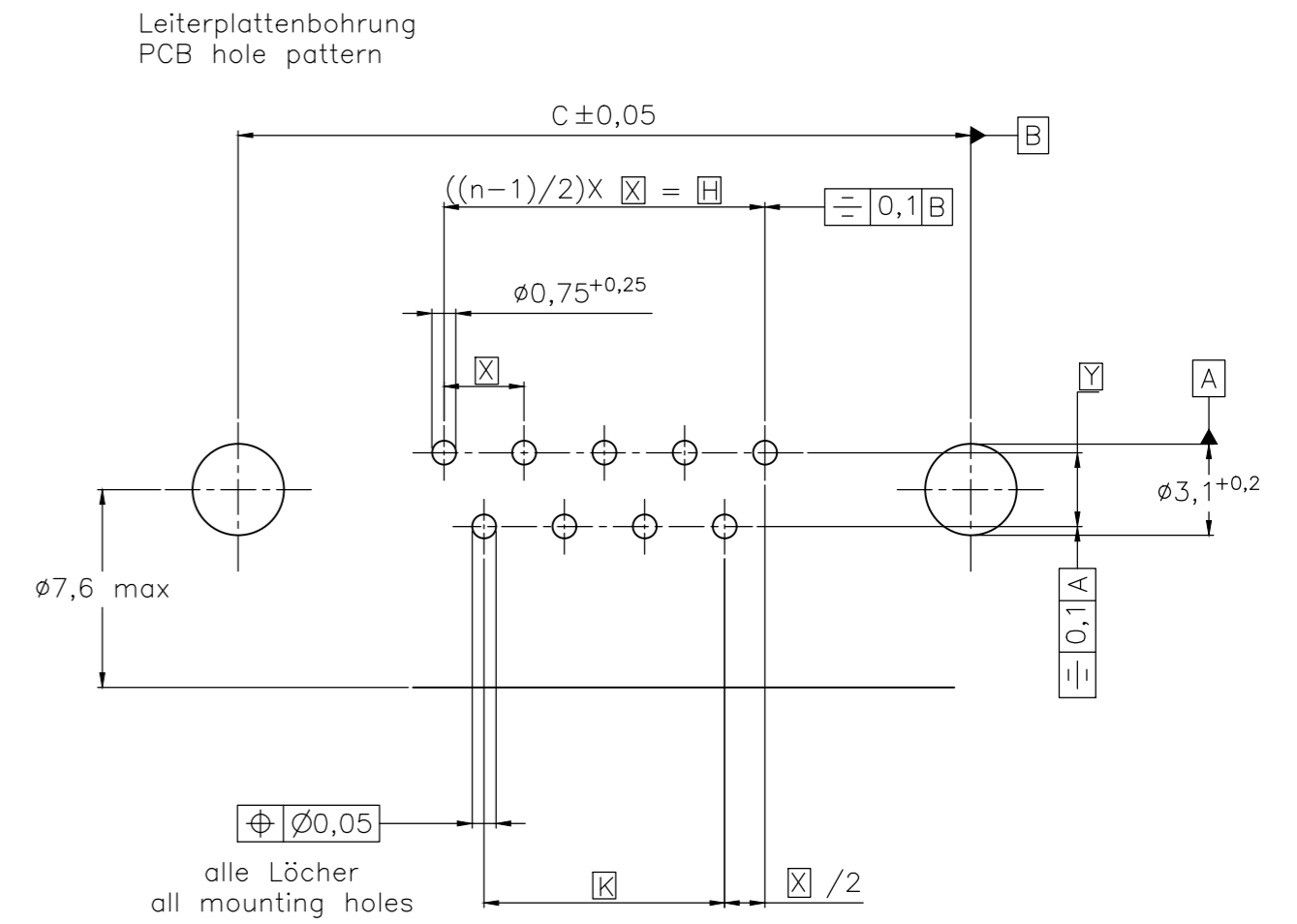
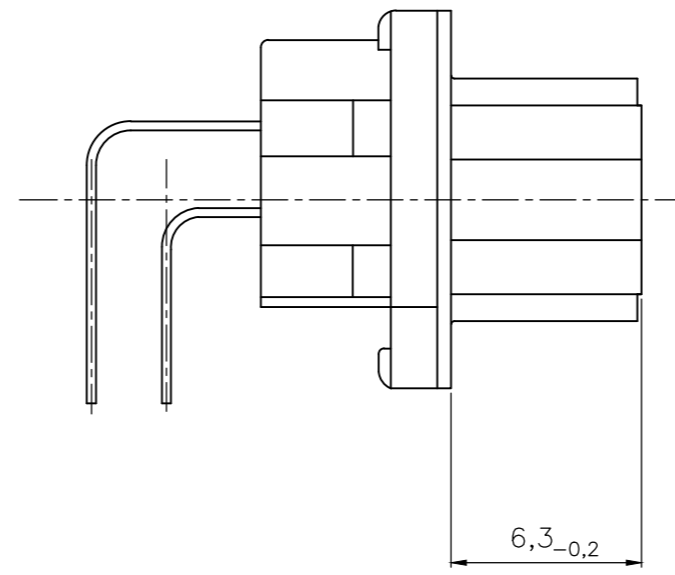
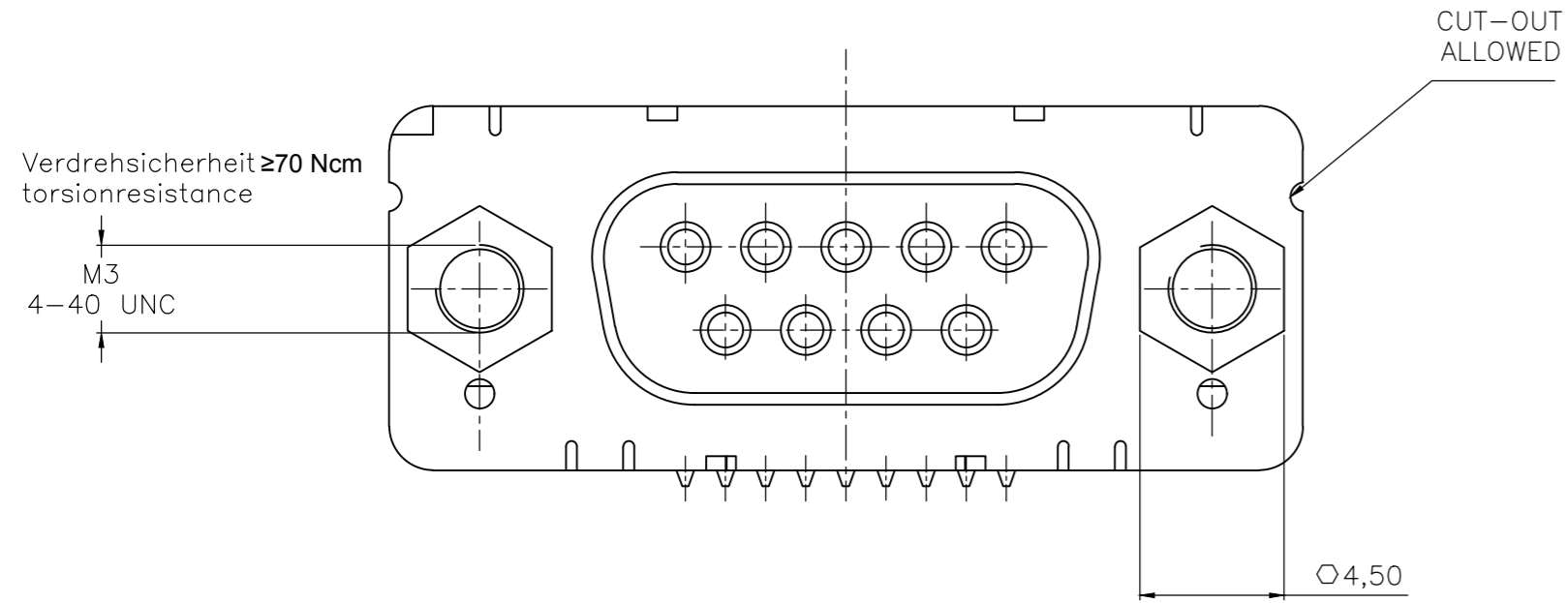
OLD PN: V23529-B****-B***-*-7427

| | | | | | | | | | | | | | | | | | | | | | | | |
|--|---|------------------------|--------------------|--|-----------------|---|---|-------|---|---|-------|---|---|-------|---|---|--------|---|---|------------------|--|------------|--------------------|
| THIS DRAWING IS A CONTROLLED DOCUMENT. | | DWN GNANI JADAV A E | 07JAN10 | | | | | | | | | | | | | | | | | | | | |
| DIMENSIONS: mm | | CHK K. MALCZYK | APVD K. MALCZYK | | | | | | | | | | | | | | | | | | | | |
| TOLERANCES UNLESS OTHERWISE SPECIFIED: | | PRODUCT SPEC | | NAME Buchsenleiste ¹⁾ Einbauhöhe 3,6 mm (Variante 1) Socketconnector-90° solderversion (Type1) ¹⁾ | | | | | | | | | | | | | | | | | | | |
| <table border="1"> <tr><td>0 PLC</td><td>±</td><td>-</td></tr> <tr><td>1 PLC</td><td>±</td><td>-</td></tr> <tr><td>2 PLC</td><td>±</td><td>-</td></tr> <tr><td>3 PLC</td><td>±</td><td>-</td></tr> <tr><td>4 PLC</td><td>±</td><td>-</td></tr> <tr><td>ANGLES</td><td>±</td><td>-</td></tr> </table> | | 0 PLC | ± | - | 1 PLC | ± | - | 2 PLC | ± | - | 3 PLC | ± | - | 4 PLC | ± | - | ANGLES | ± | - | APPLICATION SPEC | | SIZE A2 | CAGE CODE 00779 |
| 0 PLC | ± | - | | | | | | | | | | | | | | | | | | | | | |
| 1 PLC | ± | - | | | | | | | | | | | | | | | | | | | | | |
| 2 PLC | ± | - | | | | | | | | | | | | | | | | | | | | | |
| 3 PLC | ± | - | | | | | | | | | | | | | | | | | | | | | |
| 4 PLC | ± | - | | | | | | | | | | | | | | | | | | | | | |
| ANGLES | ± | - | | | | | | | | | | | | | | | | | | | | | |
| MATERIAL | | WEIGHT | | DRAWING NO 1-1393480-7 | | | | | | | | | | | | | | | | | | | |
| FINISH | | CUSTOMER DRAWING | | SCALE 2:1 | SHEET 3 of 6 | | | | | | | | | | | | | | | | | | |

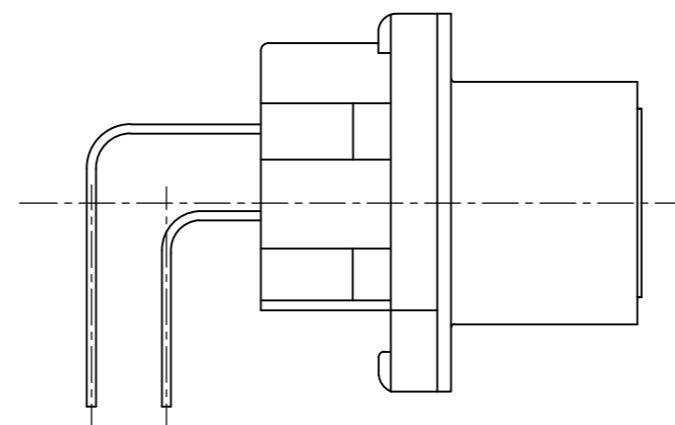
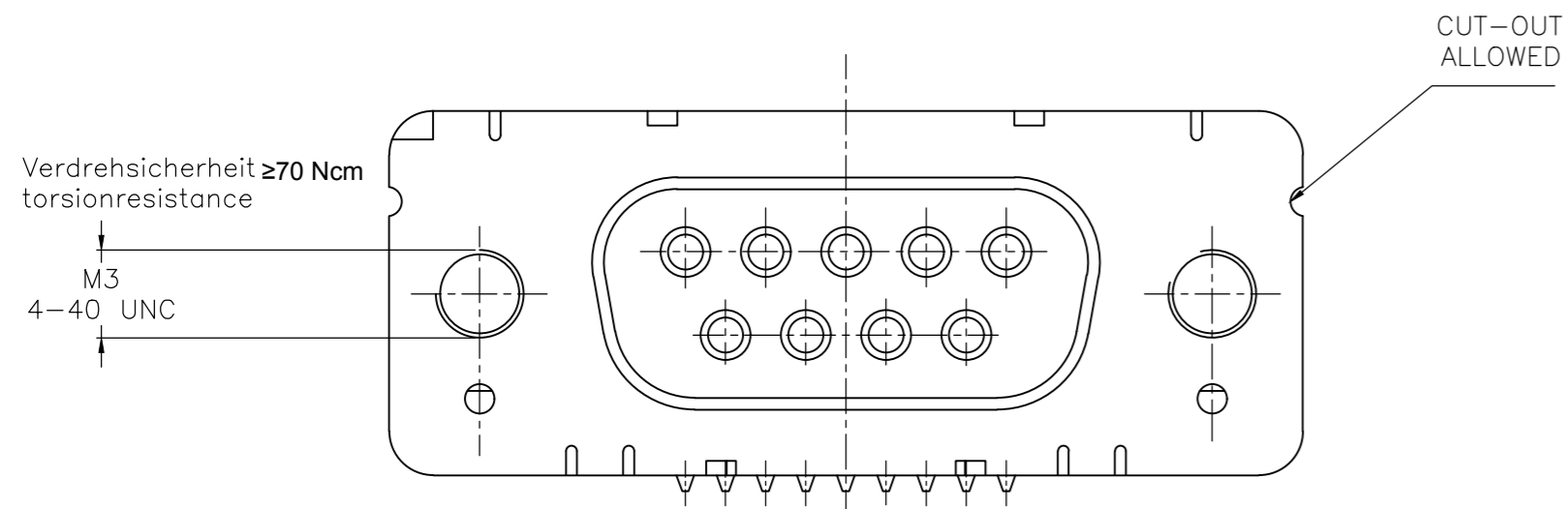
THIS DRAWING IS UNPUBLISHED. RELEASED FOR PUBLICATION
 © COPYRIGHT - By - ALL RIGHTS RESERVED.

| REVISIONS | | | | | |
|-----------|-----|-------------|------|-----|------|
| P | LTR | DESCRIPTION | DATE | DWN | APVD |
| - | - | SEE SHEET 1 | - | - | - |

mit Gewindebolzen: M3 V23529-B50x4-Bxxx-+
 with threadlock 4-40 UNC V23529-B50x5-Bxxx-+



mit Gewinde : M3 V23529-B50x2-Bxxx-+
 with thread 4-40 UNC V23529-B50x3-Bxxx-+



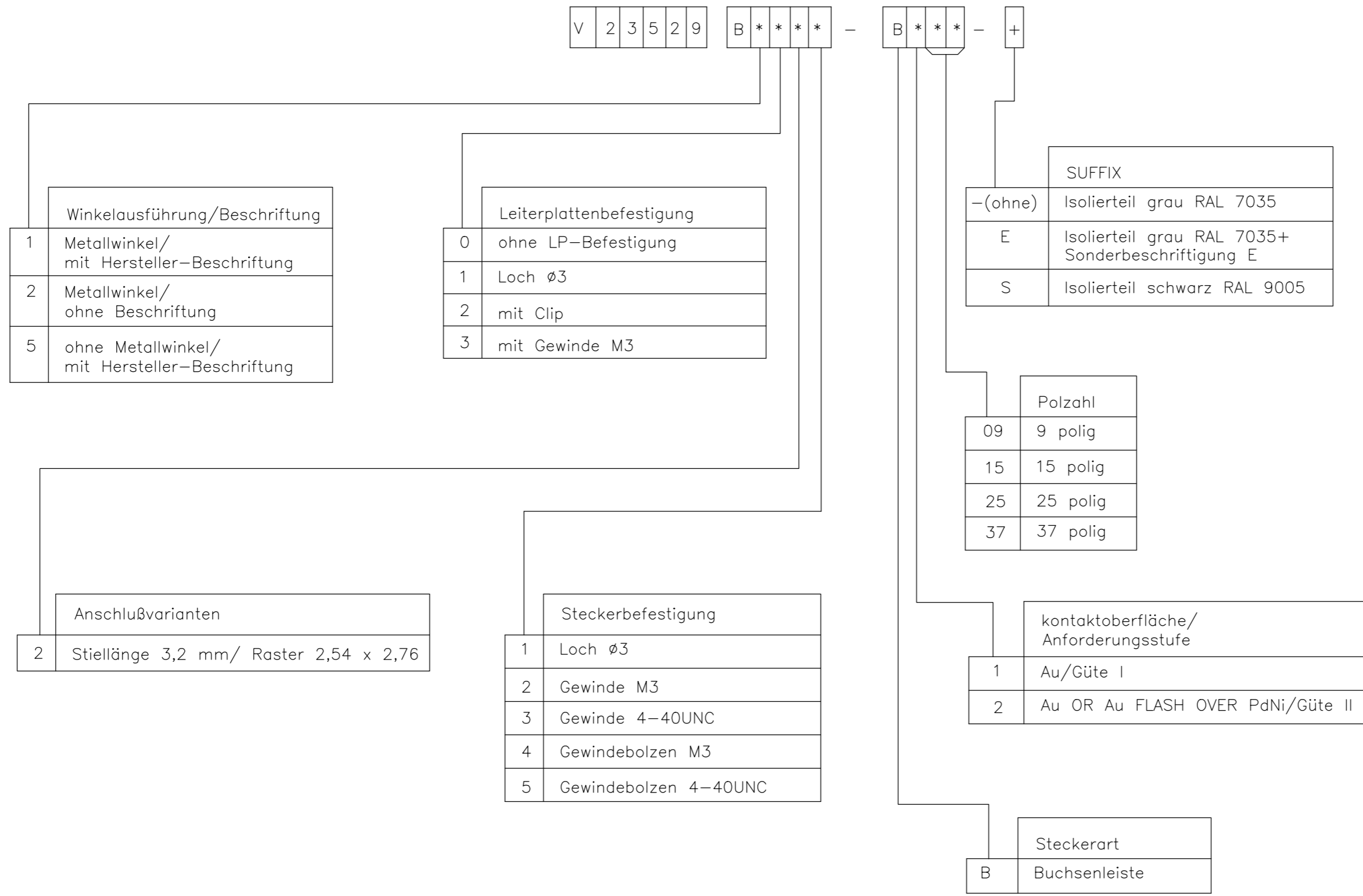
| Mass Dimension | Polzahl n Number of contacts n | | | |
|----------------|-----------------------------------|-------|-------|-------|
| | 9 | 15 | 25 | 37 |
| C | 25 | 33,3 | 47,04 | 63,5 |
| H | 10,96 | 19,18 | 33,12 | 49,68 |
| K | 8,22 | 16,44 | 30,36 | 46,92 |
| X | 2,74 | 2,74 | 2,76 | 2,76 |
| Y | 2,54 | | | |

1) nach DIN 41652T.2 und T.4
 according to DIN 41652 T.2 AND T.4

OLD PN: V23529-B****-B***-*-7427

| | | | | | |
|---|--|------------------------|--------------------|--|--------------------|
| THIS DRAWING IS A CONTROLLED DOCUMENT. | | DWN GNANI JADAV A E | 07JAN10 | TE TE Connectivity | |
| DIMENSIONS: mm | | CHK K. MALCZYK | APVD K. MALCZYK | | |
| TOLERANCES UNLESS OTHERWISE SPECIFIED: | | PRODUCT SPEC | | NAME Buchsenleiste ¹⁾ Einbauhöhe 3,6 mm (Variante 1) Socketconnector-90° solderversion (Type1) ¹⁾ | |
| 0 PLC ± - 1 PLC ± - 2 PLC ± - 3 PLC ± - 4 PLC ± - ANGLES ± - | | APPLICATION SPEC | | SIZE A2 | CAGE CODE 00779 |
| MATERIAL | | WEIGHT | | DRAWING NO 1-1393480-7 | |
| FINISH | | CUSTOMER DRAWING | | RESTRICTED TO | SCALE 2:1 |
| | | | | SHEET 4 of 6 | REV H |

| REVISIONS | | | | |
|-----------|-----|-------------|------|------|
| P | LTR | DESCRIPTION | DATE | APVD |
| - | - | SEE SHEET 1 | - | - |



1) nach DIN 41652.2 und T.4
 according to DIN 41652 p.2 AND p.4

OLD PN: V23529-B*****-B****-*-7427

| | | | | | |
|--|--------|---|-----------------------------|---|---------------|
| THIS DRAWING IS A CONTROLLED DOCUMENT. | | DWN GNANI JADAV A E | 07JAN10 | TE Connectivity | |
| DIMENSIONS: mm | | CHK K. MALCZYK | APVD K. MALCZYK | NAME Buchsenleiste | |
| | | TOLERANCES UNLESS OTHERWISE SPECIFIED: 0 PLC ± - 1 PLC ± - 2 PLC ± - 3 PLC ± - 4 PLC ± - ANGLES ± - | | Einbauhöhe 3,6 mm (Variante 1) ¹⁾ Socketconnector-90° solderversion (Type1) ¹⁾ | |
| MATERIAL | FINISH | WEIGHT | SCALE | SHEET | RESTRICTED TO |
| - | - | - | A2 | 00779 | - |
| CUSTOMER DRAWING | | | DRAWING NO C=1-1393480-7 | SHEET 5 of 6 | REV H |

THIS DRAWING IS UNPUBLISHED. RELEASED FOR PUBLICATION
 © COPYRIGHT - By - ALL RIGHTS RESERVED.

| REVISIONS | | | | |
|-----------|-----|-------------|------|------|
| P | LTR | DESCRIPTION | DATE | APVD |
| - | - | SEE SHEET 1 | - | - |


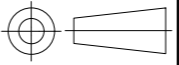
Active part numbers. Contact TE CONNECTIVITY for other configuration availability

| Old Part Number | TE CONNECTIVITY Part Number |
|-------------------|---------------------------------|
| V23529-B1121-B209 | 1-1393480-7 |
| V23529-B1121-B215 | 1-1393480-8 |
| V23529-B1121-B225 | 1-1393480-9 |
| V23529-B1121-B237 | 2-1393480-0 |
| V23529-B1122-B209 | 2-1393480-8 |
| V23529-B1122-B215 | 2-1393480-9 |
| V23529-B1122-B225 | 3-1393480-0 |
| V23529-B1122-B237 | 3-1392010-8 |
| V23529-B1123-B109 | 3-1393480-4 |
| V23529-B1123-B209 | 3-1393480-6 |
| V23529-B1123-B215 | 3-1393480-7 |
| V23529-B1123-B225 | 3-1393480-8 |
| V23529-B1123-B237 | 3-1393480-9 |
| V23529-B1125-B209 | 4-1393480-7 OBSOLETE |
| V23529-B1125-B215 | 4-1393480-8 OBSOLETE |
| V23529-B1125-B225 | 4-1393480-9 OBSOLETE |
| V23529-B1125-B237 | 5-1393480-0 OBSOLETE |
| V23529-B1221-B209 | 5-1393480-5 |
| V23529-B1221-B215 | 5-1393480-6 |
| V23529-B1221-B225 | 5-1393480-7 |
| V23529-B1222-B109 | 6-1393480-4 |

| Old Part Number | TE CONNECTIVITY Part Number |
|-------------------|-----------------------------|
| V23529-B1222-B115 | 6-1393480-5 |
| V23529-B1222-B125 | 6-1393480-6 |
| V23529-B1222-B209 | 6-1393480-7 OBSOLETE |
| V23529-B1222-B215 | 6-1393480-8 OBSOLETE |
| V23529-B1222-B225 | 6-1393480-9 OBSOLETE |
| V23529-B1222-B237 | 7-1393480-0 OBSOLETE |
| V23529-B1223-B109 | 7-1393480-8 |
| V23529-B1223-B115 | 7-1393480-9 |
| V23529-B1223-B125 | 8-1393480-0 |
| V23529-B1223-B209 | 8-1393480-1 |
| V23529-B1223-B215 | 8-1393480-2 |
| V23529-B1223-B225 | 8-1393480-3 |
| V23529-B1223-B237 | 8-1393480-4 |
| V23529-B1224-B209 | 9-1393480-0 |
| V23529-B1224-B215 | 9-1393480-1 |
| V23529-B1224-B225 | 9-1393480-2 |
| V23529-B1225-B209 | 9-1393480-9 |
| V23529-B1225-B215 | 1393481-1 |
| V23529-B1225-B225 | 1393481-2 |
| V23529-B1225-B237 | 3-1392010-7 |
| V23529-B2221-B209 | 1-1393481-1 |

1) nach DIN 41652 T.2 und T.4 according to DIN 41652 p.2 AND p.4

OLD PN: V23529-B****-B***-*-7427

| | | | | |
|---|--|--------------------------------|---|--------------------------|
| THIS DRAWING IS A CONTROLLED DOCUMENT. | | DWN 07JAN10 GNANI JADAV A E |  TE Connectivity | |
| DIMENSIONS: mm | | CHK K. MALCZYK | | |
|  | | APVD K. MALCZYK | NAME Buchsenleiste ¹⁾ Einbauhöhe 3,6 mm (Variante 1) Socketconnector-90° solderversion (Type1) ¹⁾ | |
| TOLERANCES UNLESS OTHERWISE SPECIFIED: | | PRODUCT SPEC | SIZE A2 | RESTRICTED TO - |
| 0 PLC ± - | | APPLICATION SPEC | CAGE CODE 00779 | DRAWING NO C=1-1393480-7 |
| 1 PLC ± - | | WEIGHT - | SCALE 2:1 | SHEET 6 of 6 |
| 2 PLC ± - | | CUSTOMER DRAWING | REV H | |
| 3 PLC ± - | | | | |
| 4 PLC ± - | | | | |
| ANGLES ± - | | | | |
| MATERIAL - | | | | |
| FINISH - | | | | |

1-1393480-7

X-ON Electronics

Largest Supplier of Electrical and Electronic Components

Click to view similar products for [D-Sub Standard Connectors](#) category:

Click to view products by [TE Connectivity](#) manufacturer:

Other Similar products are found below :

[56F711-015](#) [012-9507-004](#) [LV242999-142T12](#) [015-0341-000](#) [015-0372-005](#) [015-0372-008](#) [015-8755-001](#) [020419-0104](#) [012-0467-000](#) [012-0515-000](#) [012-9507-034](#) [012-9507-114](#) [020745-0008](#) [609-25P](#) [M24308/2-23Z](#) [CT2-14S-2PCA34](#) [CT2-18-11PCAU](#) [CT2-36-15SC](#) [CT6-14S-2SC](#) [CT6E14SA7SC](#) [CT6E22-14PC](#) [CT6E22-14PS](#) [CT6E22-22PS](#) [CT6M20-19SS](#) [M83513/01-FC](#) [M85049/48-3-2F](#) [6STD09PCM99B70X](#) [6STD09SCM99B30X](#) [6STD09SCT99S40X](#) [6STD15PCT99S40X](#) [6STD15SCM99B30X](#) [6STD15SCT99S40X](#) [6STF09PCM05B70X](#) [7-135760-9](#) [MC11E-10-6SN](#) [747552-3](#) [MD1-21PS](#) [MDM-15SCBRM7-F222](#) [MDM96517-699](#) [MDM96521-744](#) [MDVB1-21SL1](#) [MIK0-1-7SH003](#) [MIKQ6-7SH076](#) [MIKQ7-7PH077](#) [MIKQ7-7PH11](#) [MIKQ7-7PH32](#) [MJSV-28SL61](#) [MKJ4A1F14-55S](#) [8-135760-3](#) [8STD09PCM99B30X](#)