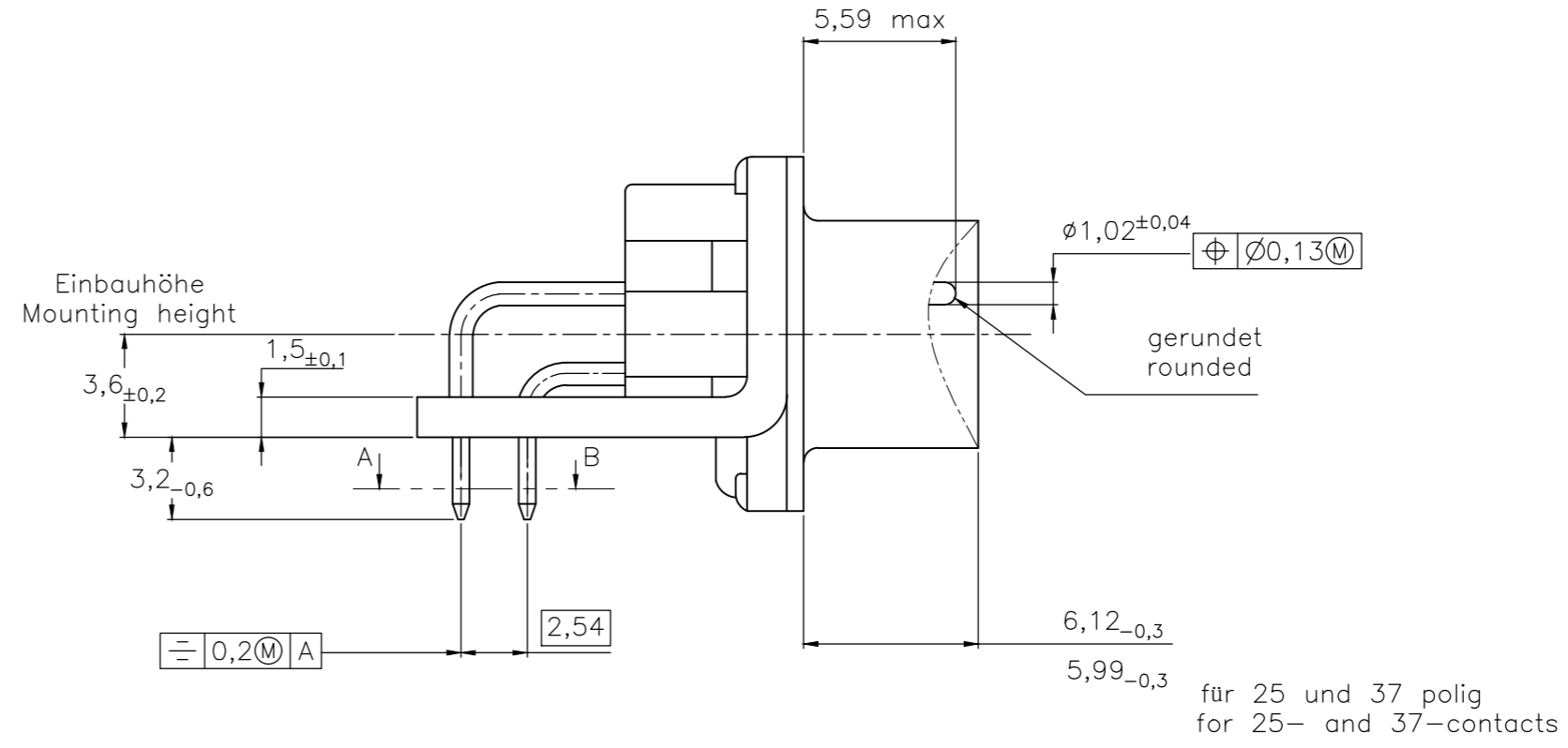
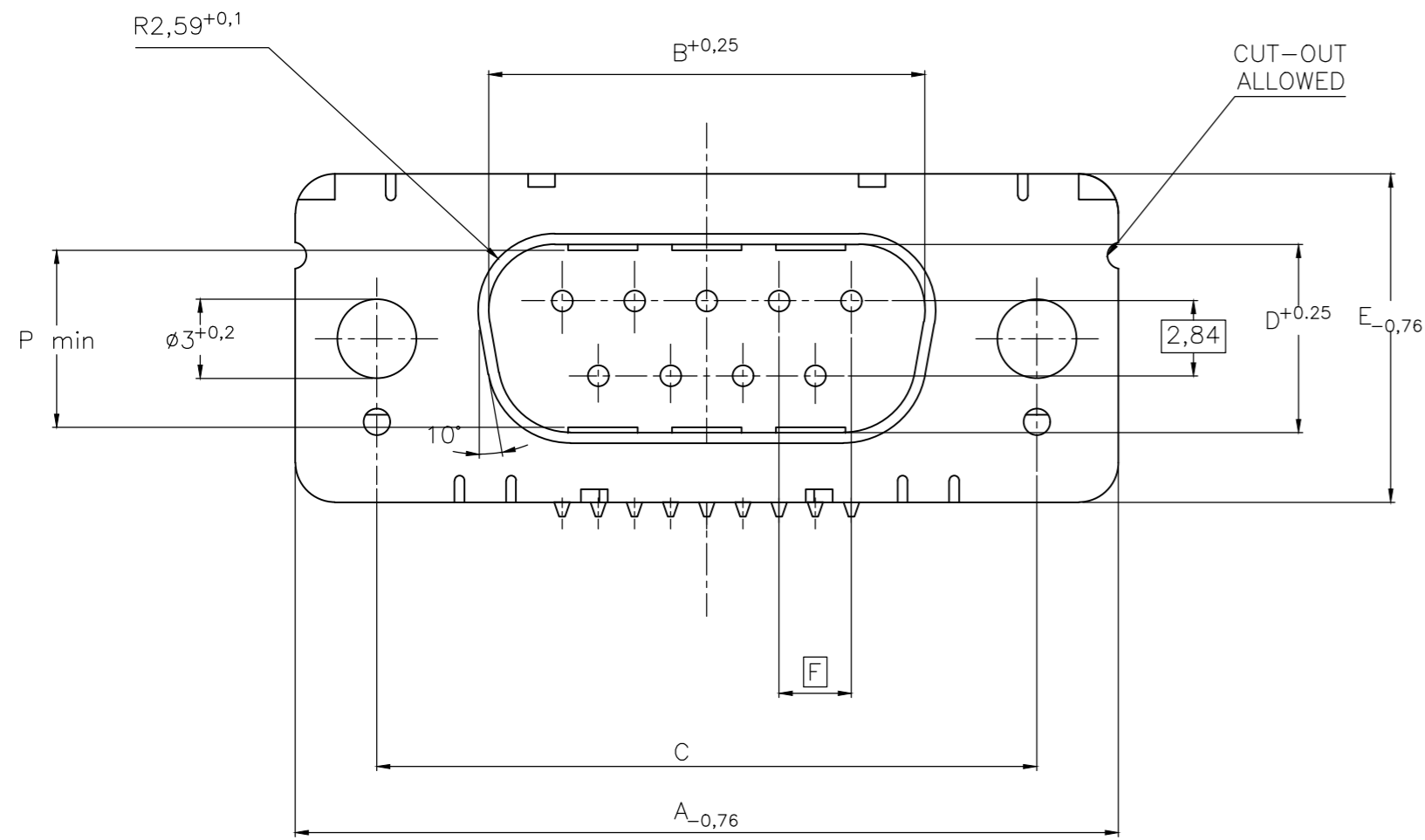


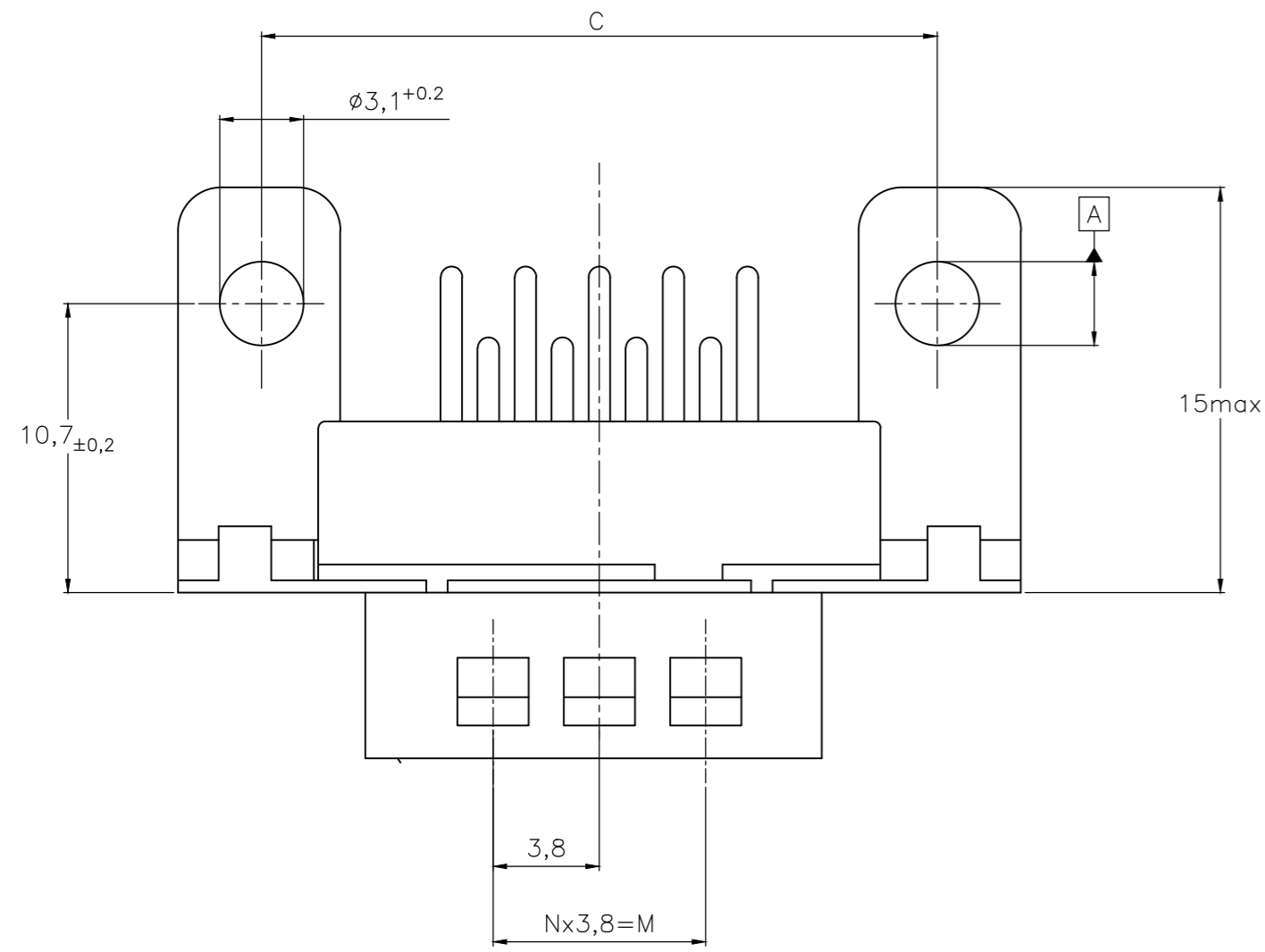
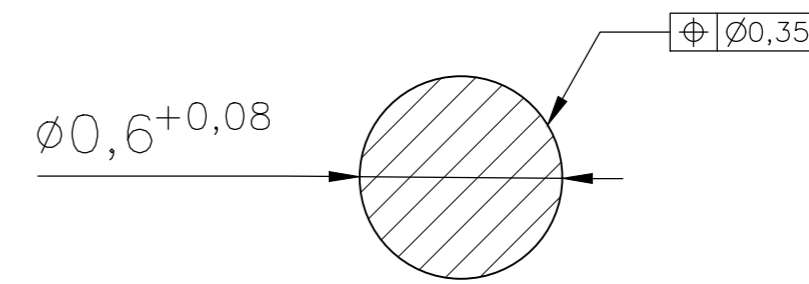
REVISIONS					
P	LTR	DESCRIPTION	DATE	DWN	APVD
H		REVISED PER ECO-17-017772	25MAY2018	AP	DG

Standardausführung: V23529-Bx121-Cxxx-+
 Standardversion



für 25 und 37 polig
 for 25- and 37-contacts

Schnitt AB des Lötanschlusses
 Cross-section AB of solderpin
 (20:1)



Ordercode Sachnr	Contacts Polzahl	Mass/Dimension									
		A	B	C	D	E	F	M	N	P	
..-Cx09-+	09	31,19	16,79	25,0 +0,12 -0,13	8,23	12,93	2,74	7,6	2	7,72	
..-Cx15-+	15	39,52	25,12	33,3 +0,15 -0,1	8,23	12,93	2,74	15,2	4	7,69	
..-Cx25-+	25	53,42	38,84	47,04 +0,13 -0,13	8,23	12,93	2,76	26,6	7	7,65	
..-Cx37-+	37	69,7	55,30	63,5 +0,13 -0,13	8,23	12,93	2,76	41,8	11	7,65	

1) Anforderungsstufe/Performance level

OLD PN: V23529-B****-C***-*-7427

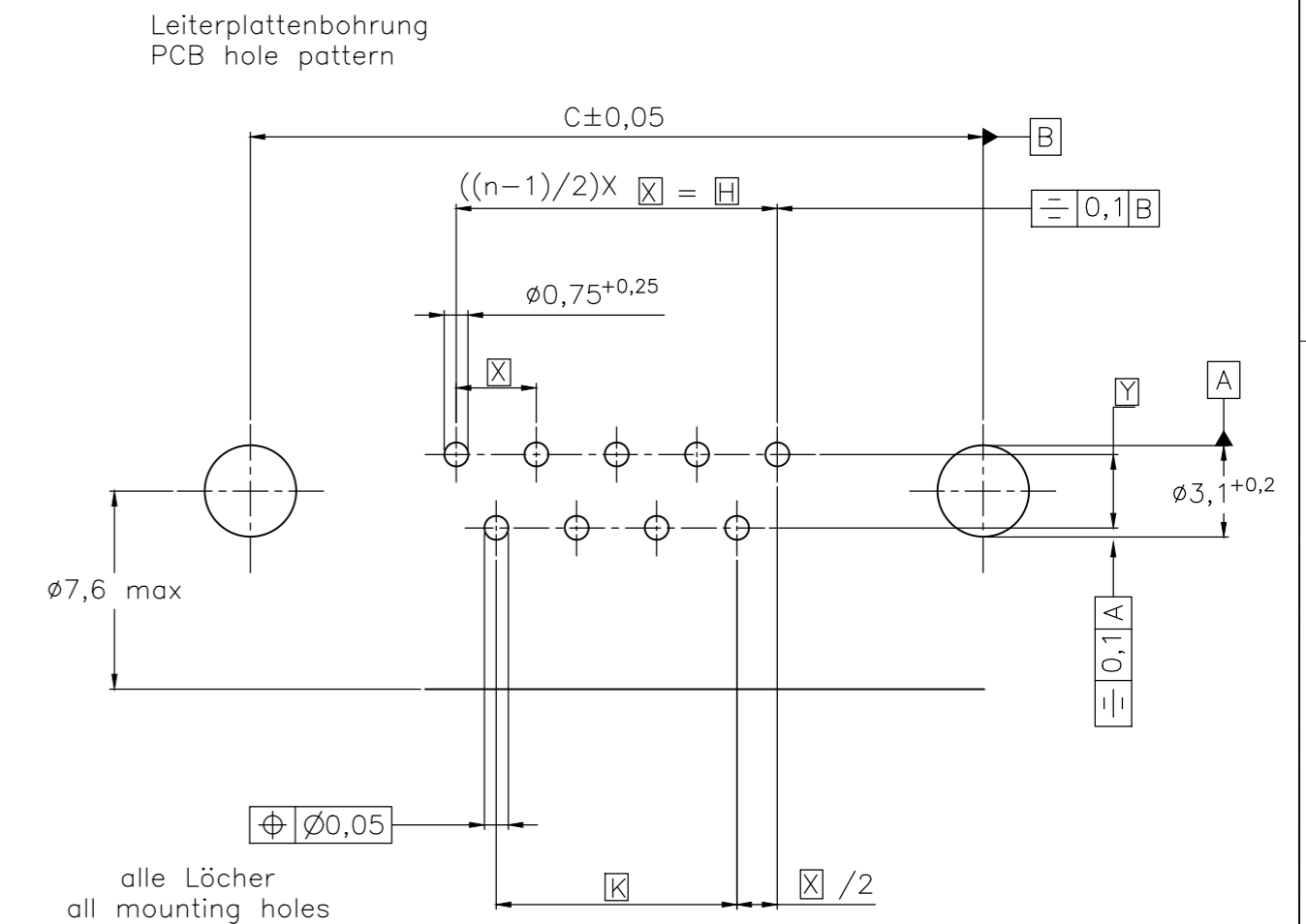
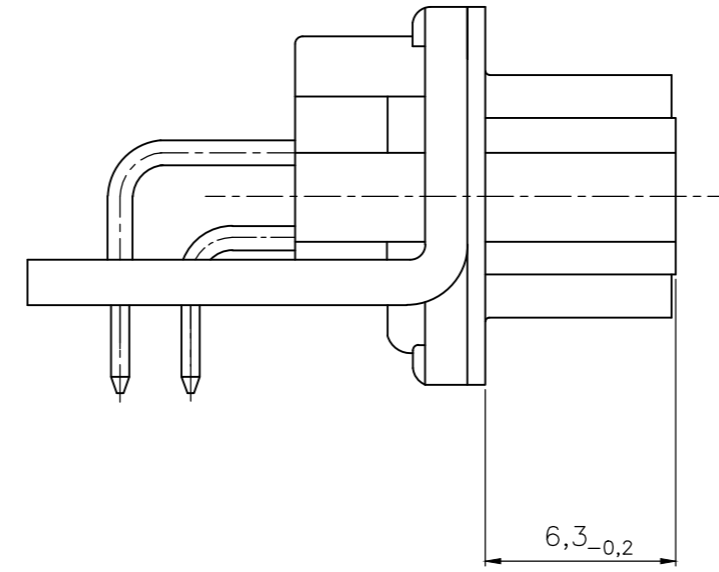
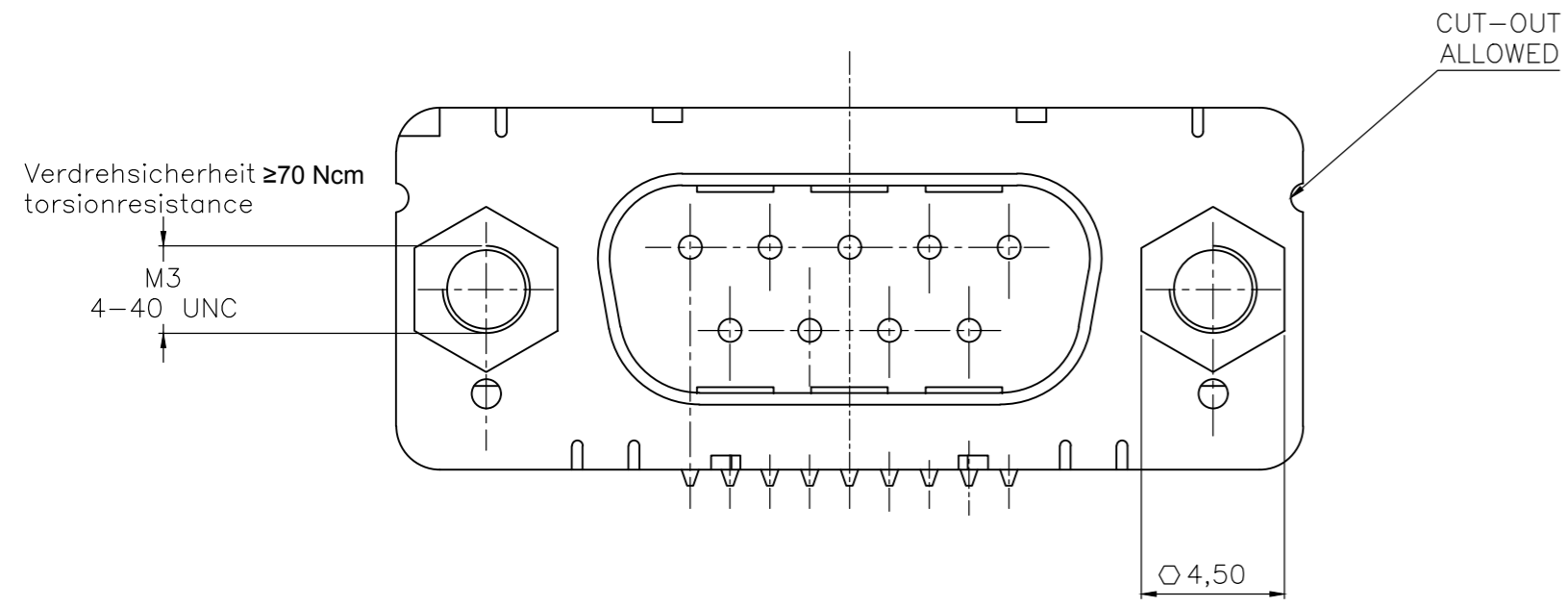
1) nach DIN 41652 T.2 und T.4
 according to DIN 41652 T.2 and T.4

THIS DRAWING IS A CONTROLLED DOCUMENT. DIMENSIONING AND TOLERANCING PER ASME Y14.5M-2009		DWN GNANI JADAV A E	07JAN10	TE Connectivity	
DIMENSIONS: mm		CHK K.MALCZYK		NAME Sub-D 90° Lötansführung Stiftleiste Einbauhöhe 3,6 mm D-Sub 90°solder version Pin connector mounting height 3,6 mm	
TOLERANCES UNLESS OTHERWISE SPECIFIED: 0 PLC ± - 1 PLC ± - 2 PLC ± - 3 PLC ± - 4 PLC ± - ANGLES ± -		APVD K.MALCZYK		RESTRICTED TO	
MATERIAL		PRODUCT SPEC		SIZE A2	CAGE CODE 00779
FINISH		APPLICATION SPEC		DRAWING NO C=2-1393480-1	
		WEIGHT 0		SCALE 2:1	
		CUSTOMER DRAWING		SHEET 1 of 6	REV H

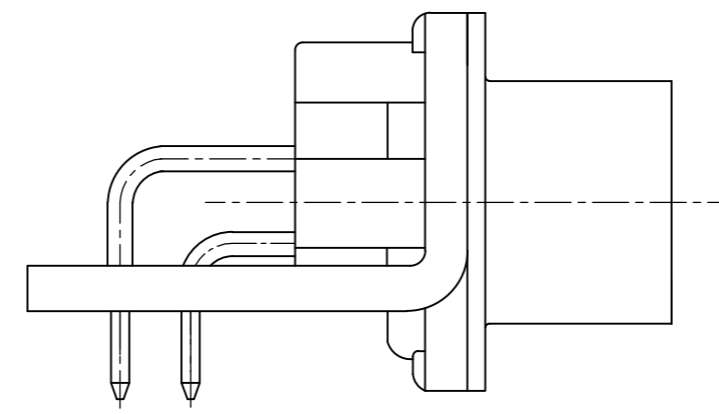
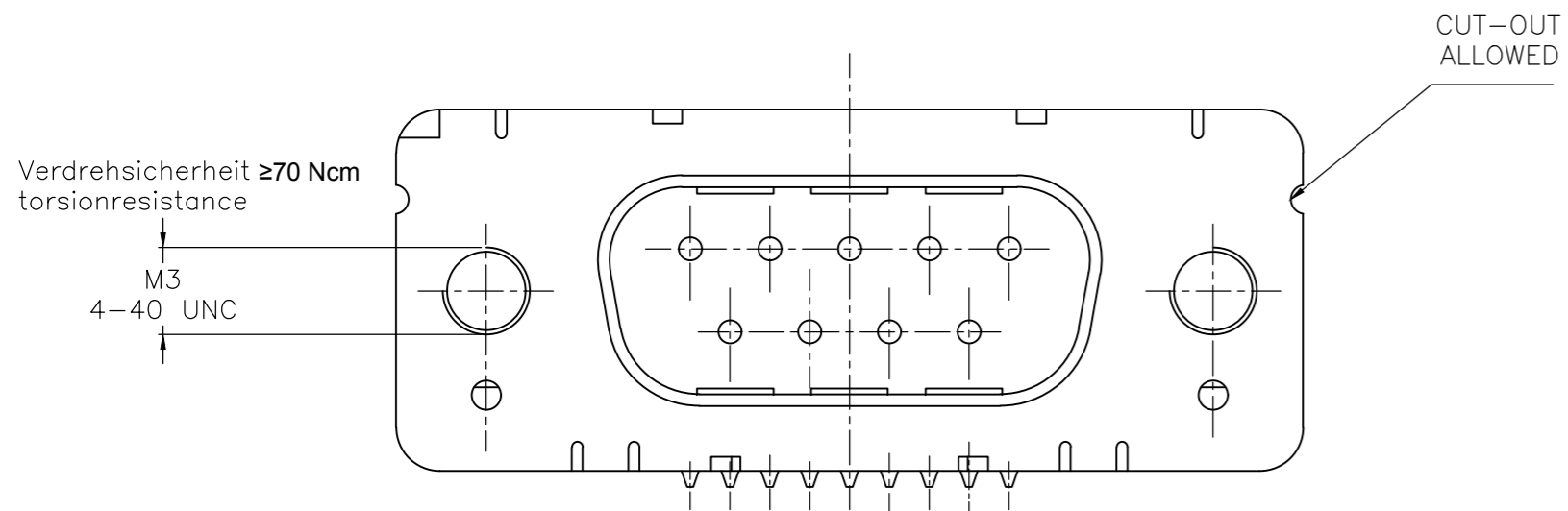
THIS DRAWING IS UNPUBLISHED. RELEASED FOR PUBLICATION
 © COPYRIGHT - By - ALL RIGHTS RESERVED.

REVISIONS					
P	LTR	DESCRIPTION	DATE	DWN	APVD
-	-	SEE SHEET 1	-	-	-

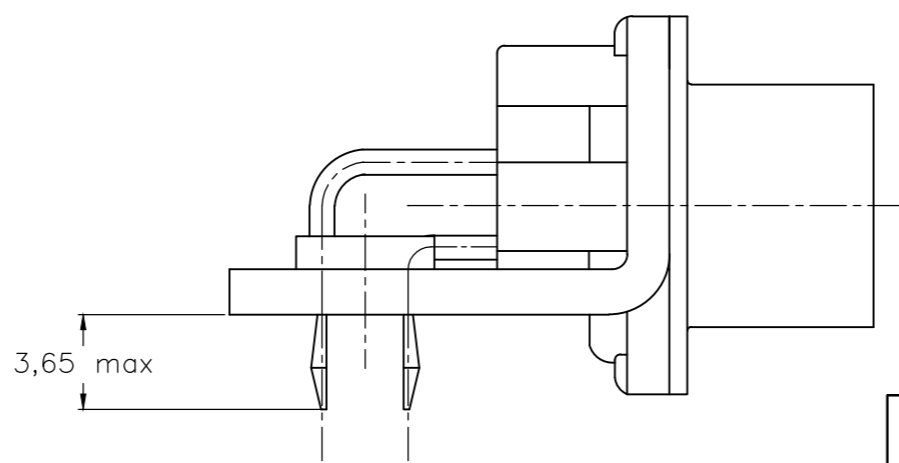
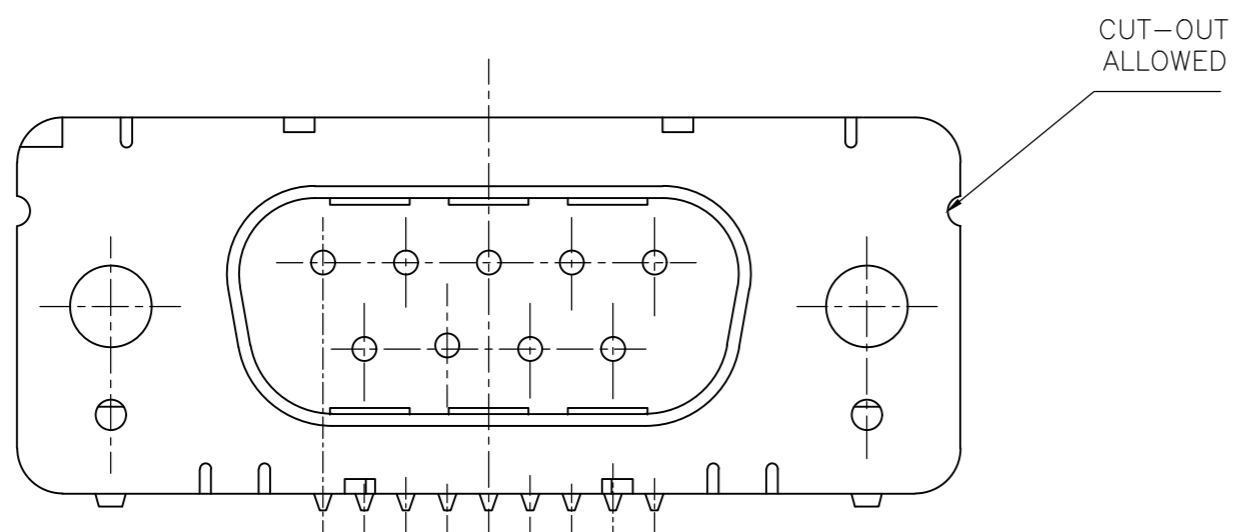
mit Gewindebolzen: M3 V23529-Bxx24-Cxxx-+
 with thread lock 4-40 UNC V23529-Bxx25-Cxxx-+



mit Gewinde: M3 V23529-Bxx22-Cxxx-+
 with thread 4-40 UNC V23529-Bxx23-Cxxx-+



mit Clipbefestigung: V23529-Bx22x-Cxxx-+
 with snap-in



Mass Dimension	Polzahl n Number of contacts n			
	9	15	25	37
C	25	33,3	47,04	63,5
H	10,96	19,18	33,12	49,68
K	8,22	16,44	30,36	46,92
X	2,74	2,74	2,76	2,76
Y	2,54			

1) nach DIN 41652 T,2 UND T,4
 according to DIN 41652 p,2 AND p,4

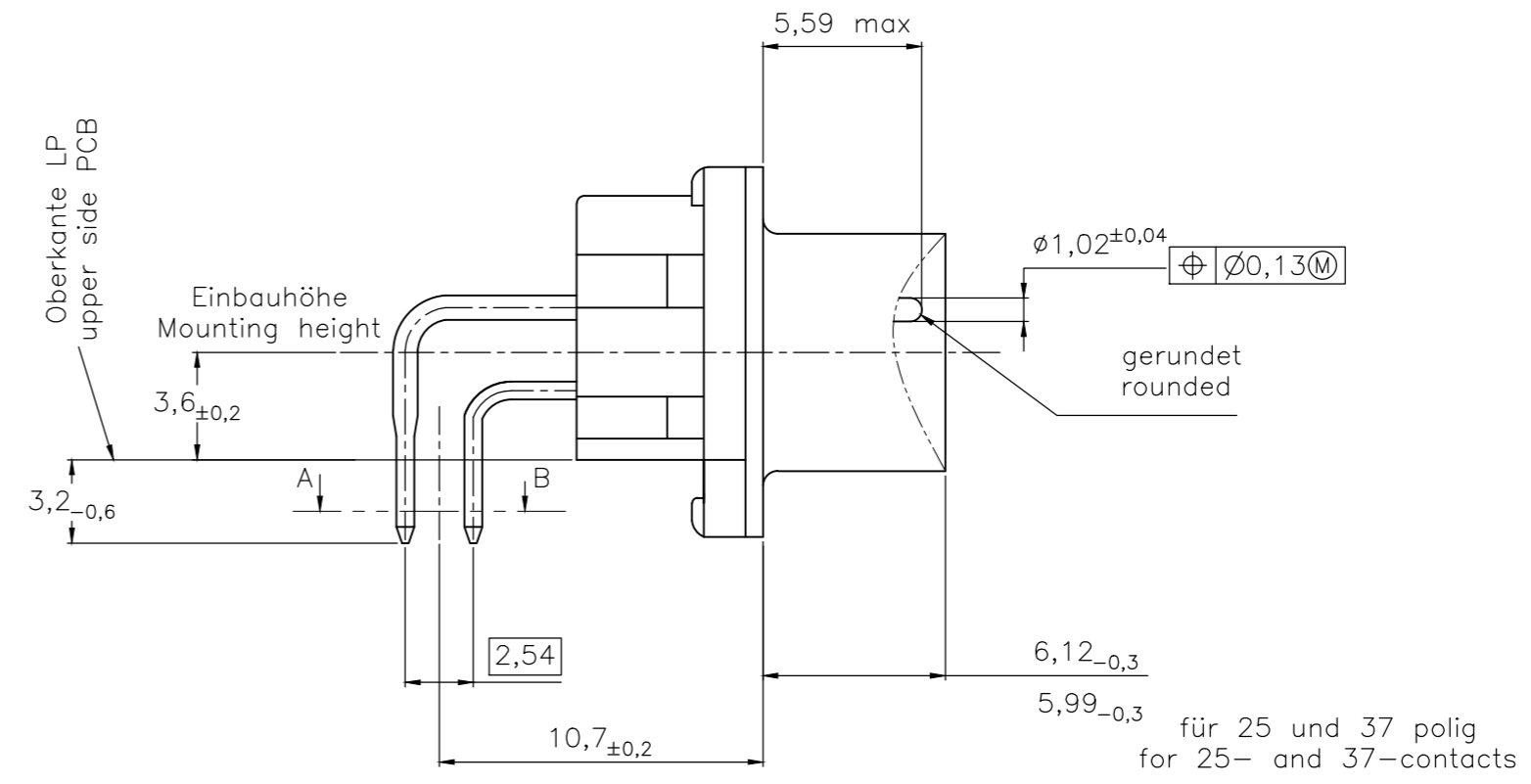
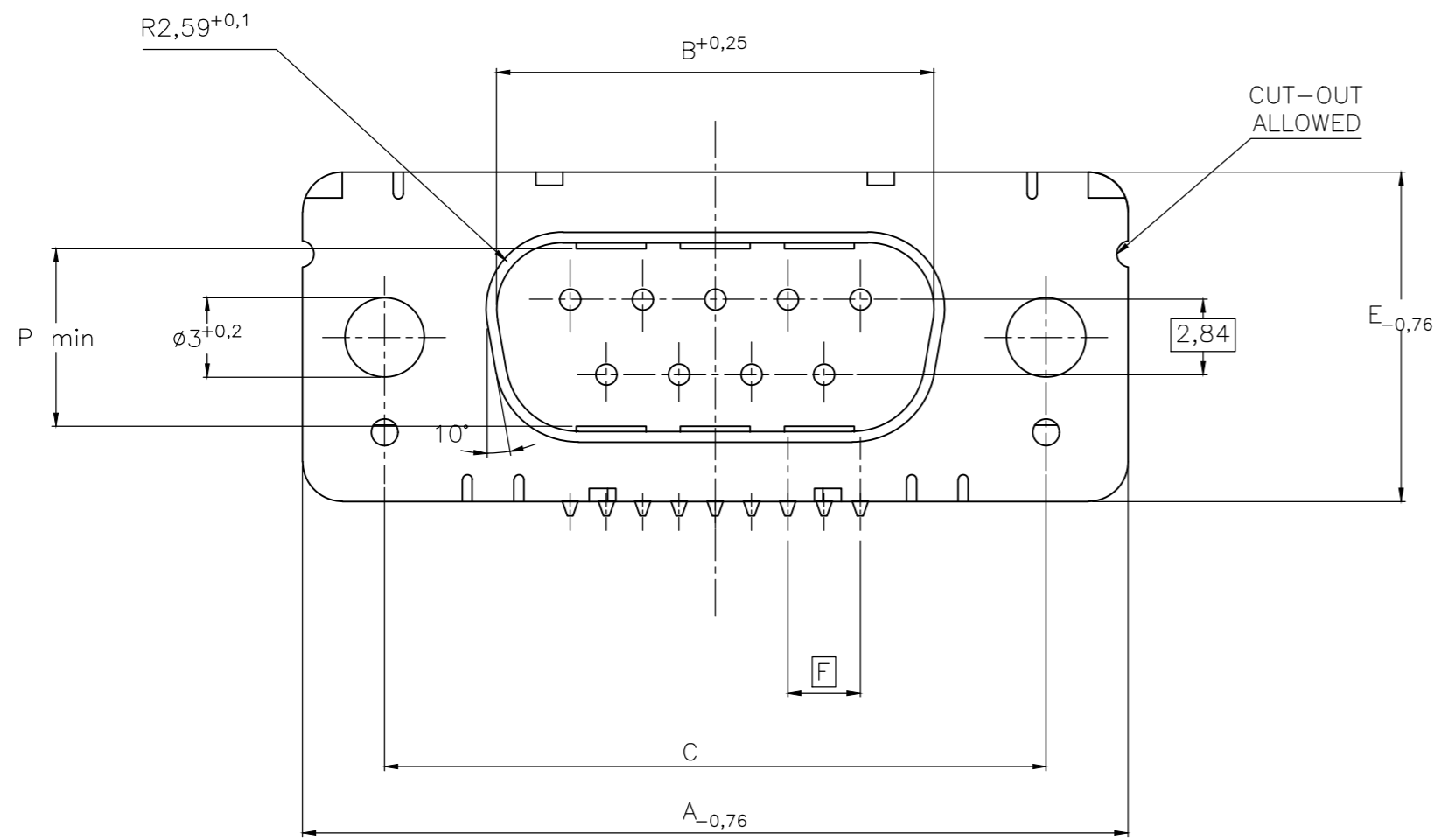
OLD PN: V23529-B****-C***-*-7427

LP-Dicke 1,6±0,13mm, Loch phi 3,1^{+0,2}
 PC-board-thickness 1,6±0,13mm, Hole phi 3,1^{+0,2}

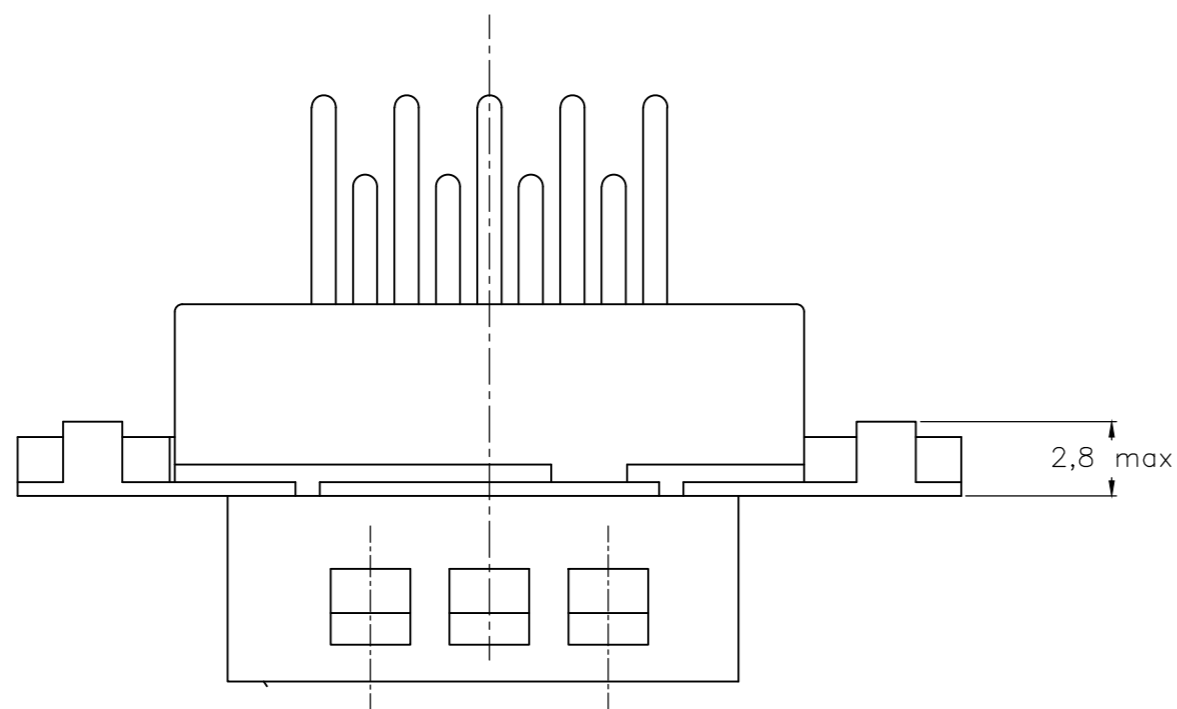
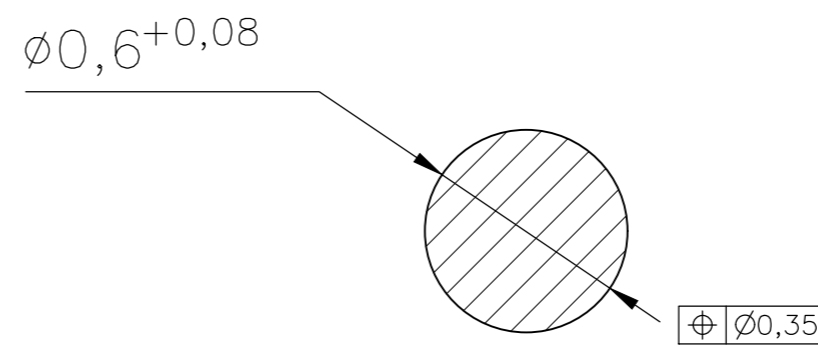
THIS DRAWING IS A CONTROLLED DOCUMENT. DIMENSIONING AND TOLERANCING PER ASME Y14.5M-2009		DWN 07JAN10 GNANI JADAV A E		
DIMENSIONS: mm		CHK K.MALCZYK		
TOLERANCES UNLESS OTHERWISE SPECIFIED:		APVD K.MALCZYK	NAME Sub-D 90° Löttausführung Stiftleiste Einbauhöhe 3,6 mm D-Sub 90°solder version Pin connector mounting height 3,6 mm	
0 PLC ± - 1 PLC ± - 2 PLC ± - 3 PLC ± - 4 PLC ± - ANGLES ± -		PRODUCT SPEC -	SIZE A2	
MATERIAL -		APPLICATION SPEC -	CAGE CODE 00779	DRAWING NO C=2-1393480-1
FINISH -		WEIGHT -	RESTRICTED TO -	
		CUSTOMER DRAWING		SCALE 2:1 SHEET 2 of 6 REV H

REVISIONS					
P	LTR	DESCRIPTION	DATE	DWN	APVD
-	-	SEE SHEET 1	-	-	-

Standardausführung ohne Winkel: V23529-B50x1-Cxxx-+
 Standardversion without bracket



Schnitt AB des Lötanschlusses
 Cross-section AB of solderpin
 (20:1)



Ordercode Sachnr	Contacts Polzahl	Mass/Dimension									
		A	B	C	D	E	F	M	N	P	
..-Cx09-+	09	31,19	16,79	25,0 $\begin{smallmatrix} +0,12 \\ -0,13 \end{smallmatrix}$	8,23	12,93	2,74	7,6	2	7,72	
..-Cx15-+	15	39,52	25,12	33,3 $\begin{smallmatrix} +0,15 \\ -0,1 \end{smallmatrix}$	8,23	12,93	2,74	15,2	4	7,69	
..-Cx25-+	25	53,42	38,84	47,04 $\begin{smallmatrix} +0,13 \\ -0,13 \end{smallmatrix}$	8,23	12,93	2,76	26,6	7	7,65	
..-Cx37-+	37	69,7	55,30	63,5 $\begin{smallmatrix} +0,13 \\ -0,13 \end{smallmatrix}$	8,23	12,93	2,76	41,8	11	7,65	

Anforderungsstufe/Performance level 1)

OLD PN: V23529-B****-C***-*-7427

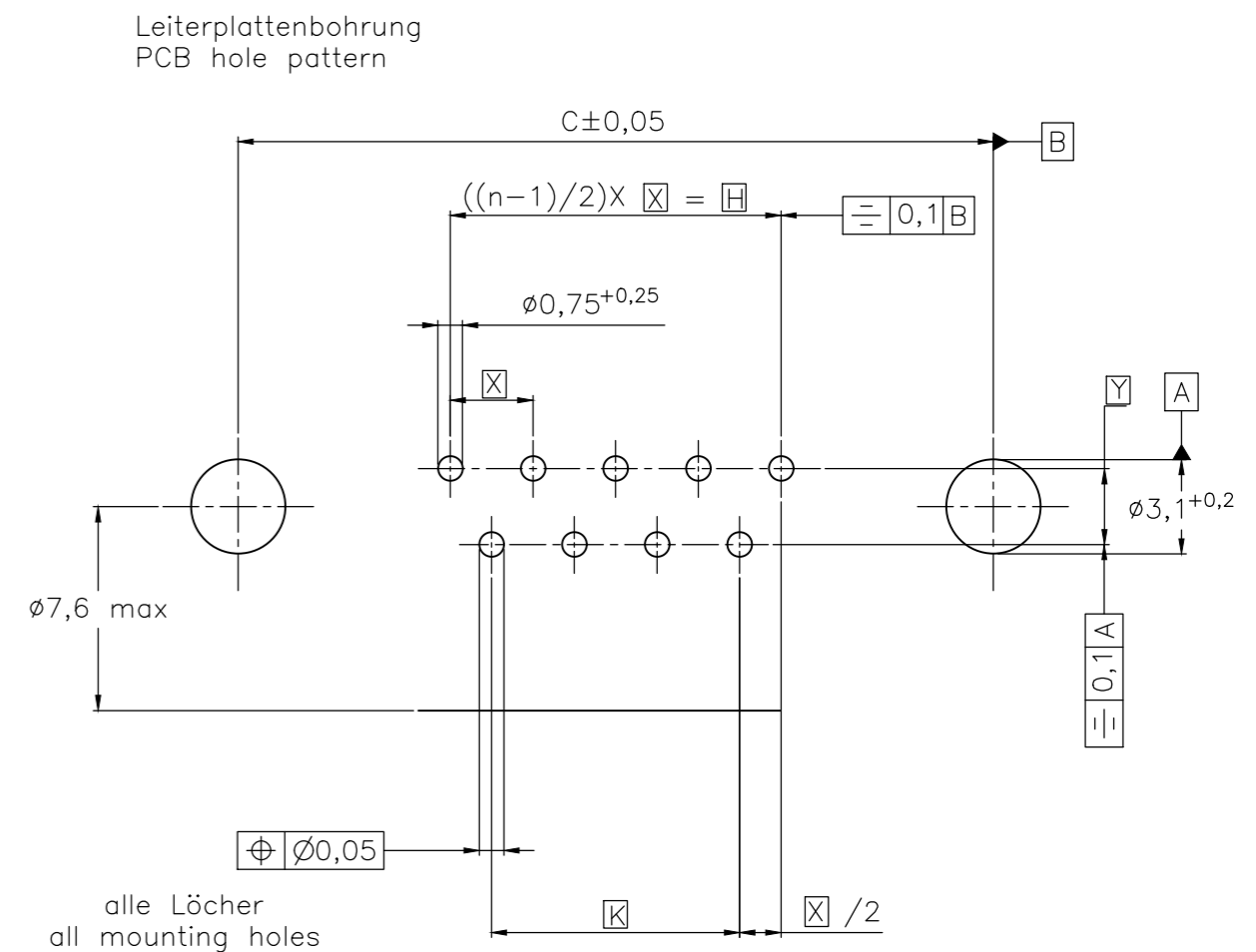
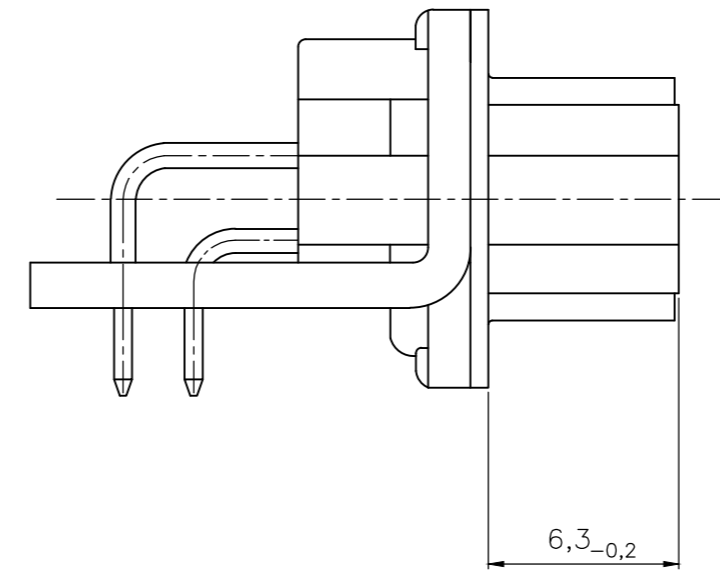
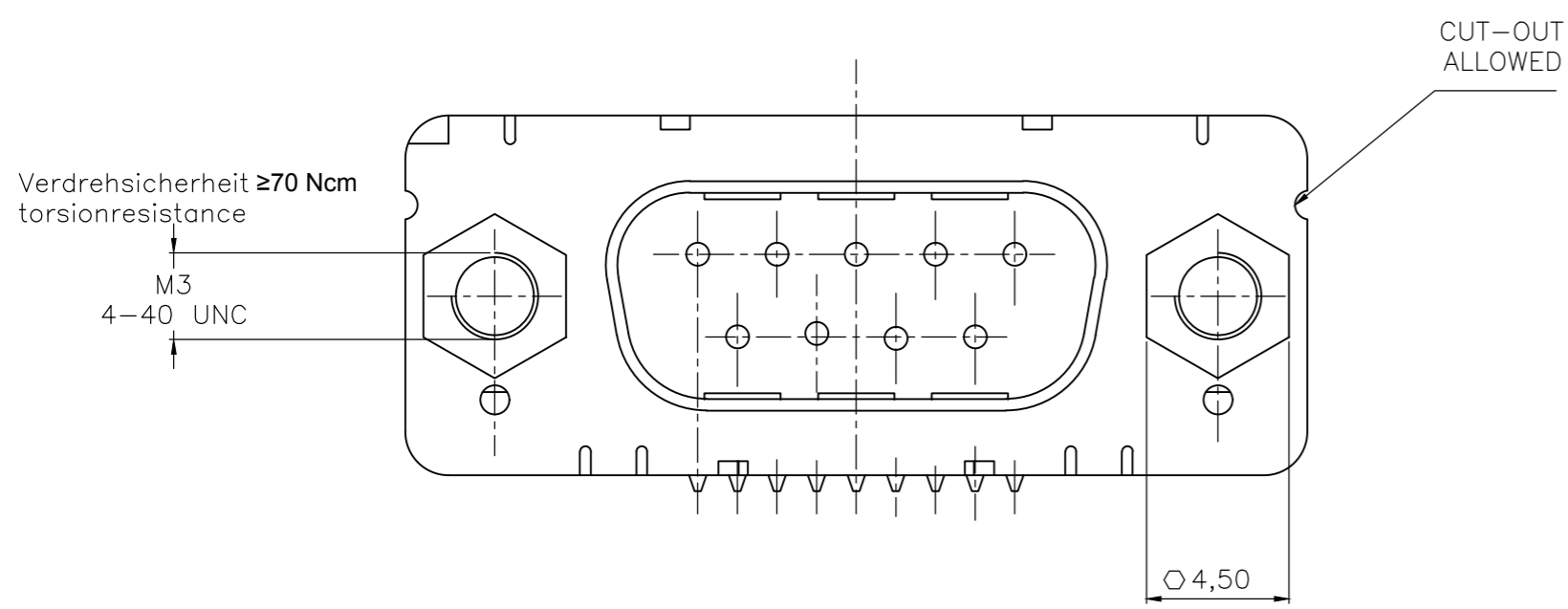
1) nach DIN 41652 T.2 und T.4
 according to DIN 41652 T.2 and T.4

THIS DRAWING IS A CONTROLLED DOCUMENT. DIMENSIONING AND TOLERANCING PER ASME Y14.5M-2009		DWN 07JAN10 GNANI JADAV A E	TE TE Connectivity	
DIMENSIONS: mm		CHK K.MALCZYK		
TOLERANCES UNLESS OTHERWISE SPECIFIED:		APVD K.MALCZYK	NAME Sub-D 90° Lötanschluss Stiftleiste Einbauhöhe 3,6 mm D-Sub 90° solder version Pin connector mounting height 3,6 mm	
0 PLC ± - 1 PLC ± - 2 PLC ± - 3 PLC ± - 4 PLC ± - ANGLES ± -		PRODUCT SPEC -		
MATERIAL -	FINISH -	APPLICATION SPEC -	SIZE A2	CAGE CODE 00779
CUSTOMER DRAWING		WEIGHT -	DRAWING NO C=2-1393480-1	RESTRICTED TO -
		SCALE 2:1	SHEET 3 of 6	REV H

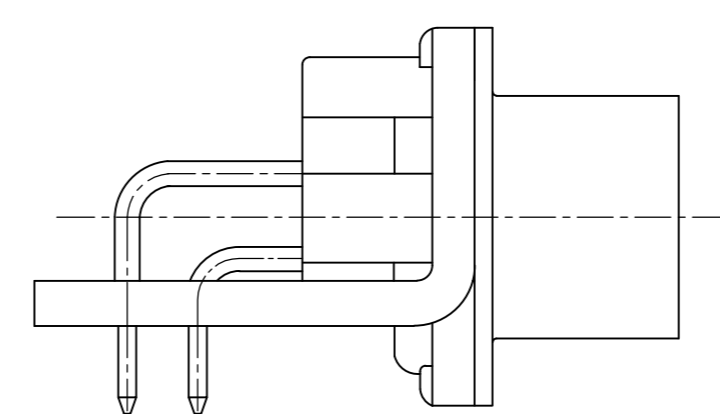
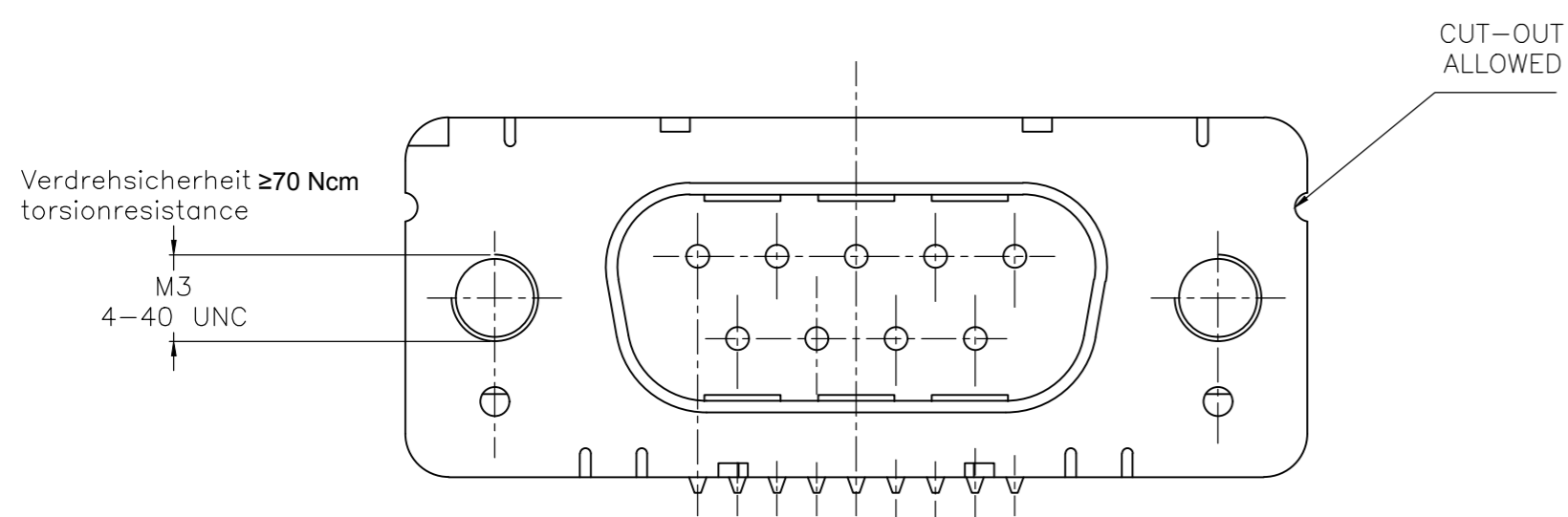
THIS DRAWING IS UNPUBLISHED. RELEASED FOR PUBLICATION
 © COPYRIGHT - By - ALL RIGHTS RESERVED.

REVISIONS					
P	LTR	DESCRIPTION	DATE	DWN	APVD
-	-	SEE SHEET 1	-	-	-

mit Gewindebolzen: M3 V23529-B50x4-Cxxx-+
 with thread lock 4-40 UNC V23529-B50x5-Cxxx-+



mit Gewinde: M3 V23529-B50x2-Cxxx-+
 with thread 4-40 UNC V23529-B50x3-Cxxx-+



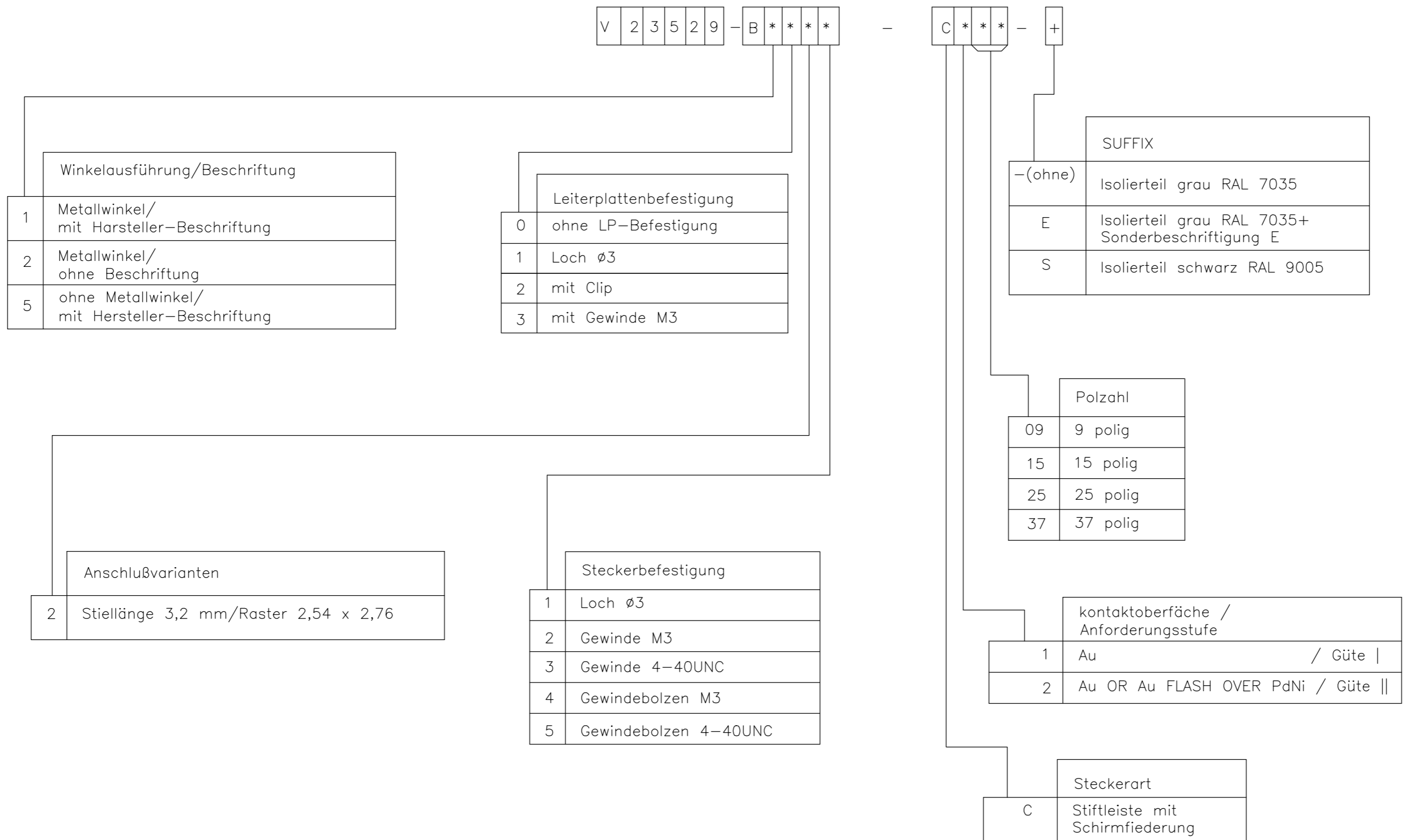
Mass Dimension	Polzahl n Number of contacts n			
	9	15	25	37
C	25	33,3	47,04	63,5
H	10,96	19,18	33,12	49,68
K	8,22	16,44	30,36	46,92
X	2,74	2,74	2,76	2,76
Y	2,54			

1) nach DIN 41652 T,2 UND T,4
 according to DIN 41652 p,2 AND p,4

OLD PN: V23529-B****-C***-*-7427

THIS DRAWING IS A CONTROLLED DOCUMENT. DIMENSIONING AND TOLERANCING PER ASME Y14.5M-2009		DWN 07JAN10 GNANI JADAV A E		
DIMENSIONS: mm		CHK K.MALCZYK		
TOLERANCES UNLESS OTHERWISE SPECIFIED:		APVD K.MALCZYK	Sub-D 90° Löt Ausführung Stiftleiste	
0 PLC ± -	1 PLC ± -	PRODUCT SPEC	Einbauhöhe 3,6 mm	
2 PLC ± -	3 PLC ± -	APPLICATION SPEC	D-Sub 90° solder version Pinconnector	
4 PLC ± -	ANGLES ± -	WEIGHT	SIZE A2	RESTRICTED TO
MATERIAL	FINISH	CUSTOMER DRAWING	CAGE CODE 00779	DRAWING NO C=2-1393480-1
		SCALE 2:1	SHEET 4 of 6	REV H

REVISIONS				
P	LTR	DESCRIPTION	DATE	APVD
-	-	SEE SHEET 1	-	-



1) nach DIN 41652 T.2 und T.4 according to DIN 41652 p.2 and p.4

OLD PN: V23529-B****-C***-*-7427

THIS DRAWING IS A CONTROLLED DOCUMENT. DIMENSIONING AND TOLERANCING PER ASME Y14.5M-2009		DWN GNANI JADAV A E 07JAN10	TE Connectivity	
DIMENSIONS: mm		CHK K.MALCZYK		
TOLERANCES UNLESS OTHERWISE SPECIFIED:		APVD K.MALCZYK	Sub-D 90° Löttausführung Stiftleiste	
0 PLC ± -		PRODUCT SPEC	Einbauhöhe 3,6 mm	
1 PLC ± -		APPLICATION SPEC	D-Sub 90°solderversion Pin connector	
2 PLC ± -		WEIGHT	SIZE A2	RESTRICTED TO
3 PLC ± -		SCALE 2:1	CAGE CODE 00779	SHEET 5 of 6
4 PLC ± -		CUSTOMER DRAWING	DRAWING NO C=2-1393480-1	
ANGLES ± -		SCALE 2:1	REV H	
FINISH				

THIS DRAWING IS UNPUBLISHED. RELEASED FOR PUBLICATION
 © COPYRIGHT - By - ALL RIGHTS RESERVED.

REVISIONS				
P	LTR	DESCRIPTION	DATE	APVD
-	-	SEE SHEET 1	-	-


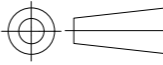
Active part numbers. Contact TE CONNECTIVITY for other configuration availability

Old Part Number	TE CONNECTIVITY Part Number	
V23529-B1121-C209	2-1393480-1	
V23529-B1121-C215	2-1393480-2	
V23529-B1121-C225	2-1393480-3	
V23529-B1121-C237	2-1393480-4	
V23529-B1122-C209	3-1393480-2	
V23529-B1122-C215	3-1393480-3	
V23529-B1122-C225	2-1392010-8	
V23529-B1122-C237	3-1392010-6	
V23529-B1123-C209	4-1393480-0	
V23529-B1123-C215	4-1393480-1	
V23529-B1123-C225	4-1393480-2	
V23529-B1123-C237	4-1393480-3	
V23529-B1125-C125	5-1393480-1	OBSOLETE
V23529-B1125-C209	5-1393480-2	OBSOLETE
V23529-B1125-C215	5-1393480-3	OBSOLETE
V23529-B1125-C225	5-1393480-4	OBSOLETE
V23529-B1125-C237	3-1392010-5	OBSOLETE
V23529-B1221-C109	5-1393480-8	
V23529-B1221-C209	5-1393480-9	

Old Part Number	TE CONNECTIVITY Part Number	
V23529-B1221-C215	6-1393480-0	
V23529-B1222-C209	7-1393480-4	OBSOLETE
V23529-B1222-C215	7-1393480-5	OBSOLETE
V23529-B1222-C225	7-1393480-6	OBSOLETE
V23529-B1222-C237	7-1393480-7	OBSOLETE
V23529-B1223-C209	8-1393480-5	
V23529-B1223-C215	8-1393480-6	
V23529-B1223-C225	8-1393480-7	
V23529-B1223-C237	8-1393480-8	
V23529-B1224-C209	9-1393480-4	
V23529-B1224-C215	9-1393480-5	
V23529-B1224-C225	9-1393480-6	
V23529-B1225-C109	1393481-4	
V23529-B1225-C209	1393481-5	
V23529-B1225-C215	3-1392010-3	
V23529-B1225-C225	1393481-6	2173194-1 OBSOLETE
V23529-B1225-C237	3-1392010-4	
V23529-B2121-C209	1-1393481-0	
V23529-B2221-C209	1-1393481-2	

1) nach DIN 41652 T.2 und T.4
 according to DIN 41652 p.2 and p.4

OLD PN: V23529-B****-C***-*-7427

THIS DRAWING IS A CONTROLLED DOCUMENT. DIMENSIONING AND TOLERANCING PER ASME Y14.5M-2009		DWN 07JAN10 GNANI JADAV A E	 TE Connectivity	
DIMENSIONS: mm		CHK K.MALCZYK		
		APVD K.MALCZYK	Sub-D 90° LötAusführung Stifteleiste Einbauhöhe 3,6 mm D-Sub 90°solder version Pin connector mounting height 3,6 mm	
TOLERANCES UNLESS OTHERWISE SPECIFIED: 0 PLC ± - 1 PLC ± - 2 PLC ± - 3 PLC ± - 4 PLC ± - ANGLES ± -		PRODUCT SPEC	RESTRICTED TO	
MATERIAL		APPLICATION SPEC	SIZE A2	
FINISH		WEIGHT -	CAGE CODE 00779	
		CUSTOMER DRAWING	DRAWING NO C=2-1393480-1	
			SCALE 2:1 SHEET 6 of 6 REV H	

X-ON Electronics

Largest Supplier of Electrical and Electronic Components

Click to view similar products for [D-Sub Standard Connectors](#) category:

Click to view products by [TE Connectivity](#) manufacturer:

Other Similar products are found below :

[56F711-015](#) [012-9507-004](#) [LV242999-142T12](#) [015-0341-000](#) [015-0372-005](#) [015-0372-008](#) [015-8755-001](#) [020419-0104](#) [012-0467-000](#) [012-0515-000](#) [012-9507-034](#) [012-9507-114](#) [020745-0008](#) [609-25P](#) [M24308/2-23Z](#) [CT2-14S-2PCA34](#) [CT2-18-11PCAU](#) [CT6-10SL-3SC](#) [CT6-10SL-4SC](#) [CT6-14S-2SC](#) [CT6E14SA7SC](#) [M83513/01-FC](#) [M83723/76W24619 L/C](#) [M85049/48-3-2F](#) [6STD09PCM99B70X](#) [6STD09SCM99B30X](#) [6STD09SCT99S40X](#) [6STD15PCT99S40X](#) [6STD15SCM99B30X](#) [6STD15SCT99S40X](#) [6STF09PCM05B70X](#) [7-135760-9](#) [MC11E-10-6SN](#) [747552-3](#) [MD1-21PS](#) [MDM-15SCBRM7-F222](#) [MDM96517-699](#) [MDM96521-744](#) [MDVB1-21SL1](#) [MIK0-1-7SH003](#) [MIKQ6-7SH076](#) [MIKQ7-7PH077](#) [MIKQ7-7PH11](#) [MIKQ7-7PH32](#) [MJSV-28SL61](#) [MKJ4A1F14-55S](#) [8-135760-3](#) [8STD09PCM99B30X](#) [PG-KV/PV-16-GROM-SEALING](#) [GDA15P](#)