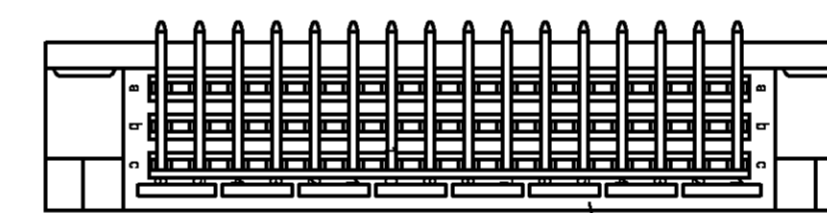
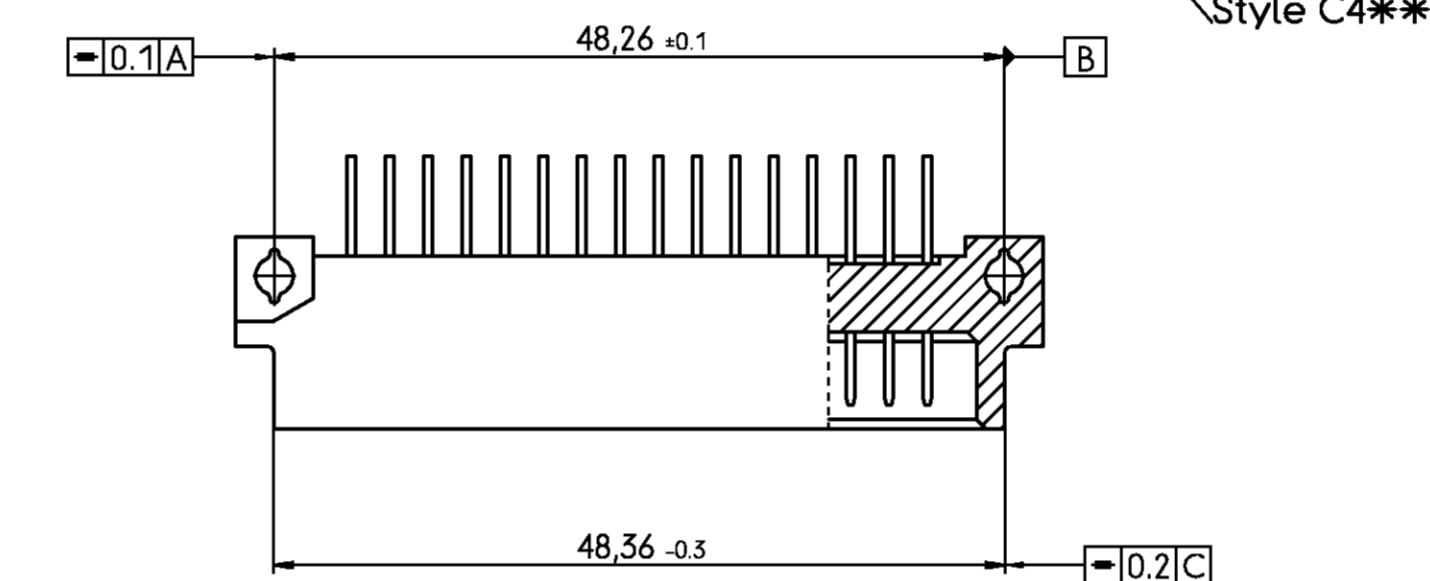
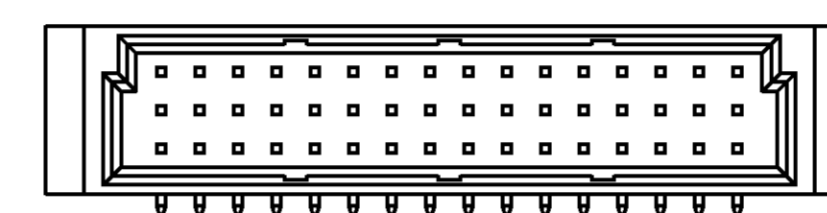
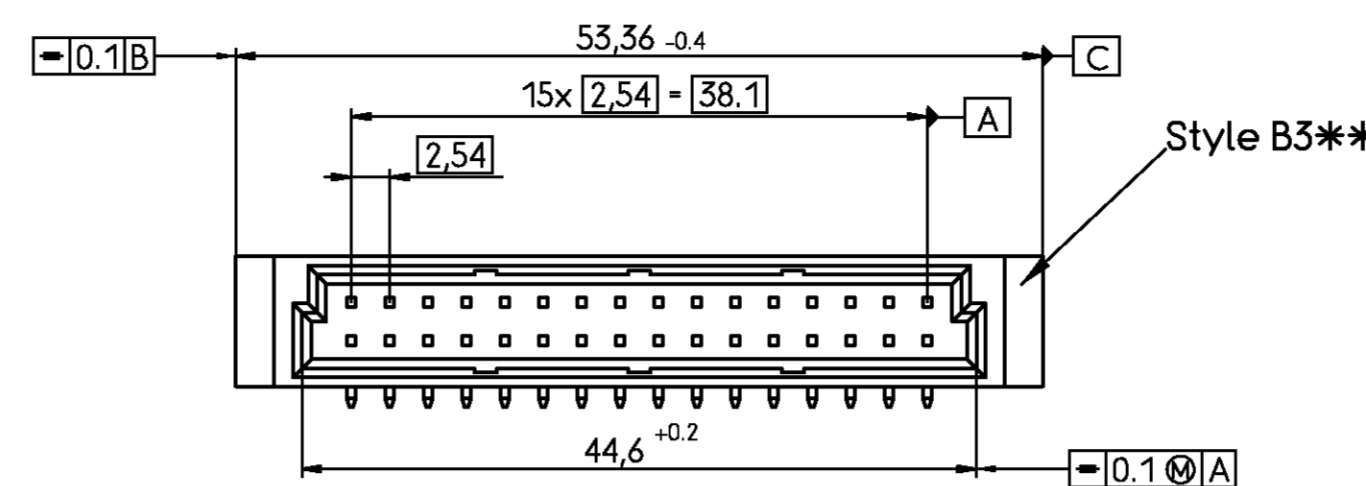
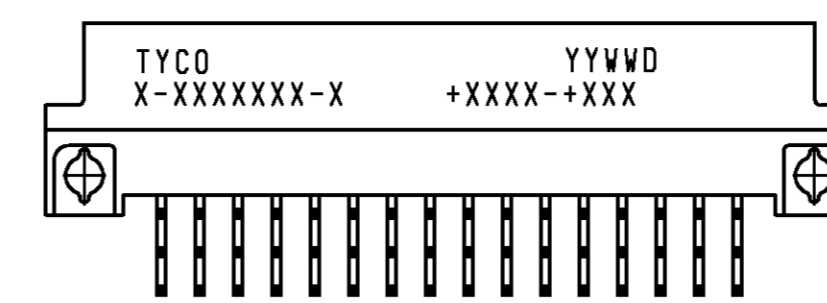
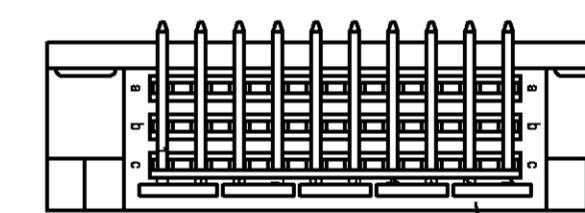
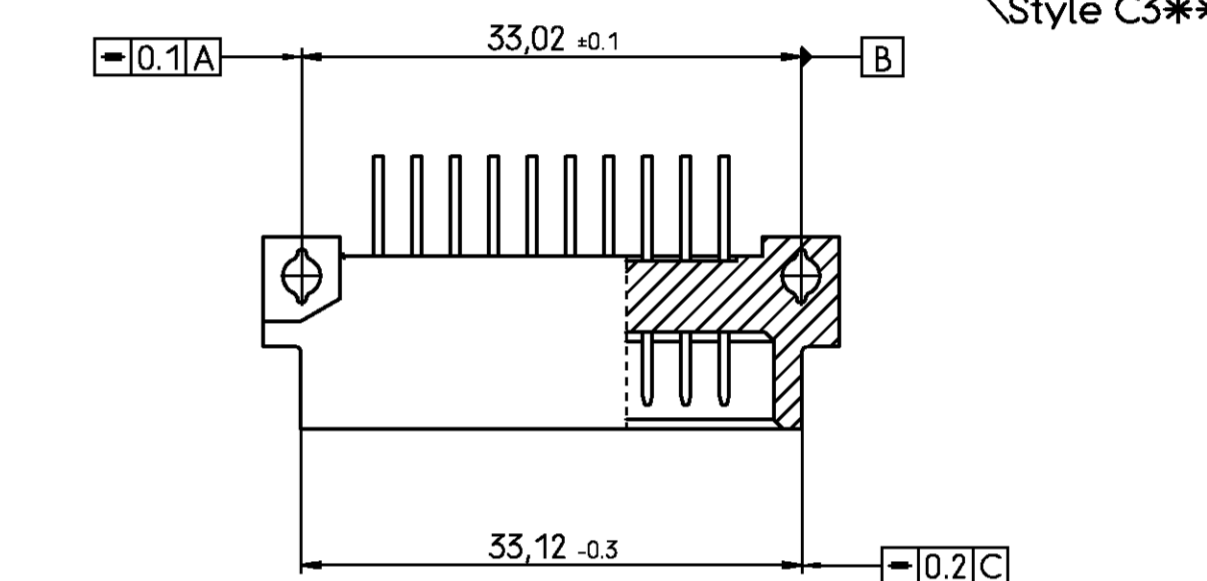
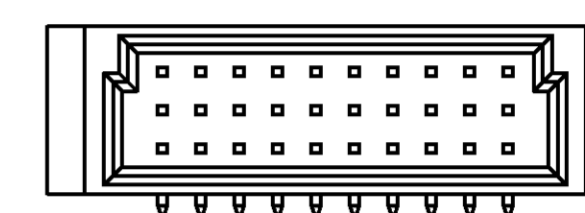
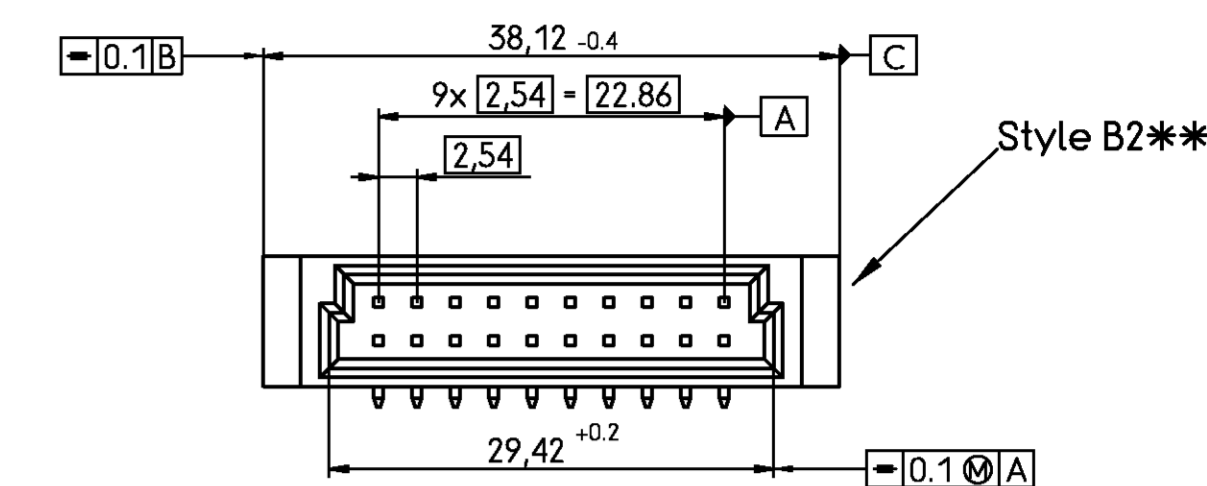
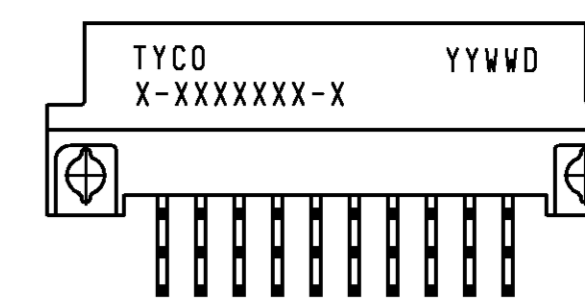


Housing material: PBTP 30% glassfilled (UL94V-0)  
pebble grey (similar RAL 7032)



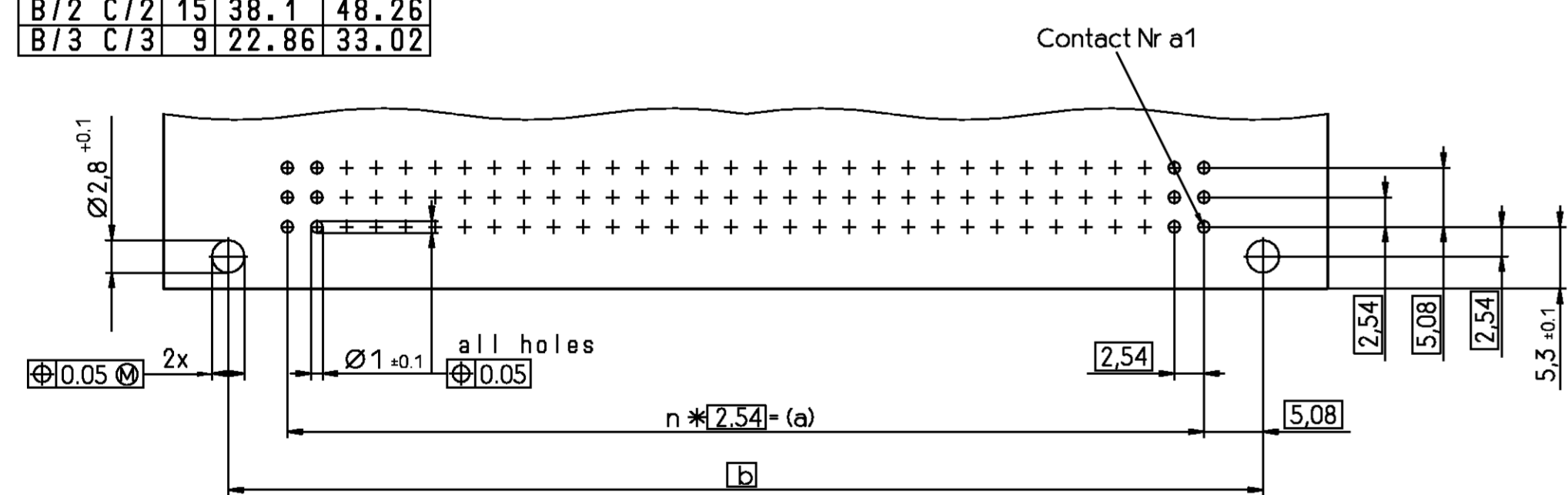
Housing material: PBTP 30% glassfilled (UL94V-0)  
pebble grey (similar RAL 7032)



Housing material: PBTP 30% glassfilled (UL94V-0)  
pebble grey (similar RAL 7032)

Bauform	n	a	b
B	C	31	78.74
B/2	C/2	15	38.1
B/3	C/3	9	22.86

Mounting holes in PCB



V 4 2 2 5 4 - \* 1 \* \* \* - + \* \* \*

B : Standard version  
F : Version with flux tight coating

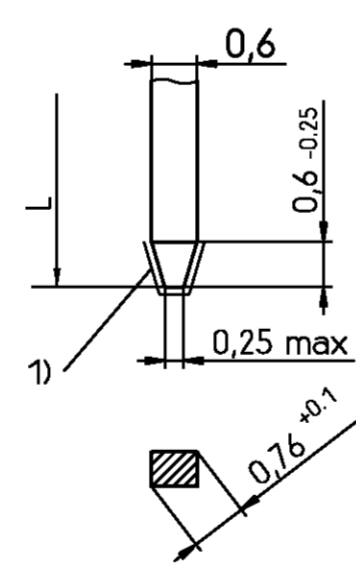
code for performance level  
code for termination style

Style, no of contacts  
and contact assignment  
see page 2

THIS INFORMATION IS CONFIDENTIAL AND PROPRIETARY TO TYCO ELECTRONICS CORPORATION AND ITS WORLDWIDE SUBSIDIARIES AND AFFILIATES. IT MAY NOT BE DISCLOSED TO ANYONE, OTHER THAN TYCO ELECTRONICS CORPORATION, WITHOUT WRITTEN AUTHORIZATION FROM TYCO ELECTRONICS CORPORATION, HARRISBURG, PENNSYLVANIA USA.

Termination Style

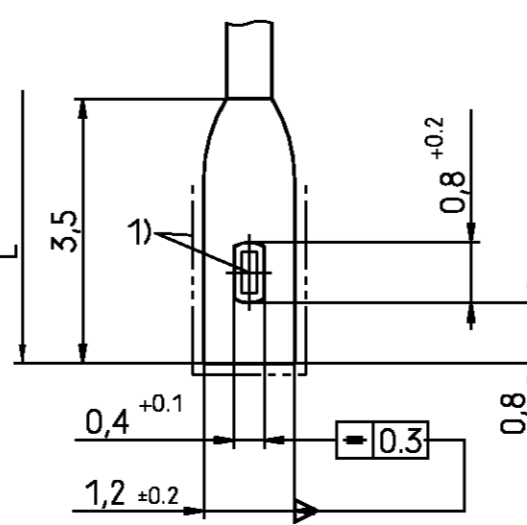
Soldering/Wire-Wrap pins



1) Cutting, edges not plated

Terminations with galvanic Sn plating

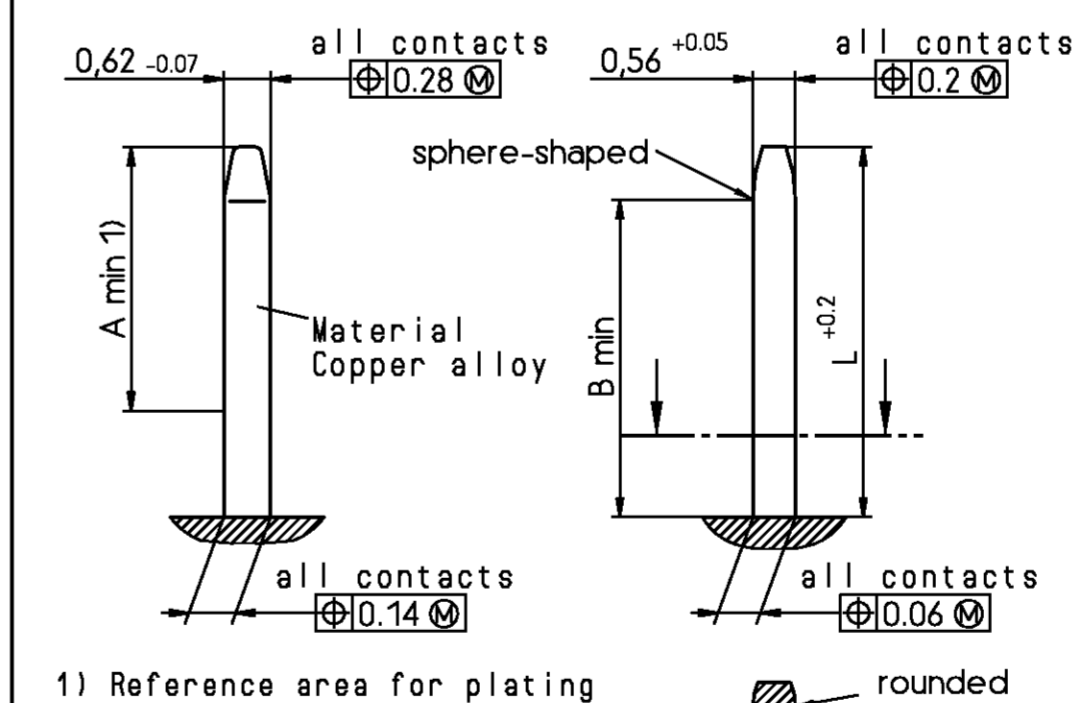
Soldering lug



	L	Code
	3 -0.4	00
	2.9±0.3	01
	4.5±0.3	02
	13 +0.5	40
	11 +0.5	41
	17 +0.5	42
Soldering lugs	5.5±0.3 10 -0.5	35

V42254-B1\*\*\*-C\*\*\*

Contact: Dimensions, plating, material, pre-mating



1) Reference area for plating

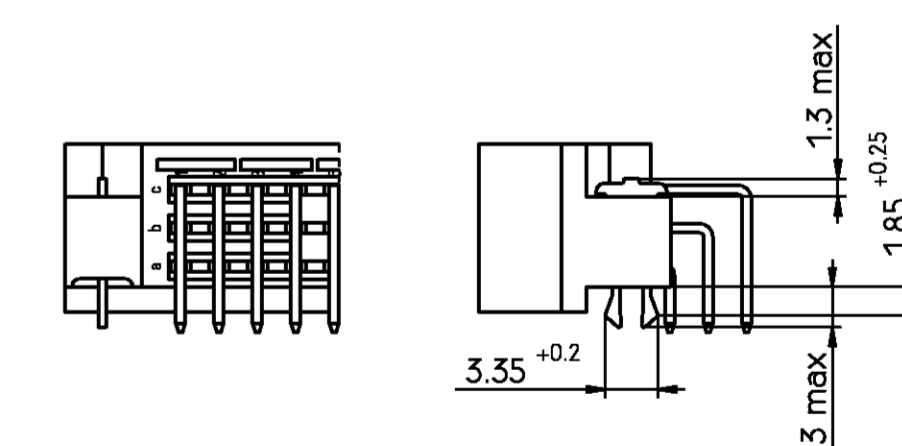
	L	A	B
normal contacts	4.8	3.5	4.2
pre-mating contacts	5.8	4.5	5.2

V42254-B1\*\*\*-C\*\*\*

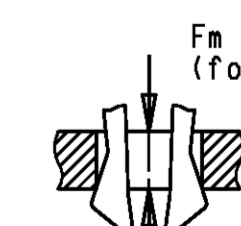
Performance level acc to DIN41612 and IEC603-2	Noble metals	Code
Class I	PdNi + Au or Au	1
	Au	4
Class II	PdNi + Au or Au	2
	Au	5
Class III	PdNi + Au or Au	3

Nickel underlayer  
Protection film: HF-grease

Male connector with board locks



Mounted in PC-boards of 1.5 to 1.8 mm  
F<sub>m</sub> < 60 N  
F<sub>r</sub> > 20 N  
F<sub>r</sub> > 200 N, wenn soldered-in



F<sub>m</sub> = Mounting force (for 1 connector = 2 Clips)  
F<sub>r</sub> = Retention force (for 1 connector = 2 Clips)

Mounted in PC-boards over 1.8 mm  
F<sub>m</sub> < 60 N  
F<sub>r</sub> > 16 N



STE TE Connectivity

SCALE: DIMENSIONS IN MM

WEIGHT

MATERIAL

DATE: 10.02.89

NAME: Cuvelier

DEP: PD COM

PART NAME: Pin Assembly Eurocard Types B, C and short versions

PART NO: V42254-B1\*\*\*-C\*\*\*-7626

SH. 1+

ECO-17-002173 10MAR2017 SY

REV. CHANGE ORDER DATE APP


Customer Drawing Nr. C 1592009-B

OF 2

Product description code	Part Number	Style & Number of Positions	Termination Posts	Loaded Rows	Standard Pre-Mating (mm J)	Performance Level	Board Locks
SUPERSEDED BY 5-1393644-6	V42254-B1100-B200	1393644-1	B20	right-angle solder leads	every row, every pitch	No	1 No
	V42254-B1100-B230	1393644-2	B20	right-angle solder leads	every row, every pitch	Yes	1 No
SUPERSEDED BY 5-1393644-9	V42254-B1100-B320	1393644-3	B32	right-angle solder leads	every row, every pitch	No	1 No
SUPERSEDED BY 6-1393644-3	V42254-B1100-B640	1393644-4	B64	right-angle solder leads	every row, every pitch	No	1 No
	V42254-B1100-B641	1393644-5	B64	right-angle solder leads	row a, every pitch	No	1 No
OBSOLETE	V42254-B1100-B645	1393644-6	B64	right-angle solder leads	every row, every even pitch	No	1 No
	V42254-B1100-C480	1393644-9	C48	right-angle solder leads	every row, every pitch	No	1 No
OBSOLETE	V42254-B1100-C483	1-1393644-0	C48	right-angle solder leads	every row, every pitch	No	1 No
	V42254-B1100-C910	1-1393644-2	C96	right-angle solder leads	row atc, every pitch	No	1 Yes
	V42254-B1100-C960	1-1393644-6	C96	right-angle solder leads	every row, every pitch	No	1 Yes
	V42254-B1100-C963	1-1393644-7	C96	right-angle solder leads	every row, every pitch	No	1 No
	V42254-B1100-C965	1-1393644-8	C96	right-angle solder leads	row atc, every pitch	No	1 No
	V42254-B1100-C968	1-1393644-9	C96	right-angle solder leads	every row, every even pitch	No	1 No
	V42254-B1100-C968H	2-1393644-0	C96	right-angle solder leads	row atc, every even pitch	No	1 No
OBSOLETE	V42254-B1101-B230	3-1393644-2	B20	2.9mm straight solder leads	every row, every pitch	Yes	1 No
	V42254-B1102-B320	3-1393644-3	B32	4.5mm straight solder leads	every row, every pitch	No	1 No
	V42254-B1102-B640	3-1393644-4	B64	4.5mm straight solder leads	every row, every pitch	No	1 No
	V42254-B1102-C960	3-1393644-5	C96	4.5mm straight solder leads	every row, every pitch	No	1 No
	V42254-B1102-C963	3-1393644-6	C96	4.5mm straight solder leads	row atc, every pitch	No	1 No
	V42254-B1135-B640	4-1393644-0	B64	solder lugs	every row, every pitch	No	1 No
OBSOLETE	V42254-B1200-B200	5-1393644-6	B20	right-angle solder leads	every row, every pitch	No	2 No
	V42254-B1200-B310	5-1393644-8	B32	right-angle solder leads	every row, every pitch	No	2 Yes
	V42254-B1200-B320	5-1393644-9	B32	right-angle solder leads	every row, every pitch	No	2 No
OBSOLETE	V42254-B1200-B321	6-1393644-0	B32	right-angle solder leads	row a, every pitch	No	2 No
	V42254-B1200-B610	6-1393644-3	B64	right-angle solder leads	every row, every pitch	No	2 Yes
OBSOLETE	V42254-B1200-B611	6-1393644-4	B64	right-angle solder leads	row a, every pitch	No	2 Yes
	V42254-B1200-B630	6-1393644-5	B64	right-angle solder leads	every row, every pitch	Yes	2 No
	V42254-B1200-B640	6-1393644-6	B64	right-angle solder leads	every row, every pitch	No	2 No
	V42254-B1200-B641	6-1393644-7	B64	right-angle solder leads	row a, every pitch	No	2 No
OBSOLETE	V42254-B1200-B645	6-1393644-8	B64	right-angle solder leads	every row, every even pitch	No	2 No
	V42254-B1200-C300	6-1393644-9	C30	right-angle solder leads	every row, every pitch	No	2 No
SUPERSEDED BY 6-1393644-9	V42254-B1200-C303	7-1393644-0	C30	right-angle solder leads	row atc, every pitch	No	2 No
	V42254-B1200-C310	7-1393644-1	C30	right-angle solder leads	every row, every pitch	No	2 Yes
SUPERSEDED BY 7-1393644-1	V42254-B1200-C313	7-1393644-2	C30	right-angle solder leads	row atc, every pitch	No	2 Yes
	V42254-B1200-C410	7-1393644-4	C48	right-angle solder leads	every row, every pitch	No	2 Yes
SUPERSEDED BY 5650978-5	V42254-B1200-C413	7-1393644-5	C48	right-angle solder leads	row atc, every pitch	No	2 Yes
	V42254-B1200-C430	7-1393644-6	C48	right-angle solder leads	every row, every pitch	Yes	2 No
OBSOLETE	V42254-B1200-C433	7-1393644-7	C48	right-angle solder leads	row atc, every pitch	No	2 No
	V42254-B1200-C453	7-1393644-9	C48	right-angle solder leads	row atc, every pitch	Yes	2 Yes
	V42254-B1200-C480	8-1393644-0	C48	right-angle solder leads	every row, every pitch	No	2 No
	V42254-B1200-C483	8-1393644-1	C48	right-angle solder leads	row atc, every pitch	No	2 No
OBSOLETE	V42254-B1200-C485	8-1393644-2	C48	right-angle solder leads	every row, every even pitch	No	2 No
	V42254-B1200-C910	8-1393644-3	C96	right-angle solder leads	every row, every pitch	No	2 Yes
OBSOLETE	V42254-B1200-C912	8-1393644-4	C96	right-angle solder leads	row atb, every pitch	No	2 Yes
	V42254-B1200-C913	8-1393644-5	C96	right-angle solder leads	row atc, every pitch	No	2 Yes
	V42254-B1200-C918	8-1393644-6	C96	right-angle solder leads	row atc, every even pitch	No	2 Yes
	V42254-B1200-C930	8-1393644-7	C96	right-angle solder leads	every row, every pitch	Yes	2 No
	V42254-B1200-C933	8-1393644-8	C96	right-angle solder leads	row atc, every pitch	Yes	2 No
OBSOLETE	V42254-B1200-C938	8-1393644-9	C96	right-angle solder leads	row atc, every even pitch	Yes	2 No
	V42254-B1200-C953	9-1393644-0	C96	right-angle solder leads	row atc, every pitch	Yes	2 Yes
	V42254-B1200-C960	9-1393644-1	C96	right-angle solder leads	every row, every pitch	No	2 No
OBSOLETE	V42254-B1200-C960B	9-1393644-2	C96	right-angle solder leads	every row, every pitch	No	2 No
	V42254-B1200-C961	9-1393644-3	C96	right-angle solder leads	row a, every pitch	No	2 No
	V42254-B1200-C963	9-1393644-4	C96	right-angle solder leads	row atc, every pitch	No	2 No
OBSOLETE	V42254-B1200-C963B	9-1393644-5	C96	right-angle solder leads	row atc, every pitch	No	2 No
	V42254-B1200-C965	9-1393644-6	C96	right-angle solder leads	every row, every even pitch	No	2 No
	V42254-B1200-C968	9-1393644-7	C96	right-angle solder leads	row atc, every even pitch	No	2 No
OBSOLETE	V42254-B1201-B320	2-1393645-5	B32	2.9mm straight solder leads	every row, every pitch	No	2 No
	V42254-B1201-B640	1392009-8	B64	2.9mm straight solder leads	every row, every pitch	No	2 No
	V42254-B1201-C300	2-1393645-6	C30	2.9mm straight solder leads	every row, every pitch	No	2 No
	V42254-B1201-C480	2-1393645-7	C48	2.9mm straight solder leads	every row, every pitch	No	2 No
	V42254-B1201-C960	2-1393502-6	C96	2.9mm straight solder leads	every row, every pitch	No	2 No
	V42254-B1201-C963	2-1393502-7	C96	2.9mm straight solder leads	row atc, every pitch	No	2 No
	V42254-B1202-B200	2-1393645-9	B20	4.5mm straight solder leads	every row, every pitch	No	2 No
	V42254-B1202-B320	3-1393645-0	B32	4.5mm straight solder leads	every row, every pitch	No	2 No
	V42254-B1202-B640	3-1393645-1	B64	4.5mm straight solder leads	every row, every pitch	No	2 No
	V42254-B1202-C300	1392009-9	C30	4.5mm straight solder leads	every row, every pitch	No	2 No
	V42254-B1202-C480	3-1393645-4	C48	4.5mm straight solder leads	every row, every pitch	No	2 No
	V42254-B1202-C483	3-1393645-5	C48	4.5mm straight solder leads	row atc, every pitch	No	2 No
	V42254-B1202-C960	3-1393645-6	C96	4.5mm straight solder leads	every row, every pitch	No	2 No
	V42254-B1202-C963	3-1393645-7	C96	4.5mm straight solder leads	row atc, every pitch	No	2 No
	V42254-B1202-C968	3-1393645-8	C96	4.5mm straight solder leads	row atc, every even pitch	No	2 No
OBSOLETE	V42254-B1235-C480	4-1393645-5	C48	solder lugs	every row, every pitch	No	2 No
	V42254-B1235-C960	4-1393645-7	C96	solder lugs	every row, every pitch	No	2 No
	V42254-B1235-C963	4-1393645-8	C96	solder lugs	row atc, every pitch	No	2 No
	V42254-B1240-B320	5-1393645-1	B32	13mm straight wire-wrap pins	every row, every pitch	No	2 No
	V42254-B1240-B640	5-1393645-2	B64	13mm straight wire-wrap pins	every row, every pitch	No	2 No
	V42254-B1240-C300	5-1393645-3	C30	13mm straight wire-wrap pins	every row, every pitch	No	2 No
	V42254-B1240-C480	5-1393645-4	C48	13mm straight wire-wrap pins	every row, every pitch	No	2 No
	V42254-B1240-C960	5-1393645-5	C96	13mm straight wire-wrap pins	every row, every pitch	No	2 No
	V42254-B1240-C963	5-1393645-7	C96	13mm straight wire-wrap pins	row atc, every pitch	No	2 No
	V42254-B1240-C963B	5-1393645-8	C96	13mm straight wire-wrap pins	row atc, every pitch	No	2 No
SUPERSEDED BY 6-1393644-6	V42254-B1300-B640	4-1393646-5	B64	right-angle solder leads	every row, every pitch	No	3 No
SUPERSEDED BY 9-1393644-1	V42254-B1300-C960	4-1393646-6	C96	right-angle solder leads	every row, every pitch	No	3 No
SUPERSEDED BY 9-1393644-4	V42254-B1300-C963	4-1393646-7	C96	right-angle solder leads	row atc, every pitch	No	3 No
	V42254-F1200-C480	1-1393647-2	C48	right-angle solder leads	every row, every pitch	No	2 No
	V42254-F1200-C960	1-1393647-3	C96	right-angle solder leads	every row, every pitch	No	2 No
	V42254-F1200-C963	1-1393647-4	C96	right-angle solder leads	row atc, every pitch	No	2 No

- 4) According BT 236 level 2.  
3) According BT 222 level 1.  
2) Connectors have a flux-tight coating.  
1) First and last contact of each loaded row is a pre-mating (make first / break last) contact.

Active part numbers.  
Contact TE for other configuration availability

 TE Connectivity		SCALE		WEIGHT	
MATERIAL		DIMENSIONS IN MM		PART NAME	
B6	ECR-10-004503	13SEP11	MKO	DATE	10.02.89
B5	ECR-10-002555	01JUN10	MKO	NAME	Cavelier
B4	SR10-0177-03	18 JUN 03	KV	DEP	PE Com
B3	SR10-0415-02	16 Sep 02	BC		
B2	SR10-0157-02	13 Mar 02	BC		
B1	SR10-0130-02	28 Feb 02	BC		
B	SR10-0198-01	21.05.01	BC		
A	IWO 007012	20.07.00	VVS		
REV	CHANGE ORDER	DATE	APP	Customer Drawing Nr.	C 1392009-8
Pin Assembly Eurocard				Types B, C and short versions	
PART NO.				V42254-B1***-C***-7626	
TOLERANCE UNLESS SPECIFIED OTHERWISE				SHT. 2-	
OF 2					

## X-ON Electronics

Largest Supplier of Electrical and Electronic Components

*Click to view similar products for [DIN 41612 Connectors](#) category:*

*Click to view products by [TE Connectivity](#) manufacturer:*

Other Similar products are found below :

[004.767](#) [608489050008049](#) [691327-1](#) [74670-0732](#) [74680-0340](#) [75880-0015](#) [76453-0014](#) [86093159ALF](#) [9732967801](#) [QLC260R](#)  
[120X10019X](#) [120X10089X](#) [122A10249X](#) [122A11089X](#) [122A13089X](#) [122A10089X](#) [122A10129X](#) [122A10349X](#) [122A13359X](#) [1377391-4](#)  
[DIN-048CPC-SR1-MH](#) [1393583-2](#) [1393726-7](#) [140X10129X](#) [143-1913-000](#) [143-1908-000](#) [1484472-1](#) [2110070-1](#) [2110070-2](#) [CBC20T00-](#)  
[008FDS5-0-1-002VR](#) [172699-5036](#) [2-1393557-4](#) [2-1437084-2](#) [394506](#) [419-2080-402](#) [V42254B2202C968](#) [419-2086-201](#) [419-2087-002](#)  
[448657-1](#) [448847-3](#) [5-1393755-9](#) [02990000004](#) [054302](#) [043556](#) [09062483201750](#) [0850033067](#) [09031646555](#) [09061486901840](#)  
[09185107324800](#) [102A10019X](#)