

Molded Parts Specification Control Drawing

Part Number : 214A311 thru 352
Description : Boot, Rectangular, Subminiature, Straight, Overexpanded

NOTES

- All dimensions are in $\frac{\text{inches}}{\text{[millimeters]}}$
- Dimensions appearing in table are as follows:
 - a - As Supplied
 - b - After Unrestricted Recovery
- Coating is optional. As supplied dimensions appearing in table are for uncoated parts. When coating is added, entry diameters will be reduced by .06 max.
- Molding ports are optional. When -00 modification number is specified molding ports will be located as shown.

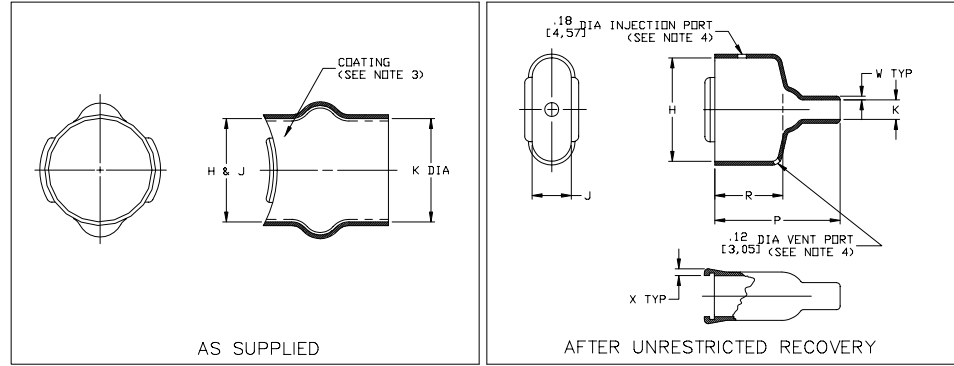


TABLE OF DIMENSIONS

PART NUMBER	H		J		K		P	R	W	X	This Boot Fits					
	Min	±5%	Min	±5%	Min	Max					±10%	±10%	±20%	±20%	Canon - Cinch	Amphenol Series 17
	a	b	a	b	a	b					b	b	b			
214A311	.63 [16,0]	.80 [20,3]	.63 [16,0]	.42 [10,7]	.63 [16,0]	.16 [4,1]	1.31 [33,3]	.75 [19,1]	.04 [1,0]	.12 [3,0]	DE-9	XX09X				
214A321	.75 [19,1]	1.11 [28,2]	.75 [19,1]	.42 [10,7]	.75 [19,1]	.21 [5,3]	1.53 [38,9]	.87 [22,1]	.04 [1,0]	.12 [3,0]	DA-15	XX15X				
214A332	1.15 [29,2]	1.66 [42,2]	1.15 [29,2]	.42 [10,7]	1.15 [29,2]	.32 [8,1]	1.77 [45,0]	1.00 [25,4]	.04 [1,0]	.12 [3,0]	DB-25	XX25X				
214A342	1.35 [34,3]	2.31 [58,7]	1.35 [34,3]	.42 [10,7]	1.35 [34,3]	.34 [8,6]	2.10 [53,3]	1.12 [28,4]	.04 [1,0]	.12 [3,0]	DC-37	XX37X				
214A352	1.48 [37,6]	2.28 [57,9]	1.48 [37,6]	.54 [13,7]	1.48 [37,6]	.42 [10,7]	2.40 [61,0]	1.25 [31,8]	.04 [1,0]	.12 [3,0]	DD-50	XX50X				

TYCO Electronics Raychem
TYCO ELECTRONICS
307 CONSTITUTION DRIVE
MENLO PARK, CALIFORNIA 94025

Revision : M
Date : 10/04/01

Part Number : 214A311 thru 352
Description : Boot, Rectangular, Subminiature, Straight, Overexpanded

Molded Parts Specification Control Drawing

Part Number : 214A311 thru 352
Description : Boot, Rectangular, Subminiature, Straight, Overexpanded

MATERIAL DASH NO.	MATERIAL DESCRIPTION	RT SPEC	COATING SLASH NO.	COATING S NO.	COATING DESCRIPTION
-3	Polyolefin, Semi-rigid	RT-301	/42;/86	S-1017;S-1048	Adhesive
-4	Polyolefin, Flexible	RT-1304	/42;/86	S-1017;S-1048	Adhesive
-5	Elastomer, Flexible	RT-501	/42	S-1017	Adhesive
-8	Polyolefin, Space	RT-1308	N/A		
-25	Elastomer, Fluid Resistant	RT-1325	/86;/225	S-1048;S-1206	Adhesive
-100	Polyolefin Semi-Flexible ZEROHAL™	RT-1323	/86	S-1048	Adhesive

ORDERING INFORMATION

214A3XX -XX -XX /XXX

Base part number _____

Material dash number (See Compatability Chart) _____

Modification number (if necessary, see front of scd binder for a complete list) _____

Adhesive slash number (if necessary, see Compatability Chart) _____

THIS DRAWING IS SUBJECT TO CHANGE WITHOUT NOTICE; CONSULT YOUR NEAREST FIELD REPRESENTATIVE FOR CURRENT REVISION

TYCO Electronics Raychem
TYCO ELECTRONICS
307 CONSTITUTION DRIVE
MENLO PARK, CALIFORNIA 94025

Revision : M
Date : 10/04/01

Part Number : 214A311 thru 352
Description : Boot, Rectangular, Subminiature, Straight, Overexpanded

X-ON Electronics

Largest Supplier of Electrical and Electronic Components

Click to view similar products for [Heat Shrink Cable Boots & End Caps](#) *category:*

Click to view products by [TE Connectivity](#) *manufacturer:*

Other Similar products are found below :

[007758-000](#) [610368N003](#) [618803-000](#) [M85049/141-02HU](#) [M85049/141-03HU](#) [M85049/141-04HU](#) [705331-000](#) [718446-000](#) [725666N001](#) [F27131-000](#) [770-006A103R](#) [770-006A304W1](#) [770-006A305W1](#) [770-006A308W1](#) [770-011T303W1](#) [770-011T304W1](#) [770-020S702W1](#) [770-020S704W1](#) [806138-000](#) [806542N001](#) [808828-000](#) [809218-000](#) [811218-000](#) [811288-000](#) [812014-000](#) [812047-000](#) [814417-000](#) [814741-000](#) [819115N001](#) [823070-000](#) [825002-000](#) [866647-000](#) [950764-000](#) [957073-000](#) [980579N001](#) [987856-000](#) [1-1773456-5](#) [1-1773456-9](#) [D96192-000](#) [163549-000](#) [180165-000](#) [1954015-1](#) [202A121-4/42-0-CS8414](#) [202A343-3-00-0](#) [202C241-13-0](#) [202D211-3-22/42-0](#) [202D221-4-22/180-0](#) [202E334-51-0-CS5324](#) [202F211-51-07/86-0](#) [222D185-25-03-0-CS7087](#)