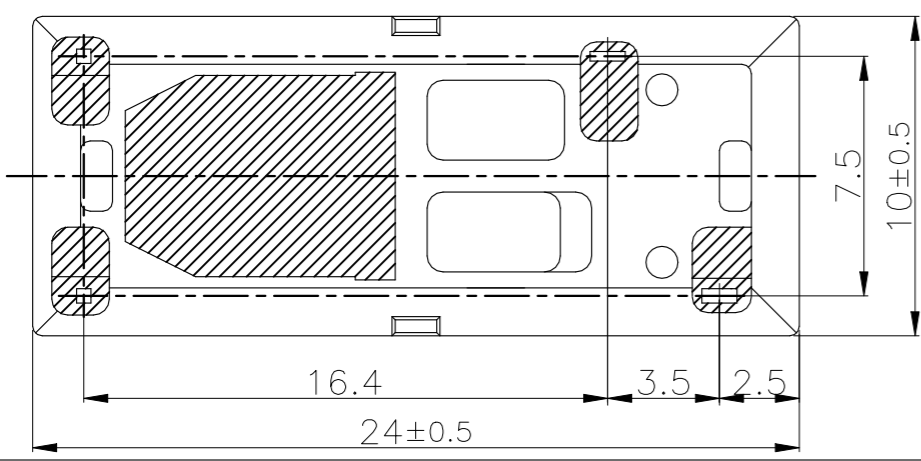
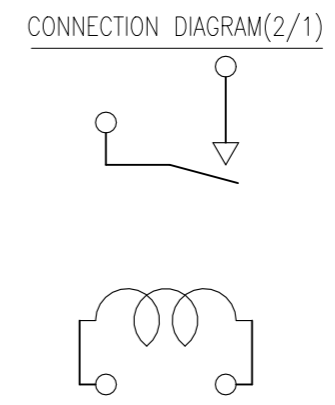
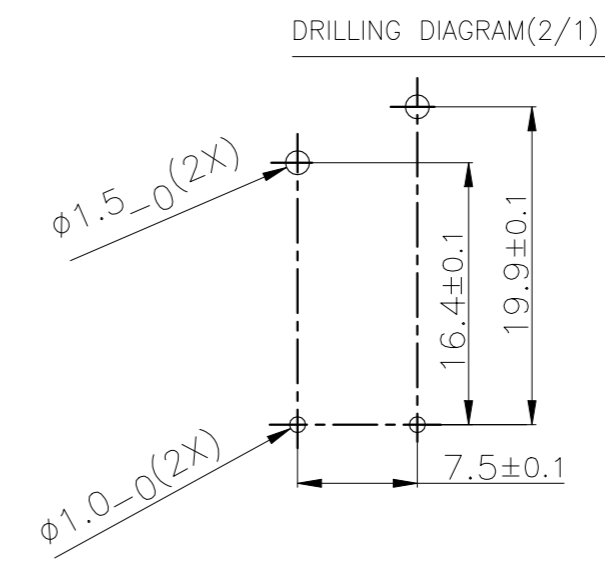
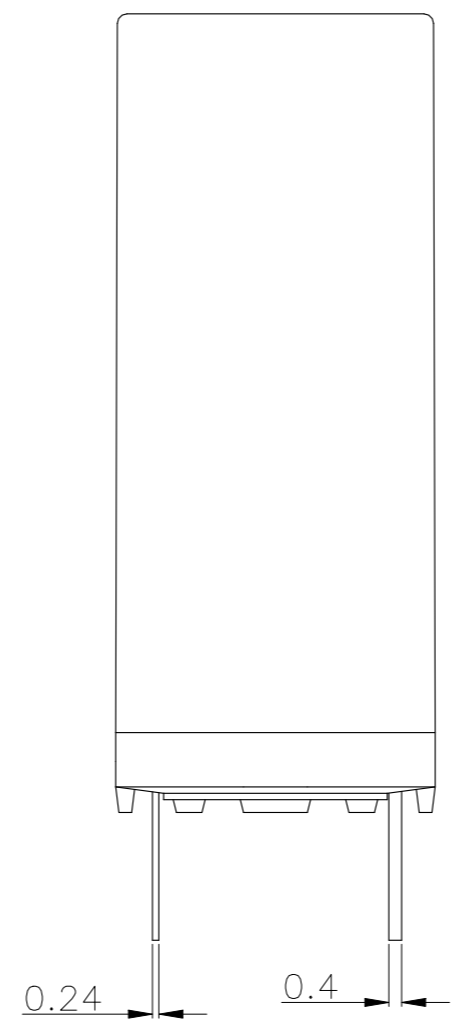
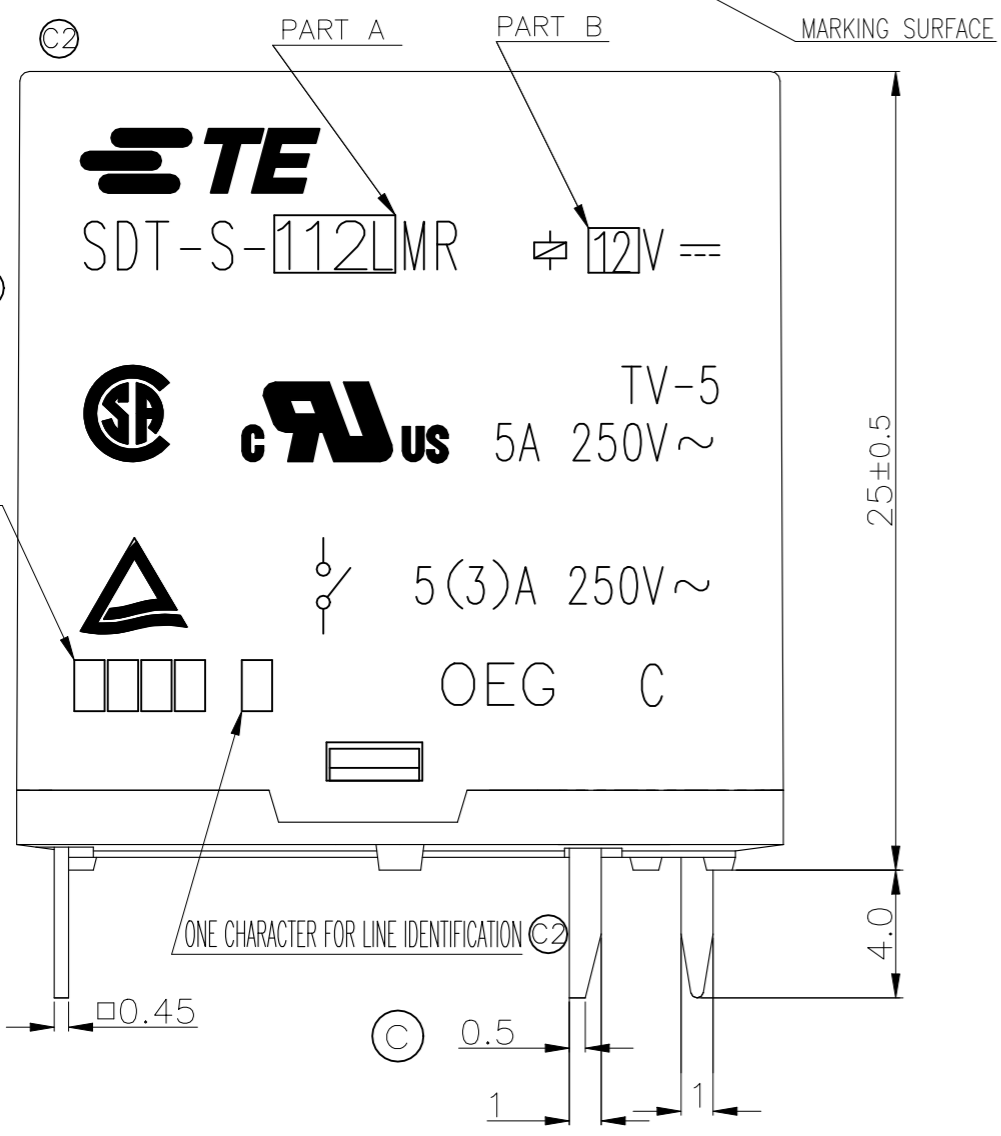
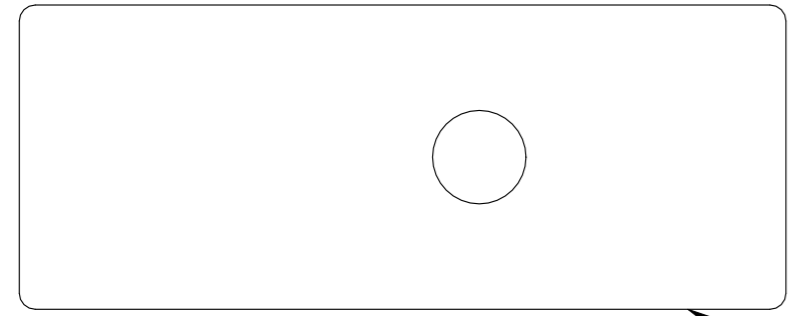


THIS DRAWING IS UNPUBLISHED. RELEASED FOR PUBLICATION
 COPYRIGHT ALL RIGHTS RESERVED.

LOC	DIST	REVISIONS					
		P	LTR	DESCRIPTION	DATE	DWN	APVD
			D	CHANGE RAW MATERIAL OF CARD ECO-19-012552	14-AUG-19	TOD	K.T
			D1	REMOVED SEMKO LOGO ECN-21-112550	14-AUG-21	G.R	K.T



DIMENSIONS: mm	TOLERANCES UNLESS OTHERWISE SPECIFIED: 0 PLC ± 1 PLC ± 2 PLC ± 3 PLC ± 4 PLC ±	DWN	M.INNAMI		
		CHK	T.FUKAYA		
MATERIAL SEE MATERIAL TABLE	FINISH -	APVD	K.NARA		
		PRODUCT SPEC	-		
		APPLICATION SPEC	-		
		WEIGHT	-		
		CUSTOMER DRAWING	-		
		TE Connectivity		NAME	
		SDT-S-1**LMR CUSTOMER DRAWING			RESTRICTED TO
		SIZE	CAGE CODE	DRAWING NO	
		A3	00779	7-1419125-9	
		SCALE	SHEET	OF	REV
		4:1	1	2	D1

4

3

2

1

THIS DRAWING IS UNPUBLISHED.

RELEASED FOR PUBLICATION

COPYRIGHT

ALL RIGHTS RESERVED.

LOC
HB

DIST

REVISIONS

P	LTR	DESCRIPTION	ECN	DATE	DWN	APVD

3-1419153-8	SDT-S-112LMR	SDT-S-112LMR	12V	g
1419126-2	SDT-S-124LMR	SDT-S-124LMR	24V	f
9-1419125-9	SDT-S-112LMR	SDT-S-112LMR	12V	e
9-1419125-2	SDT-S-109LMR	SDT-S-109LMR	9V	d
8-1419125-5	SDT-S-106LMR	SDT-S-106LMR	6V	c
8-1419125-1	SDT-S-105LMR	SDT-S-105LMR	5V	b
7-1419125-9	SDT-S-103LMR	SDT-S-103LMR	3V	a
PART NO	TYPE NAME	PART A	PART B	ITEM

RELAY TYPE (B)

NOTE:

(C) 1. LOT NO. SYSTEM AS FOLLOWING:



WEEK


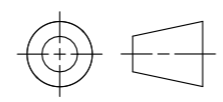
YEAR

(C2) 2. TERMINAL DIMENSION DOES NOT INCLUDE SOLDER TIP

(C2) 3. FOR THE TIN-PLATING OF THE PINS: +0.1mm FOR WIDTH, THICKNESS AND DIAMETER
+0.5mm FOR LENGTH

Diagram dimension	Tolerance
max. 1mm	±0.1mm
1 ~ 3mm	±0.2mm
min. 3mm	±0.3mm

		PPS (C)	CARD	14
		EPOXY	SEALING RESIN	13
		U.E.W	MAGNET WIRE	12
94V-0		P.B.T	BOBBIN	11
	SOLDER DIP	C.P WIRE	COIL TERMINAL	10
94V-0		P.B.T	CASE	9
		Ag ALLOY	STATIONARY CONTACT	8
		Ag ALLOY	MOVABLE CONTACT	7
		STAINLESS(SUS301)	HINGE SPRING	6
	SOLDER DIP	Cu ALLOY	STATIONARY TERMINAL	5
	SOLDER DIP	Cu ALLOY	MOVABLE SPRING	4
	Ni PLATING	STEEL(SPCC)	CORE	3
	Ni PLATING	STEEL(SPCC)	ARMATURE BRACKET	2
	Ni PLATING	STEEL(SPCC)	FRAME BRACKET	1
INCOMBUSTIBILITY	TREATMENT	MATERIAL	DESCRIPTION	ITEM

DIMENSIONS: mm	TOLERANCES UNLESS OTHERWISE SPECIFIED: 0 PLC ± 1 PLC ± 2 PLC ± 3 PLC ± 4 PLC ±	DWN	M.INNAMI	 TE Connectivity	
		CHK	T.FUKAYA		
	MATERIAL SEE MATERIAL TABLE	APVD	K.NARA		NAME SDT-S-1**LMR CUSTOMER DRAWING
		PRODUCT SPEC	—		SIZE
		APPLICATION SPEC	—	CAGE CODE	00779
		WEIGHT	—	DRAWING NO	(C) 7-1419125-9
		FINISH	—	RESTRICTED TO	
		CUSTOMER DRAWING		SCALE	4:1
				SHEET	2 OF 2
				REV	D1

X-ON Electronics

Largest Supplier of Electrical and Electronic Components

Click to view similar products for [General Purpose Relays](#) category:

Click to view products by [TE Connectivity](#) manufacturer:

Other Similar products are found below :

[PCN-105D3MH,000](#) [59641F200](#) [LY1SAC110120](#) [5X827E](#) [5X837F](#) [5X840F](#) [5X842F](#) [5X848E](#) [LY2N-AC120](#) [LY2S-AC220/240](#) [LY2-US-AC120](#) [LY3-US-AC120](#) [LY4F-UA-DC12](#) [LY4F-UA-DC24](#) [LY4F-US-AC120](#) [LY4F-US-AC240](#) [LY4F-US-DC24](#) [LY4F-VD-AC110](#) [LYQ20DC12](#) [M115C60](#) [M115N010](#) [M115N0150](#) [6031007G](#) [603-12D](#) [61211T0B4](#) [61212T400](#) [61222Q400](#) [61243B600](#) [61243C500](#) [61243Q400](#) [61311BOA2](#) [61311BOA6](#) [61311BOA8](#) [61311COA2](#) [61311COA1](#) [61311COA6](#) [61311F0A2](#) [61311QOA1](#) [61311QOA4](#) [61311T0D6](#) [61311TOA6](#) [61311TOA7](#) [61311TOB3](#) [61311TOB4](#) [61311U0A6](#) [61312Q600](#) [61312T400](#) [61312T600](#) [61313U200](#) [61313U400](#)