

REVISIONS		
LTR	DESCRIPTION	DATE
K	ECO-09-027564	12/11/2009

NOTES

- ALL DIMENSIONS ARE IN $\frac{\text{INCHES}}{\text{[MILLIMETERS]}}$
- DIMENSIONS APPEARING IN TABLE ARE AS FOLLOWS:
 - a - AS SUPPLIED
 - b - AFTER UNRESTRICTED RECOVERY

3. COATING (ADHESIVE): IS OPTIONAL AS SUPPLIED DIMENSIONS APPEARING IN TABLE ARE FOR UNCOATED PARTS. WHEN COATING IS ADDED, ENTRY DIAMETER WILL BE REDUCED BY .06 [1.5] MAX.

4. MOLDING PORTS ARE OPTIONAL. WHEN -00 MODIFICATION NUMBER IS SPECIFIED MOLDING PORTS WILL BE LOCATED AS SHOWN.

5. ORDERING INFORMATION

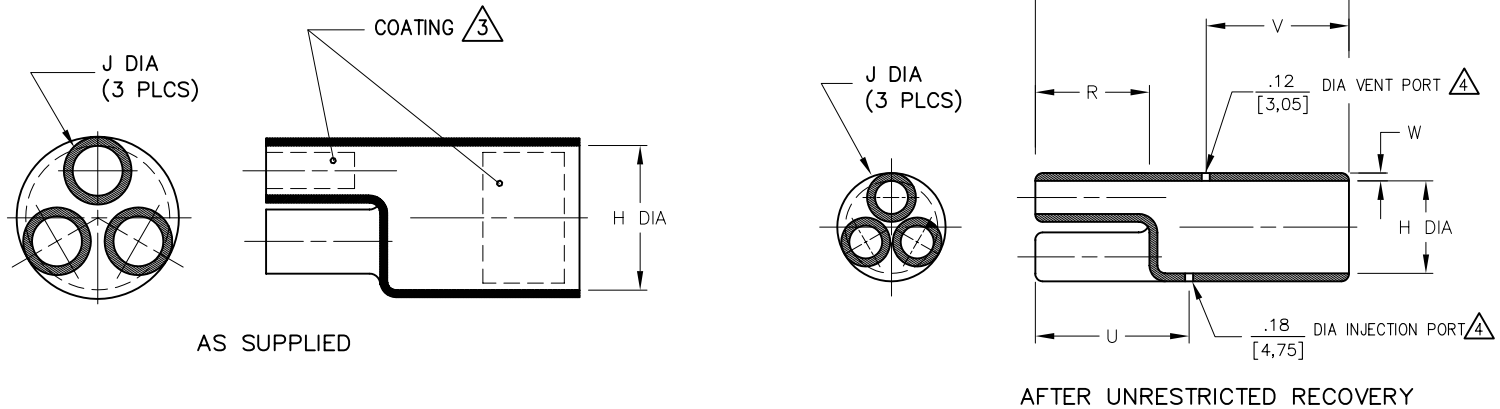
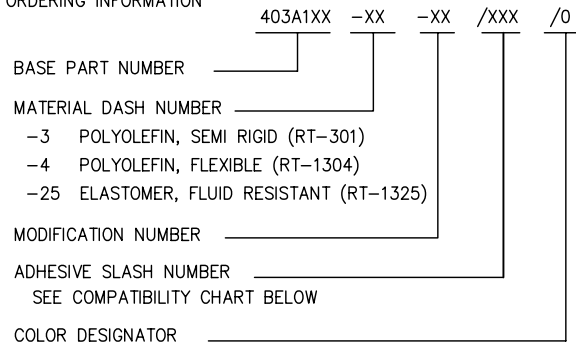


TABLE OF DIMENSIONS									
PART DESCRIPTION	H		J		P	R	W	U	V
	MIN a	MAX b	MIN a	MAX b	±10% b	MIN b	±20% b	REF b	REF b
403A123	1.25 [31,7]	.69 [17,5]	.55 [14,0]	.18 [4,6]	3.50 [88,9]	.80 [20,3]	.09 [2,3]	1.34 [34,0]	1.48 [37,6]
403A134	1.75 [44,4]	.90 [22,8]	.87 [22,0]	.32 [8,1]	3.50 [88,9]	1.20 [30,5]	.12 [3,1]	1.59 [40,4]	1.59 [40,4]
403A145	2.46 [62,5]	1.40 [35,6]	1.16 [29,5]	.50 [12,7]	5.00 [127,0]	1.50 [38,1]	.12 [3,0]	2.19 [55,6]	2.00 [50,8]
403A155	2.76 [70,1]	1.40 [35,6]	1.16 [29,5]	.50 [12,7]	5.00 [127,0]	1.50 [38,0]	.12 [3,0]	2.19 [55,6]	2.00 [50,8]

CUSTOMER DRAWING

COMPATIBILITY CHART		
MATERIAL DASH NO.	ADHESIVE (COATING) SLASH NO.	ADHESIVE (COATING) S NO.
-3	/42; /86; /87	S-1017; S-1048; S-1052
-4	/42; /86; /87	S-1017; S-1048; S-1052
-25	/86;	S-1048;

UNLESS OTHERWISE SPECIFIED DIMENSIONS ARE INCHES. METRIC DIMENSIONS ARE IN BRACKETS.

DECIMAL TOLERANCES

.XXX ± 0.005 [0.13 mm]

.XX ± 0.01 [0.25 mm]

.X ± 0.1 [0.50 mm]

ANGLE TOLERANCE

.X ± 1 DEG.

TYCO ELECTRONICS RESERVES THE RIGHT TO AMEND THIS DRAWING AT ANY TIME. USERS SHOULD EVALUATE THE SUITABILITY OF THE PRODUCT FOR THEIR APPLICATION.

DRAWN
UNGUYEN

APPROVED
STRAN

THIRD ANGLE PROJECTION

Raychem Molded Parts
305 Constitution Dr
Menlo Park, CA 94025

TITLE
CABLE BREAKOUT, 1 TO 3

SIZE B CODE IDENT. NO. 06090 DWG. NO. 403A123thru155

X-ON Electronics

Largest Supplier of Electrical and Electronic Components

Click to view similar products for [Heat Shrink Cable Boots & End Caps](#) category:

Click to view products by [TE Connectivity](#) manufacturer:

Other Similar products are found below :

[577159N001](#) [645494-000](#) [CX4132-000](#) [687025-000](#) [705331-000](#) [718446-000](#) [725666N001](#) [729257-000](#) [F27131-000](#) [F85868-000](#) [770-003S106W2](#) [770-013210W1](#) [770-013311](#) [770-013312](#) [806542N001](#) [807507-000](#) [808362-000](#) [808618-000](#) [809125-000](#) [809130-000](#) [809218-000](#) [812014-000](#) [812047-000](#) [813166-000](#) [813767N002](#) [814741-000](#) [819117N001](#) [823026-000](#) [823070-000](#) [841189N001](#) [861471-000](#) [866647-000](#) [879515-000](#) [937577-000](#) [957073-000](#) [982033-2](#) [A77813-000](#) [R280576000](#) [D96192-000](#) [163549-000](#) [EN3BOOTLKIT](#) [MTPSRBCL-C](#) [1954015-1](#) [200W531-3-0](#) [202A163-4-0-CS5067](#) [202A343-3-00-0](#) [202B221-13-0](#) [202B231-13-0](#) [202B563-25-07-0](#) [202C241-13-0](#)