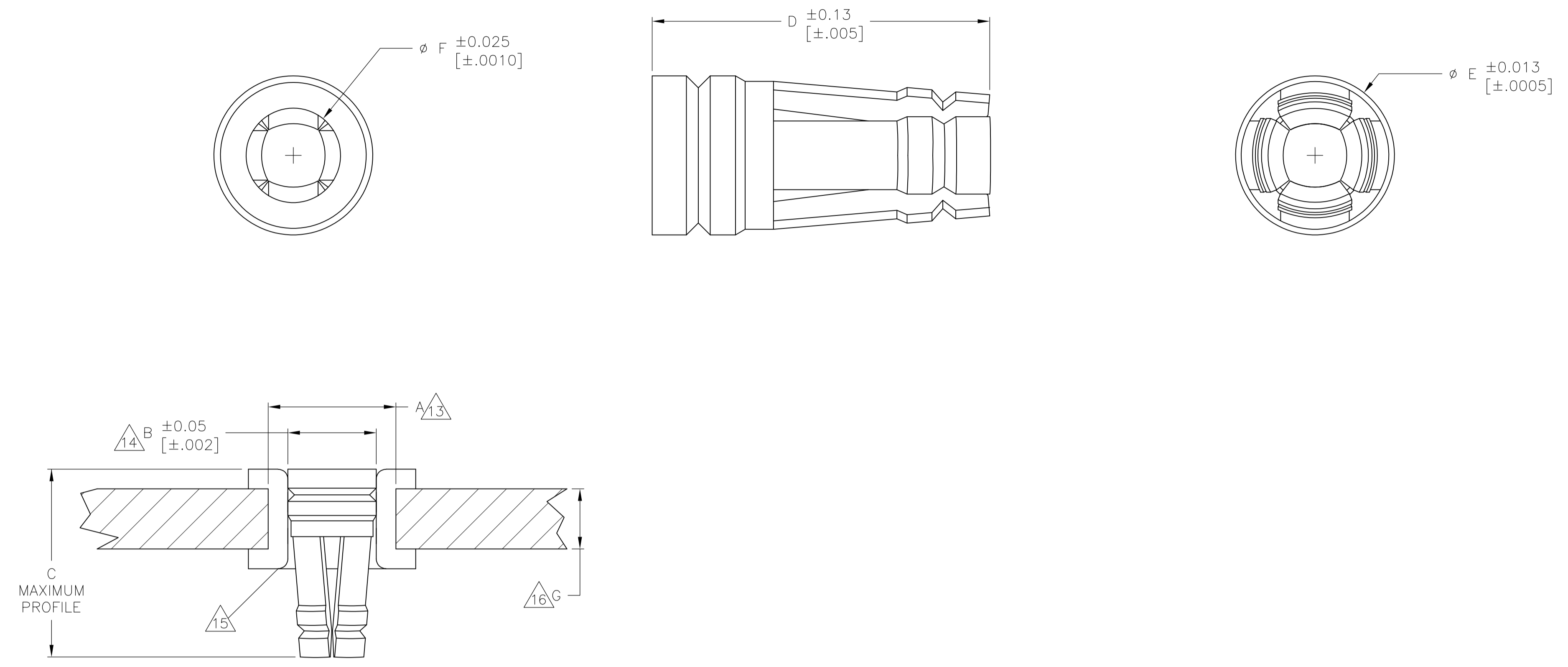


| LOC |             | DIST        |          | REVISIONS |      |  |  |
|-----|-------------|-------------|----------|-----------|------|--|--|
| P   | LTR         | DESCRIPTION | DATE     | DN        | APVD |  |  |
| C3  | REV PER ECO | 14-015891   | 10-21-14 | CT        | RG   |  |  |



PLATED-THROUGH-HOLE REQUIREMENTS  
SCALE 25:1

- 1 BERYLLIUM COPPER PER ATSM B197.
- 2 .000635 [.000025] MIN. GOLD OVER .001270 [.000050] MIN. NICKEL.
- 3 .000762 [.000030] MIN. GOLD OVER .001270 [.000050] MIN. NICKEL.
- 4 .002032 [.000080] MIN. MATTE TIN-LEAD OVER .001905 [.000075] MIN. COPPER.
- 5 QUALIFIED TO MILITARY SPECIFICATION MIL-DTL-83505/6
- 6 ROUND LEAD DIAMETER 0.41-0.53 [.016-.021].
- 7 ROUND LEAD DIAMETER 0.51-0.76 [.020-.030].
- 8 ROUND LEAD DIAMETER 0.64-0.89 [.025-.035].
- 9 ROUND LEAD DIAMETER 0.89-1.14 [.035-.045].
- 10 RECTANGULAR LEAD SIZE 0.28X0.46±0.05 [.011X.018±.002].
- 11 RECTANGULAR LEAD SIZE 0.64 SQ. [.025 SQ.].
- 12 LOW INSERTION/WITHDRAWAL FORCE PRODUCT.
- 13 NOMINAL DRILL SIZE FOR PRIMARY HOLE.
- 14 FINISHED HOLE DIAMETER.
- 15 PLATED-THRU HOLE FINISH: 0.0076-0.0127 [.0003-.0005] TIN-LEAD OVER 0.001 [.0254] MIN. COPPER
- 16 MINIMUM THICKNESS FOR THE CIRCUIT BOARD.
- 17 OVERSIZED PRODUCT- FOR USE WHEN THE FINISHED HOLE DIAMETER EXCEEDS 1.15 [.0453] BY 0.05 [.002] OR LESS.
- 18 THESE PRODUCTS ARE BULK PACKAGED.
- 19 .002032 [.000080] MIN. MATTE TIN (LEAD FREE) OVER .001905 [.000075] MIN COPPER
- 20 PRELIMINARY PART, NOT RELEASED FOR PRODUCTION.
- 21 .0046 [.000180] MIN TIN
- 22 OBSOLETE PARTS: OBSOLETE CIS STREAMLINING PER D.RENAUD/D.SINISI

22 OBSOLETE

| 0.76<br>[.030] | 1.07<br>[.042] | 1.588<br>[.0625] | 3.45<br>[.136] | 3.56<br>[.140] | 1.47<br>[.058] | 1.61<br>[.0635]  | 10,000              | 8 11                  | -                    | 4      | 8134-HC-8P3             | 2-1437506-8 |
|----------------|----------------|------------------|----------------|----------------|----------------|------------------|---------------------|-----------------------|----------------------|--------|-------------------------|-------------|
| 0.76<br>[.030] | .097<br>[.038] | 1.588<br>[.0625] | 3.45<br>[.136] | 3.56<br>[.140] | 1.47<br>[.058] | 1.61<br>[.0635]  | 10,000              | 7                     | -                    | 2      | 8134-HC-8P2             | 2-1437506-7 |
| 0.76<br>[.030] | .097<br>[.038] | 1.588<br>[.0625] | 3.45<br>[.136] | 3.56<br>[.140] | 1.47<br>[.058] | 1.61<br>[.0635]  | 10,000              | 7                     | -                    | 4      | 8134-HC-6P3             | 2-1437506-5 |
| 0.76<br>[.030] | .097<br>[.038] | 1.588<br>[.0625] | 3.45<br>[.136] | 3.56<br>[.140] | 1.47<br>[.058] | 1.61<br>[.0635]  | 10,000              | 7                     | -                    | 2      | 8134-HC-6P2             | 2-1437506-4 |
| 0.76<br>[.030] | 0.66<br>[.026] | 1.118<br>[.0440] | 2.39<br>[.094] | 2.54<br>[.100] | 1.04<br>[.041] | 1.15<br>[.0453]  | 10,000              | 6 10                  | -                    | 4      | 8134-HC-5P3             | 2-1437506-1 |
| 0.76<br>[.030] | 0.66<br>[.026] | 1.118<br>[.0440] | 2.39<br>[.094] | 2.54<br>[.100] | 1.04<br>[.041] | 1.15<br>[.0453]  | 10,000              | 6 10                  | -                    | 2      | 8134-HC-5P2             | 2-1437506-0 |
| 0.76<br>[.030] | 0.74<br>[.029] | 1.168<br>[.0460] | 2.39<br>[.094] | 2.54<br>[.100] | 1.09<br>[.043] | 1.150<br>[.0453] | 10,000              | 6 10                  | -                    | 4      | 8134-HC-14P3            | 1-1437506-7 |
| 0.76<br>[.030] | 0.74<br>[.029] | 1.168<br>[.0460] | 2.39<br>[.094] | 2.54<br>[.100] | 1.09<br>[.043] | 1.150<br>[.0453] | 10,000              | 6 10                  | -                    | 2      | 8134-HC-14P2            | 1-1437506-6 |
| 1.27<br>[.050] | 1.32<br>[.052] | 2.184<br>[.0860] | 3.96<br>[.156] | 4.06<br>[.160] | 2.08<br>[.082] | 2.22<br>[.0875]  | 10,000              | 9                     | -                    | 4      | 8134-HC-12P3            | 1-1437506-4 |
| 1.27<br>[.050] | 1.32<br>[.052] | 2.184<br>[.0860] | 3.96<br>[.156] | 4.06<br>[.160] | 2.08<br>[.082] | 2.22<br>[.0875]  | 10,000              | 9                     | -                    | 2      | 8134-HC-12P2            | 1-1437506-3 |
| 0.76<br>[.030] | 1.07<br>[.042] | 1.588<br>[.0625] | 3.45<br>[.136] | 3.56<br>[.140] | 1.47<br>[.058] | 1.61<br>[.0635]  | 50,000              | 8 11                  | -                    | 9      | 8134-HC-8P3LF           | 8-1437514-8 |
| 0.76<br>[.030] | 0.66<br>[.026] | 1.118<br>[.0440] | 2.39<br>[.094] | 2.54<br>[.100] | 1.04<br>[.041] | 1.15<br>[.0453]  | 50,000              | 6 10                  | -                    | 4      | 8134-HC-27P4            | 6-1437514-5 |
| 0.76<br>[.030] | 0.66<br>[.026] | 1.118<br>[.0440] | 2.39<br>[.094] | 2.54<br>[.100] | 1.04<br>[.041] | 1.15<br>[.0453]  | 50,000              | 6 10                  | -                    | 2      | 8134-HC-27P3            | 4-147699-4  |
| 0.76<br>[.030] | 0.74<br>[.029] | 1.168<br>[.0460] | 2.39<br>[.094] | 2.54<br>[.100] | 1.09<br>[.043] | 1.150<br>[.0453] | 50,000              | 6 10                  | -                    | 21     | 8134-HC-14P3            | 6-1437514-2 |
| 0.76<br>[.030] | 0.74<br>[.029] | 1.168<br>[.0460] | 2.39<br>[.094] | 2.54<br>[.100] | 1.09<br>[.043] | 1.150<br>[.0453] | 50,000              | 6 10                  | -                    | 2      | 8134-HC-14P2            | 6-1437514-1 |
| 1.27<br>[.050] | 1.32<br>[.052] | 2.184<br>[.0860] | 3.96<br>[.156] | 4.06<br>[.160] | 2.08<br>[.082] | 2.22<br>[.0875]  | 50,000              | 9                     | -                    | 4      | 8134-HC-12P3            | 6-1437514-0 |
| 1.27<br>[.050] | 1.32<br>[.052] | 2.184<br>[.0860] | 3.96<br>[.156] | 4.06<br>[.160] | 2.08<br>[.082] | 2.22<br>[.0875]  | 50,000              | 9                     | -                    | 19     | 8134-HC-12P3LF          | 8-1437514-9 |
| 0.76<br>[.030] | 1.07<br>[.042] | 1.588<br>[.0625] | 3.45<br>[.136] | 3.56<br>[.140] | 1.47<br>[.058] | 1.61<br>[.0635]  | 50,000              | 8 11                  | -                    | 3      | M83505/6-004/5          | 7-1437514-9 |
| 0.76<br>[.030] | 1.07<br>[.042] | 1.588<br>[.0625] | 3.45<br>[.136] | 3.56<br>[.140] | 1.47<br>[.058] | 1.61<br>[.0635]  | 50,000              | 8 11                  | -                    | 2      | 8134-HC-12P2            | 6-1437514-1 |
| 0.76<br>[.030] | 1.07<br>[.042] | 1.588<br>[.0625] | 3.45<br>[.136] | 3.56<br>[.140] | 1.47<br>[.058] | 1.61<br>[.0635]  | 50,000              | 8 11                  | -                    | 4      | 8134-HC-8P3             | 7-1437514-1 |
| 0.76<br>[.030] | 1.07<br>[.042] | 1.588<br>[.0625] | 3.45<br>[.136] | 3.56<br>[.140] | 1.47<br>[.058] | 1.61<br>[.0635]  | 50,000              | 8 11                  | -                    | 3      | M83505/6-003/5          | 8-1437514-2 |
| 0.76<br>[.030] | 1.07<br>[.042] | 1.588<br>[.0625] | 3.45<br>[.136] | 3.56<br>[.140] | 1.47<br>[.058] | 1.61<br>[.0635]  | 50,000              | 8 11                  | -                    | 2      | 8134-HC-8P2             | 7-1437514-0 |
| 0.76<br>[.030] | .097<br>[.038] | 1.588<br>[.0625] | 3.45<br>[.136] | 3.56<br>[.140] | 1.47<br>[.058] | 1.61<br>[.0635]  | 50,000              | 7                     | -                    | 19     | 8134-HC-6P3LF           | 9-1437514-1 |
| 0.76<br>[.030] | .097<br>[.038] | 1.588<br>[.0625] | 3.45<br>[.136] | 3.56<br>[.140] | 1.47<br>[.058] | 1.61<br>[.0635]  | 50,000              | 7                     | -                    | 4      | 8134-HC-6P3             | 6-1437514-9 |
| 0.76<br>[.030] | .097<br>[.038] | 1.588<br>[.0625] | 3.45<br>[.136] | 3.56<br>[.140] | 1.47<br>[.058] | 1.61<br>[.0635]  | 50,000              | 7                     | -                    | 3      | M83505/6-002/5          | 8-1437514-1 |
| 0.76<br>[.030] | .097<br>[.038] | 1.588<br>[.0625] | 3.45<br>[.136] | 3.56<br>[.140] | 1.47<br>[.058] | 1.61<br>[.0635]  | 50,000              | 7                     | -                    | 2      | 8134-HC-6P2             | 6-1437514-8 |
| 0.76<br>[.030] | .097<br>[.038] | 1.588<br>[.0625] | 3.45<br>[.136] | 3.56<br>[.140] | 1.47<br>[.058] | 1.61<br>[.0635]  | 50,000              | 7                     | -                    | 19     | 8134-HC-5P3LF           | 9-1437514-0 |
| 0.76<br>[.030] | .097<br>[.038] | 1.588<br>[.0625] | 3.45<br>[.136] | 3.56<br>[.140] | 1.47<br>[.058] | 1.61<br>[.0635]  | 50,000              | 7                     | -                    | 4      | 8134-HC-5P3             | 6-1437514-7 |
| 0.76<br>[.030] | .097<br>[.038] | 1.588<br>[.0625] | 3.45<br>[.136] | 3.56<br>[.140] | 1.47<br>[.058] | 1.61<br>[.0635]  | 50,000              | 7                     | -                    | 3      | M83505/6-001/5          | 8-1437514-0 |
| 0.76<br>[.030] | .097<br>[.038] | 1.588<br>[.0625] | 3.45<br>[.136] | 3.56<br>[.140] | 1.47<br>[.058] | 1.61<br>[.0635]  | 50,000              | 7                     | -                    | 2      | 8134-HC-5P2             | 6-1437514-6 |
| G              | F              | E                | D              | C              | B              | A                | PACKAGE QUANTITY 18 | RECOMMENDED LEAD SIZE | MILITARY PART NUMBER | FINISH | AUGAT PART NUMBER (REF) | PART NUMBER |

THIS DRAWING IS A CONTROLLED DOCUMENT.

DIMENSIONS: mm

TOLERANCES UNLESS OTHERWISE SPECIFIED:

|        |   |             |
|--------|---|-------------|
| 0. PLC | ± | -           |
| 1. PLC | ± | -           |
| 2. PLC | ± | 0.13 [.005] |
| 3. PLC | ± | -           |
| 4. PLC | ± | -           |
| ANGLES | ± | -           |

MATERIAL: 1

FINISH: SEE TABLE

THIS DRAWING IS A CONTROLLED DOCUMENT.

DIN M. BINNER 16MAY01

CHK: J. MOSIER

APVD: -

NAME: -

PRODUCT SPEC: 108-1979

APPLICATION SPEC: 114-13033

WEIGHT: -

CUSTOMER DRAWING

SCALE: NTS

SHEET: 1 of 1

REV: C3

STE TE Connectivity

HOLITE CONTACTS

SIZE: A1

CAGE CODE: 00779

DRAWING NO: 147699

## X-ON Electronics

Largest Supplier of Electrical and Electronic Components

*Click to view similar products for IC & Component Sockets category:*

*Click to view products by TE Connectivity manufacturer:*

Other Similar products are found below :

[0066-3-17-15-30-14-02-0](#) [670](#) [672](#) [673](#) [694-13-640-00-672-000](#) [712-93-120-41-001000](#) [714-93-104-31-018000](#) [8059-4G1-LF](#) [807-22-001-10-001101](#) [807-22-001-10-006101](#) [807-22-001-30-011101](#) [807-22-001-30-012101](#) [807-22-001-30-013101](#) [807-22-001-30-014101](#) [8-1437531-4](#) [8150-6P10](#) [833-93-034-10-001000](#) [851-41-006-10-001000](#) [851-43-008-20-001000](#) [851-43-014-20-001000](#) [851-93-006-20-001000](#) [851-93-010-20-001000](#) [853-43-020-10-001000](#) [86.010.0053.0](#) [116-43-308-41-007000](#) [PX-68LCC](#) [121-13-318-41-001000](#) [121-13-320-41-001000](#) [121-13-308-41-001000](#) [123-43-314-41-801000](#) [123-43-420-41-001000](#) [122-13-316-41-001000](#) [123-13-624-41-001000](#) [123-43-306-41-001000](#) [12-3513-11](#) [123-91-320-41-001000](#) [126-43-310-41-002000](#) [AKSUN 37V-T](#) [1437503-9](#) [1437504-1](#) [146-44-308-41-013000](#) [146-43-308-41-012000](#) [160-10-308-00-001000](#) [160-40-320-00-001000](#) [214-99-306-01-670800](#) [232-1270-02-0602](#) [2-382761-4](#) [2-5331677-4](#) [2-640360-3](#) [2801-2-00-50-00-00-07-0](#)