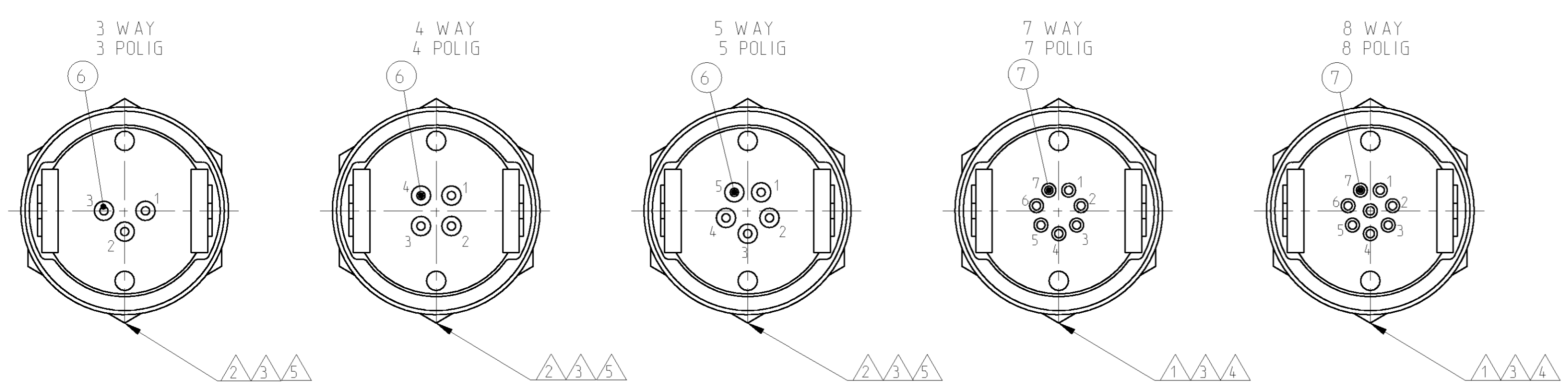
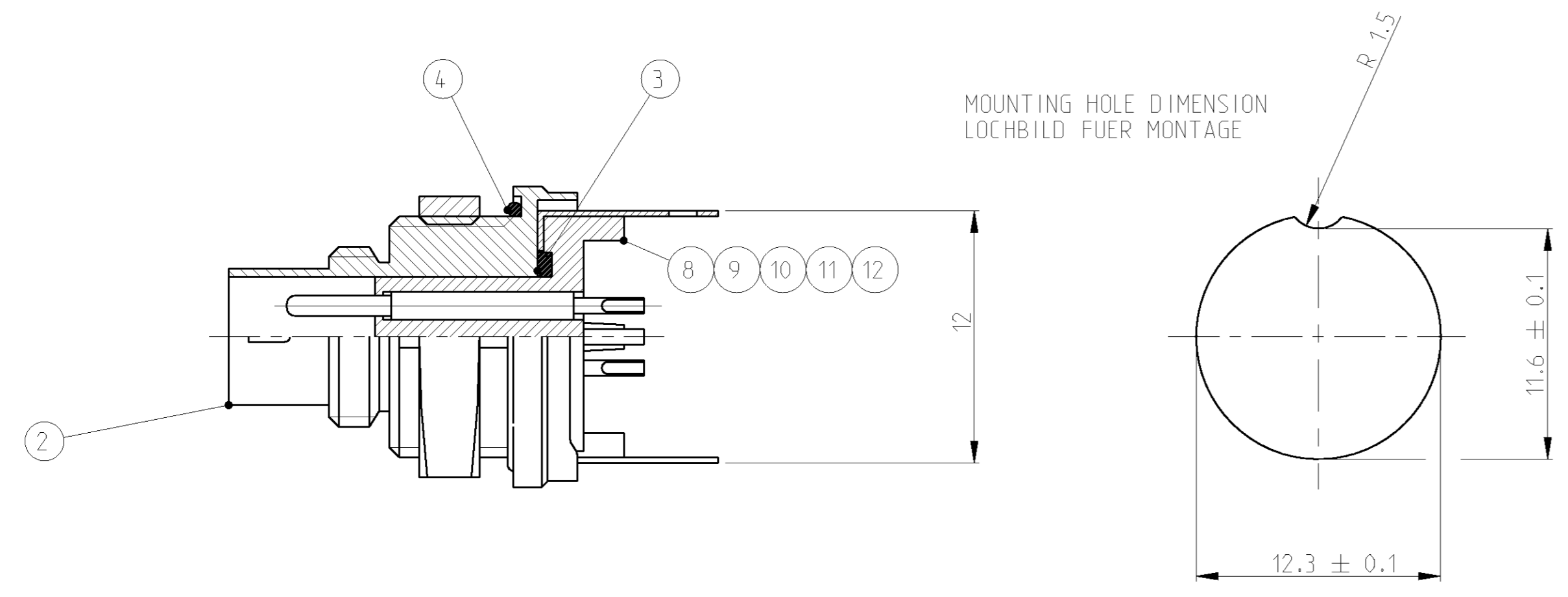
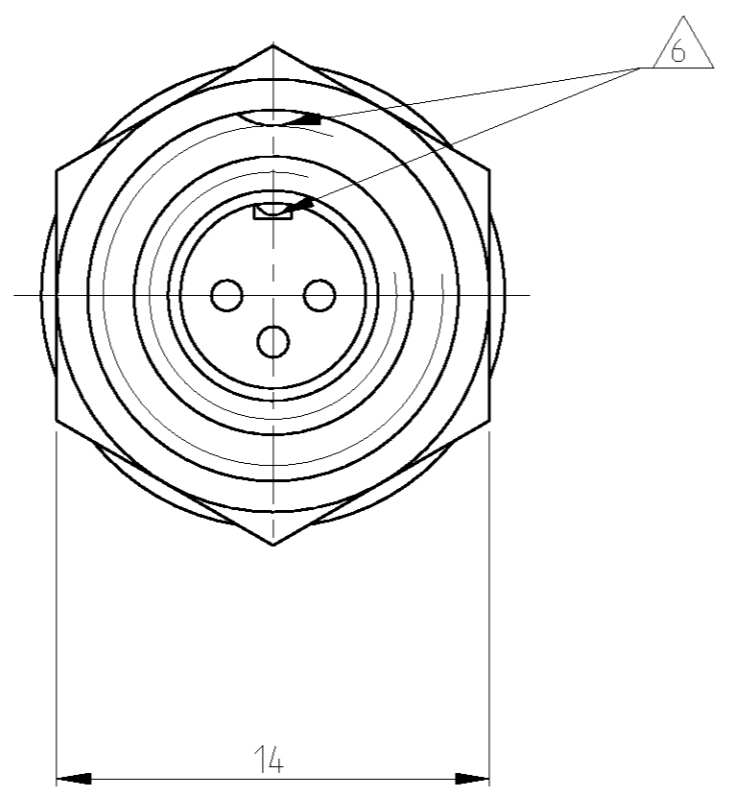
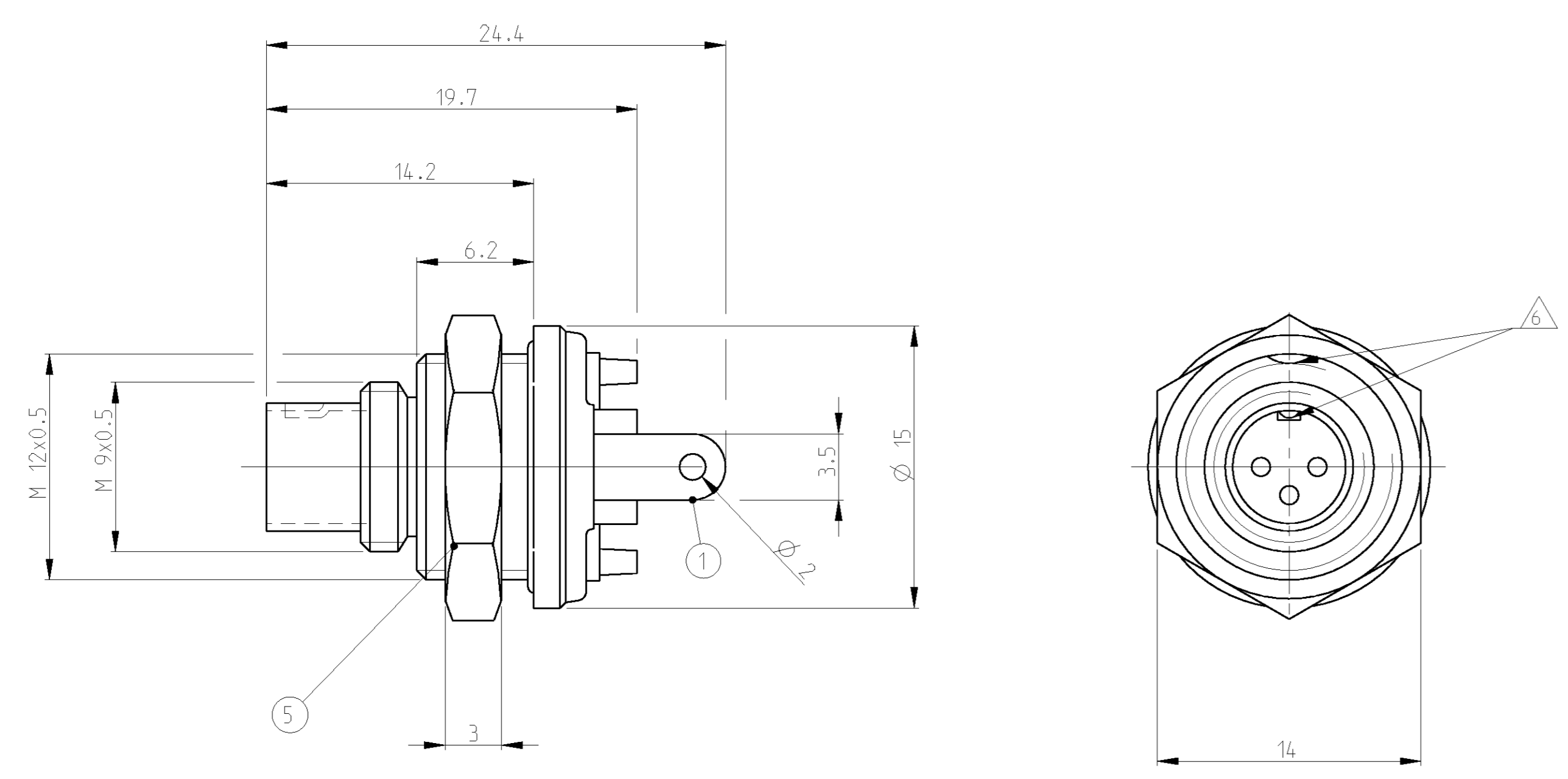


LOC	DIST	REV	DATE	BY	APPD
A1	-	1	19JUN2001	NG	GF
A2	-	2	06DEC2002	NG	GF



MATERIAL / MATERIAL: PBT, UL-94 V2	△
SHELL MATERIAL / GEHAUSEMATERIAL: CUZN	
FINISH / BESCHICHTUNG: TRIBOR 4 μm	
CODING / KODIERUNG	△
WIRE GAGE / DRAHTGROESSE IN mm ² : 0.25	△
WIRE GAGE / DRAHTGROESSE IN mm ² : 0.14	△
CONTACT RESISTANCE / KONTAKTWIDERSTAND: => 5 mΩ	△
RATED CURRENT PER CONTACT / NENNSTROM PRO KONTAKT: 3 A	△
RATED CURRENT PER CONTACT / NENNSTROM PRO KONTAKT: 1 A	△
SHELL PROTECTION CLASS / SCHUTZKLASSE: IP 65 / DIN 40050	
TERMINATION: SOLDERING / VERBINDUNG: LOETKONTAKTE	
TEST VOLTAGE / PRUEFSPANNUNG: 500 VAC	
OPERATING VOLTAGE / BETRIEBSSPANNUNG: 60 VAC	
OPERATING TEMPERATURE: -40°C TO +80°C / ARBEITSTEMPERATUR: -40°C BIS +80°C	
MATING CYCLES / STECKZYKLEN: 500 MAX.	
TECHNICAL DATA TECHNISCHE DATEN	



MOUNTING HOLE DIMENSION
LOCHBILD FUER MONTAGE

TYCO-NO. / TYCO NR.	QTY REQD PER ASSY	DESCRIPTION / BESCHREIBUNG	ITEM-NO. TEIL-NR.
9-1437719-3	1	INSULATION TUBE 8 POS. / ISOLIERHUELSE 8 POL.	12
9-1437719-0	1	INSULATION TUBE 7 POS. / ISOLIERHUELSE 7 POL.	11
8-1437719-7	1	INSULATION TUBE 5 POS. / ISOLIERHUELSE 5 POL.	10
8-1437719-4	1	INSULATION TUBE 4 POS. / ISOLIERHUELSE 4 POL.	9
8-1437719-1	1	INSULATION TUBE 3 POS. / ISOLIERHUELSE 3 POL.	8
8 7		PIN APPLIED BY PRESSURE / STIFTKONTAKT EINGEPRESST	7
5 4 3		PIN APPLIED BY PRESSURE / STIFTKONTAKT EINGEPRESST	6
1 1 1 1 1		NUT / MUTTER	5
1 1 1 1 1		SEAL / DICHTUNG	4
1 1 1 1 1		SEAL / DICHTUNG	3
1 1 1 1 1		HOUSING / GEHAUSE	2
1 1 1 1 1		GROUND ON SOLDER FLAG FAHNE FUER MASSEVERBINDUNG	1
- - - - -		REVISION OF EACH ASSY NO. (WHEN BLANK, USE DWG REV.)	
T01-0580-P08			
T01-0580-P07			
T01-0580-P05			
T01-0580-P04			
T01-0580-P03			

8-1437719-1 AS SHOWN
WIE GEZEICHNET

DIMENSIONS: MASSENMEN (mm)	TOLERANCES, UNLESS OTHERWISE SPECIFIED: ALL DIMENSIONS	DWN: H. SCHERER CDR: H. SCHERER APVD: H. SCHERER	DATE: 19JUN2001 DATE: 19JUN2001 DATE: 19JUN2001	tyco Electronics AMP GmbH D - 64625 Bensheim
MATERIAL: PBT	FINISH: TRIBOR	WEIGHT: - BEWICHT: -	SIZE: A1 CAGE CODE: 00779 DRAWING NO.: 8-1437719-1	NAME: T01 MALE PLUG CONN. PANEL MNT. SOLDER VER. 3-8 POS. 180 DGR. T01 STIFTSTECKER-EINBAU-LOETVERS. 3-8 POL. 180 GRAD
CUSTOMER DRAWING			SCALE: - SHEET: 1 OF 1	RESTRICTED TO: NUR FUER: - REV: A2

X-ON Electronics

Largest Supplier of Electrical and Electronic Components

Click to view similar products for [Standard Circular Connector](#) category:

Click to view products by [TE Connectivity](#) manufacturer:

Other Similar products are found below :

[C015](#) [10F006](#) [001](#) [1](#) [5M2530B10P](#) [600247N007](#) [600259N006](#) [600273N007](#) [600432N009](#) [6280-2PG-519](#) [6280-3PG-311](#) [6280-3SG-311](#)
[6280-7SG-3DC](#) [6280-7SG-522](#) [6282-5PG-311](#) [6282-6PG-519](#) [6282-8SG-311](#) [6283-11](#) [6283-15](#) [6290](#) [6293](#) [6382-2PG-311](#) [6382-2PG-3DC](#)
[6382-2SG-321](#) [6382-2SG-3DC](#) [6382-4SG-516](#) [67-03E20-37P](#) [681-PMG](#) [CXS3102A14S2P](#) [CXS3102A181S](#) [CXS3106A14S6S](#) [MB12P-1](#)
[MB12R-6](#) [7251-2PG-300](#) [7251-2SG-300](#) [7251-4PG-300](#) [7251-4SG-300](#) [7251-5PG-300](#) [7251-5SG-300](#) [7251-6SG-300](#) [7251-7PG-300](#) [7251-](#)
[8PG-300](#) [7271-6SG-300](#) [7282-3PG-300-CH3](#) [73000005663](#) [75-190011-03P](#) [75-190216-08S](#) [75-190218-10P](#) [75-214636-52P](#) [75-474118-10P](#)
[75-474211-03P](#) [75-474218-19S](#) [75-474618-01S](#)