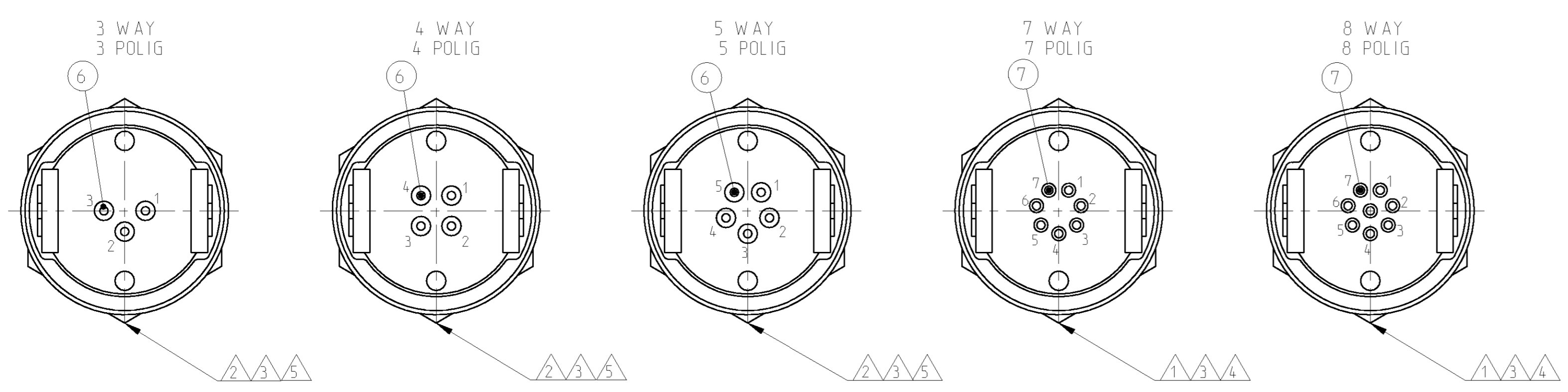
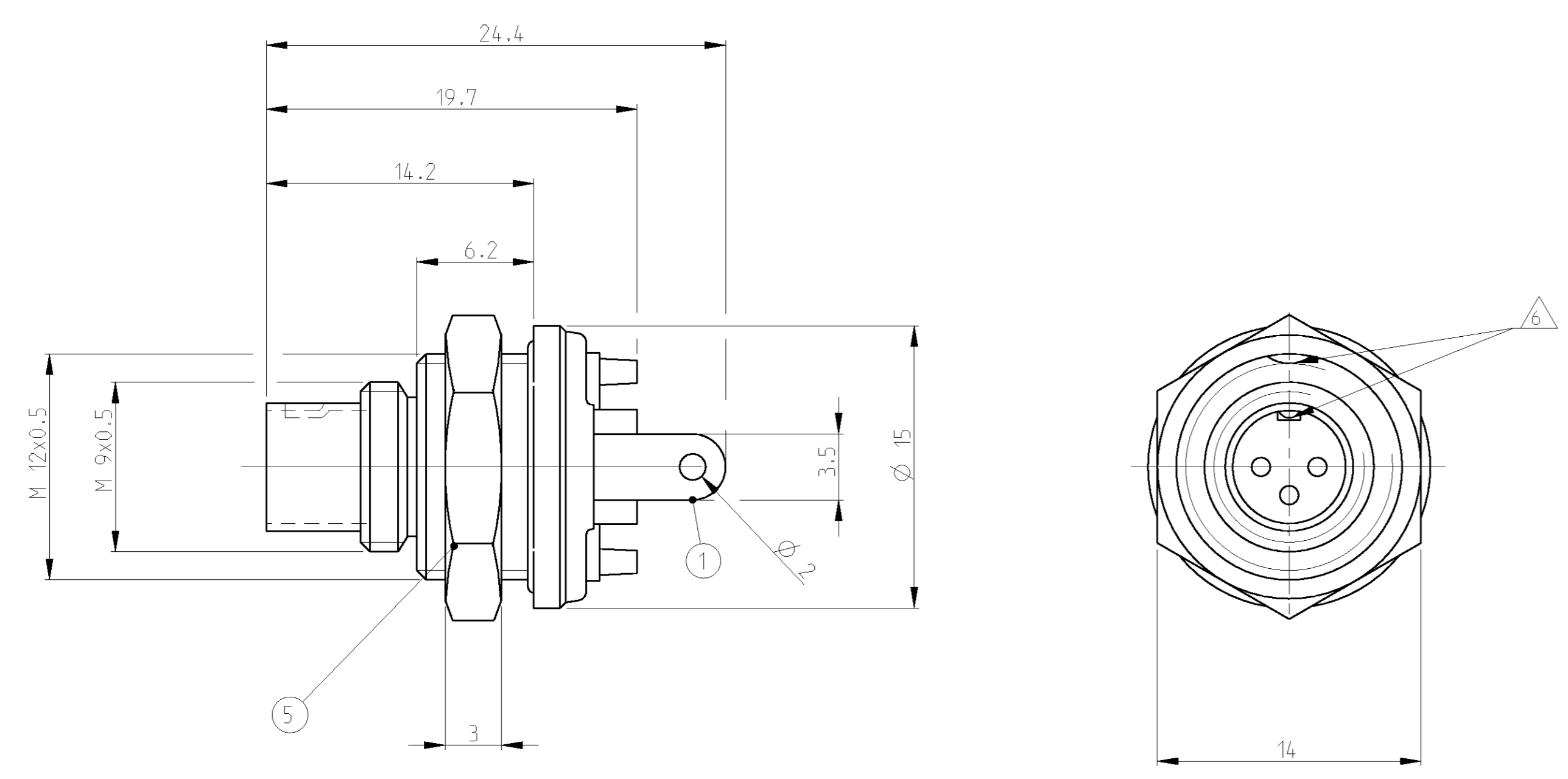


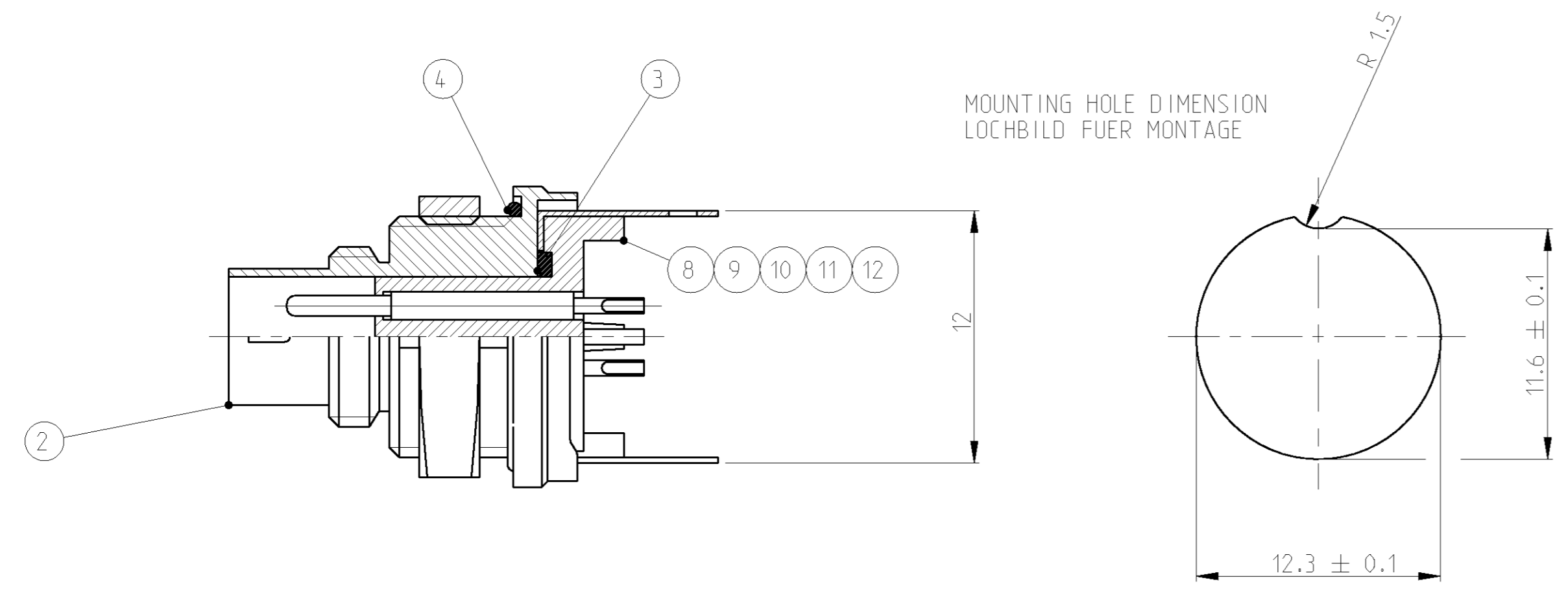
REV. NO.	DATE	DESCRIPTION	BY	CHKD	APPD
A1	19 JUN 2001	EG00-0803-01	NG	GF	
A2	06 DEC 2002	DRAWING ADJUSTED	NG	GF	



MATERIAL / MATERIAL: PBT, UL-94 V2	△
SHELL MATERIAL / GEHAUSEMATERIAL: CUZN	
FINISH / BESCHICHTUNG: TRIBOR 4 μm	
CODING / KODIERUNG	△
WIRE GAGE / DRAHTGROESSE IN mm <sup>2</sup> : 0.25	△
WIRE GAGE / DRAHTGROESSE IN mm <sup>2</sup> : 0.14	△
CONTACT RESISTANCE / KONTAKTWIDERSTAND: => 5 mΩ	△
RATED CURRENT PER CONTACT / NENNSTROM PRO KONTAKT: 3 A	△
RATED CURRENT PER CONTACT / NENNSTROM PRO KONTAKT: 1 A	△
SHELL PROTECTION CLASS / SCHUTZKLASSE: IP 65 / DIN 40050	
TERMINATION: SOLDERING / VERBINDUNG: LOETKONTAKTE	
TEST VOLTAGE / PRUEFSPANNUNG: 500 VAC	
OPERATING VOLTAGE / BETRIEBSSPANNUNG: 60 VAC	
OPERATING TEMPERATURE: -40°C TO +80°C / ARBEITSTEMPERATUR: -40°C BIS +80°C	
MATING CYCLES / STECKZYKLEN: 500 MAX.	
TECHNICAL DATA TECHNISCHE DATEN	



TYCO-NO. / TYCO NR.	QTY REQD PER ASSY	DESCRIPTION / BESCHREIBUNG	ITEM-NO. TEIL-NR.
9-1437719-3	1	INSULATION TUBE 8 POS. / ISOLIERHUELSE 8 POL.	12
9-1437719-0	1	INSULATION TUBE 7 POS. / ISOLIERHUELSE 7 POL.	11
8-1437719-7	1	INSULATION TUBE 5 POS. / ISOLIERHUELSE 5 POL.	10
8-1437719-4	1	INSULATION TUBE 4 POS. / ISOLIERHUELSE 4 POL.	9
8-1437719-1	1	INSULATION TUBE 3 POS. / ISOLIERHUELSE 3 POL.	8
8 7		PIN APPLIED BY PRESSURE / STIFTKONTAKT EINGEPRESST	7
5 4 3		PIN APPLIED BY PRESSURE / STIFTKONTAKT EINGEPRESST	6
1 1 1 1 1		NUT / MUTTER	5
1 1 1 1 1		SEAL / DICHTUNG	4
1 1 1 1 1		SEAL / DICHTUNG	3
1 1 1 1 1		HOUSING / GEHAUSE	2
1 1 1 1 1		GROUND ON SOLDER FLAG FAHNE FUER MASSEVERBINDUNG	1
- - - - -		REVISION OF EACH ASSY NO. (WHEN BLANK, USE DWG REV.)	
T01-0580-P08			
T01-0580-P07			
T01-0580-P05			
T01-0580-P04			
T01-0580-P03			
CATALOG-NO.			



8-1437719-1 AS SHOWN  
WIE GEZEICHNET

TYCO ELECTRONICS CORPORATION 11115 SANDHURST RD. CHAMBERSBURG, PA 15622 TEL: 717-241-1000 FAX: 717-241-1001 WWW.TYCOELECTRONICS.COM	DATE: 19 JUN 2001 BY: H. SCHERER APPD: G. FELDMAYER	TYCO ELECTRONICS AMP GmbH D-64625 Bensheim
PRODUCT SPEC: T01 MALE PLUG CONN. PANEL MNT. SOLDER VER. 3-8 POS. 180 DEG. PRODUCT SPEZ.: T01 STIFTSTECKER-EINBAU-LOETVERS. 3-8 POL. 180 GRAD	SCALE: 1:1 SHEET: 1 OF 1	RESTRICTED TO MR. FUER

## X-ON Electronics

Largest Supplier of Electrical and Electronic Components

*Click to view similar products for [Standard Circular Connector](#) category:*

*Click to view products by [TE Connectivity](#) manufacturer:*

Other Similar products are found below :

[5M2530B10P](#) [600259N006](#) [600273N007](#) [6134-336-13149](#) [6134-337-11149](#) [6134-337-2390](#) [6134-341-17149](#) [6280-4SG-516](#) [6280-7SG-3DC](#)  
[6290](#) [6291A](#) [66200A-10](#) [680-SMG](#) [681-PMG](#) [CXS3102A14S2P](#) [CXS3102A181S](#) [7271-6SG-300](#) [7282-3PG-300-CH3](#) [75-474014-05S](#) [75-](#)  
[474618-01S](#) [75-474618-04P](#) [75-474618-04S](#) [799539-000](#) [MI8-SE](#) [805-005-07NF11-19PC](#) [805-005-07NF15-7PA](#) [8280-4PG-516](#) [8280-7PG-](#)  
[519](#) [8282-5PG-519](#) [836783-1](#) [MP-4102-25P-C](#) [862256-1](#) [864019-2](#) [866857-1](#) [867865-1](#) [PT01SP-14-18P](#) [PT08P-14-5S](#) [120-1833-000](#)  
[QCM019PC2DC012B](#) [1-2069279-1](#) [121583-0217](#) [121667-0020](#) [129591AU](#) [1000B BULK](#) [RD10A16-19-P6CS051/1](#) [RD10A20-31-](#)  
[P8CS051/1](#) [RD16A14-12-S6CS051/2](#) [1301240290](#) [1301240347](#) [1301860202](#) [1301240268](#)