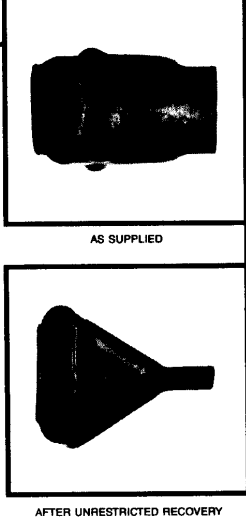
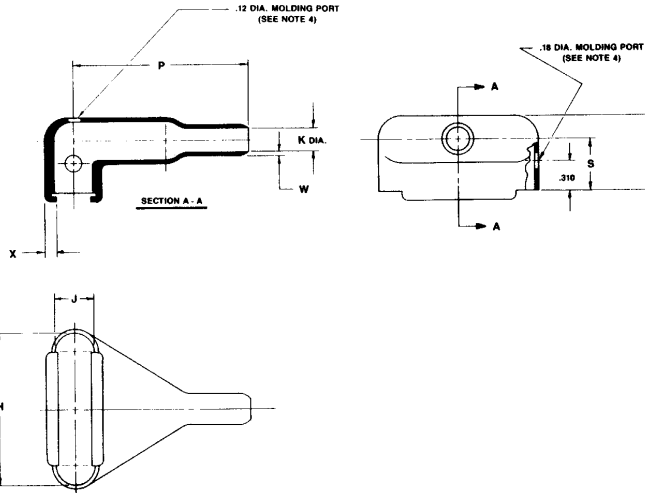


**THERMOFIT • SPECIFICATION CONTROL DRAWING • MOLDED PARTS**

**NOTES**

- All dimensions are in inches.
- Dimensions appearing in table are as follows:  
a - AS SUPPLIED    b - AFTER UNRESTRICTED RECOVERY
- The following coatings are optional:  
S-1017 (/42) adhesive and  
S-1048 (/86) adhesive  
for -3 or -4 material only  
Dimensions appearing in table are for uncoated parts. When coating is added entry diameters will be reduced .06 max.
- Molding ports are optional. When -00 modification number is specified they will be located as shown.
- Weight shown in table of dimensions is based on polyolefin part.



**ORDERING INFORMATION**

Matl. No.	Description	Raychem RT Spec
-3	Polyolefin, Semi-Rigid	RT-301
-4	Polyolefin, Flexible	RT-1304
-8	Polyolefin, Space	RT-1308
-25	Elastomer, Semi-Rigid	RT-1325

Add material dash number as suffix to part number;  
Example 1 - Order 234A711-3 when polyolefin, semi-rigid is required.

Add coating slash number as suffix to material dash number when coating is required.  
Example 2 - Order 234A752-X/42 when S-1017 adhesive is required.

Example 3 - Order 234A732-3-00 when molding ports are required.

**TABLE OF DIMENSIONS**

PART NUMBER	H		J		K		P	R	S	W	X	Weight lbs ±10%	This Boot Fits Cannon
	Min a	±5% b	Min a	±5% b	Min a	Max b	±10% b	±10% b	±10% b	±20% b	±20% b		
234A711	.63	.80	.63	.42	.63	.16	1.10	.73	.50	.04	.12	.0059	DE-9
234A721	.75	1.11	.75	.42	.75	.21	1.38	.74	.50	.04	.12	.0086	DA-15
234A732	1.15	1.66	1.15	.42	1.15	.25	1.87	.79	.56	.04	.12	.0143	DB-25
234A742	1.35	2.31	1.35	.42	1.35	.31	2.35	.79	.56	.04	.12	.0220	DC-37
234A752	1.48	2.28	1.48	.54	1.48	.36	2.49	1.04	.69	.04	.12	.0260	DD-50

<b>Raychem</b> Raychem Corporation 300 Constitution Drive Menlo Park, CA 94025-1164 415) 361 6055	E.O.	REV	DATE	DESCRIPTION	DRN	JC	PART DESCRIPTION BOOT, RECTANGULAR, SUBMINIATURE, 90°, SIDE ENTRY, OVEREXPANDED	PART NO. <b>234A711 thru 752</b>	REV LTR <b>F</b>
					CHK'D	JSC			
					AUTH	RKG			
					AUTH	DDR			
								DATE:	September 3, 1987

## X-ON Electronics

Largest Supplier of Electrical and Electronic Components

*Click to view similar products for [TE Connectivity](#) manufacturer:*

Other Similar products are found below :

[D38999/24FJ4AN](#) [570416-000](#) [CLTEQ-M81CE-SSRELAY-4-20V](#) [4-1195131-0](#) [650069-000](#) [SMD100-2](#) [358838-000](#) [CB-1022B-78](#)  
[RM707012](#) [RP410012](#) [MMS42](#) [1-640426-8](#) [2EDL4CM](#) [DTS20W19-11PD-3028-LC](#) [RM202615](#) [NC6-P104-06](#) [MSPS103B](#) [DTS26F21-41HE-LC](#) [DTS26F21-41AE](#) [DTS26F21-41PE-LC](#) [DTS26F21-11SE-3028-LC](#) [30DCB6](#) [1932144-1](#) [293545-4](#) [LVR125S](#) [MS27466T25F4PB](#)  
[CKB-38-78010](#) [TR04AI-TINELLOCKRING](#) [1206SFF150F/63-2](#) [D38999/20JB35HA](#) [TE1500A2R2J](#) [D38999/20WC8BB](#) [DTS24F19-11SC-3028-LC](#) [D38999/24WG11HA](#) [D38999/24WG11HN](#) [MS27467T21F11H](#) [DJT16E21-11HA](#) [MS27467T21F35J](#) [MS27467T21F11J](#)  
[MS27467T21F16H-LC](#) [MS27467T21F35H](#) [MS27467T21F41H-LC](#) [1206SFH150F/24-2](#) [RP330024](#) [DJT16E21-11PA-LC](#) [DJT16E21-11HA-LC](#) [DJT16E21-11AA](#) [MS27467T21B11JA](#) [DJT16E21-11JA](#) [MS27467T21B11JA-LC](#)