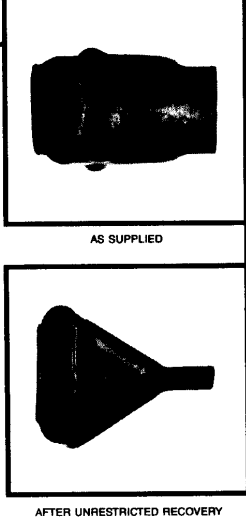
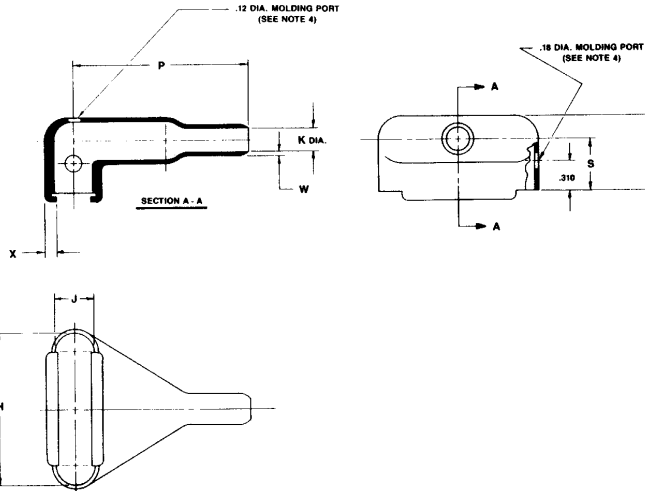


THERMOFIT • SPECIFICATION CONTROL DRAWING • MOLDED PARTS

NOTES

- All dimensions are in inches.
- Dimensions appearing in table are as follows:
a - AS SUPPLIED b - AFTER UNRESTRICTED RECOVERY
- The following coatings are optional:
S-1017 (/42) adhesive and
S-1048 (/86) adhesive
for -3 or -4 material only
Dimensions appearing in table are for uncoated parts. When coating is added entry diameters will be reduced .06 max.
- Molding ports are optional. When -00 modification number is specified they will be located as shown.
- Weight shown in table of dimensions is based on polyolefin part.



ORDERING INFORMATION

Matl. No.	Description	Raychem RT Spec
-3	Polyolefin, Semi-Rigid	RT-301
-4	Polyolefin, Flexible	RT-1304
-8	Polyolefin, Space	RT-1308
-25	Elastomer, Semi-Rigid	RT-1325

Add material dash number as suffix to part number;
Example 1 - Order 234A711-3 when polyolefin, semi-rigid is required.

Add coating slash number as suffix to material dash number when coating is required.
Example 2 - Order 234A752-X/42 when S-1017 adhesive is required.

Example 3 - Order 234A732-3-00 when molding ports are required.

TABLE OF DIMENSIONS

PART NUMBER	H		J		K		P	R	S	W	X	Weight lbs ±10%	This Boot Fits Cannon
	Min a	±5% b	Min a	±5% b	Min a	Max b	±10% b	±10% b	±10% b	±20% b	±20% b		
234A711	.63	.80	.63	.42	.63	.16	1.10	.73	.50	.04	.12	.0059	DE-9
234A721	.75	1.11	.75	.42	.75	.21	1.38	.74	.50	.04	.12	.0086	DA-15
234A732	1.15	1.66	1.15	.42	1.15	.25	1.87	.79	.56	.04	.12	.0143	DB-25
234A742	1.35	2.31	1.35	.42	1.35	.31	2.35	.79	.56	.04	.12	.0220	DC-37
234A752	1.48	2.28	1.48	.54	1.48	.36	2.49	1.04	.69	.04	.12	.0260	DD-50

Raychem Raychem Corporation 300 Constitution Drive Menlo Park, CA 94025-1164 415) 361 6055	E.O.	REV	DATE	DESCRIPTION	DRN	JC	PART DESCRIPTION BOOT, RECTANGULAR, SUBMINIATURE, 90°, SIDE ENTRY, OVEREXPANDED	PART NO. 234A711 thru 752	REV LTR F
					CHK'D	JSC			
					AUTH	RKG			
					AUTH	DDR			
								DATE:	September 3, 1987

X-ON Electronics

Largest Supplier of Electrical and Electronic Components

Click to view similar products for [Heat Shrink Cable Boots & End Caps](#) category:

Click to view products by [TE Connectivity](#) manufacturer:

Other Similar products are found below :

[577159N001](#) [007758-000](#) [610368N003](#) [645494-000](#) [M85049/141-02HU](#) [M85049/141-03HU](#) [M85049/141-04HU](#) [687025-000](#) [705331-000](#)
[718446-000](#) [725666N001](#) [729257-000](#) [F21914-000](#) [F27131-000](#) [F85868-000](#) [770-006A103R](#) [770-006A304W1](#) [770-006A305W1](#) [770-](#)
[006A308W1](#) [770-011T303W1](#) [770-011T304W1](#) [770-020S702W1](#) [770-020S704W1](#) [806138-000](#) [806542N001](#) [807507-000](#) [808059-000](#)
[808296-000](#) [808362-000](#) [808828-000](#) [809125-000](#) [809130-000](#) [809218-000](#) [811218-000](#) [811288-000](#) [812014-000](#) [812047-000](#) [813166-000](#)
[813767N002](#) [814417-000](#) [819115N001](#) [819117N001](#) [823026-000](#) [823070-000](#) [825002-000](#) [841189N001](#) [861471-000](#) [866647-000](#) [937577-](#)
[000](#) [950764-000](#)