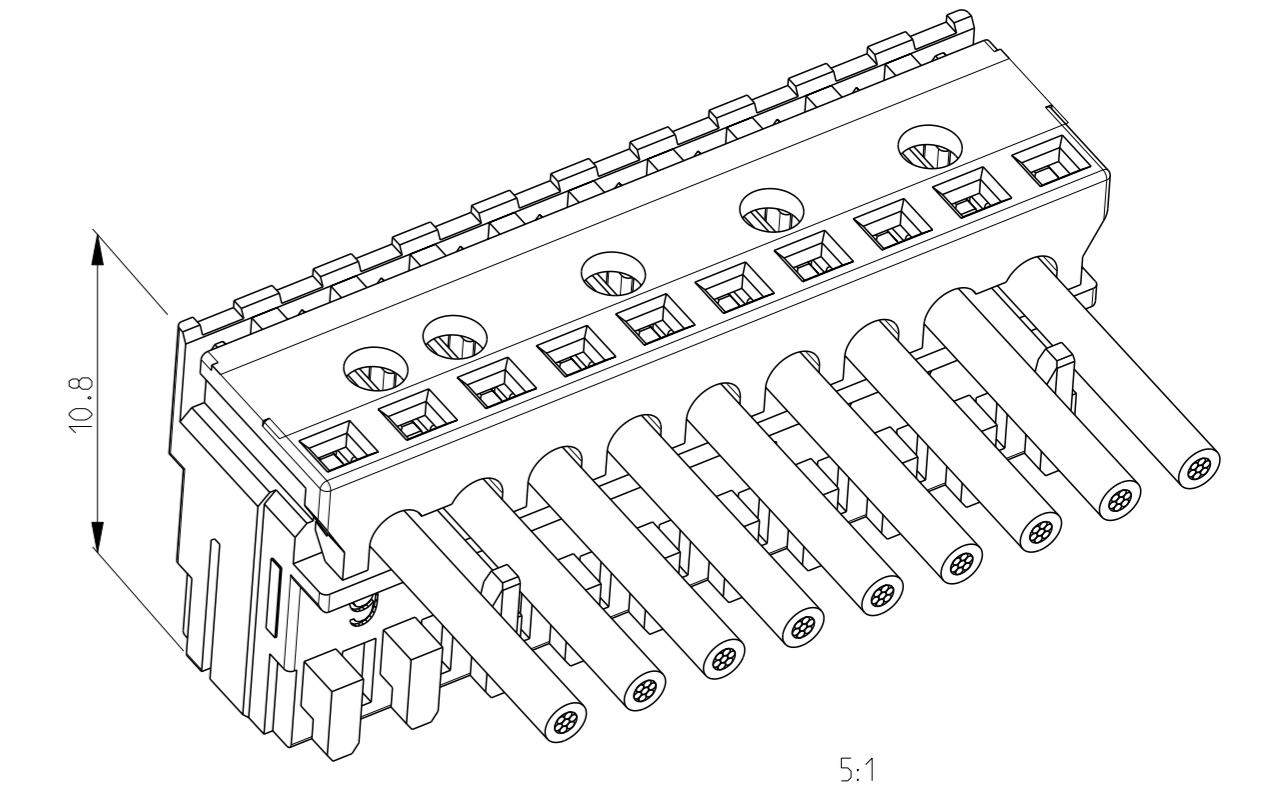
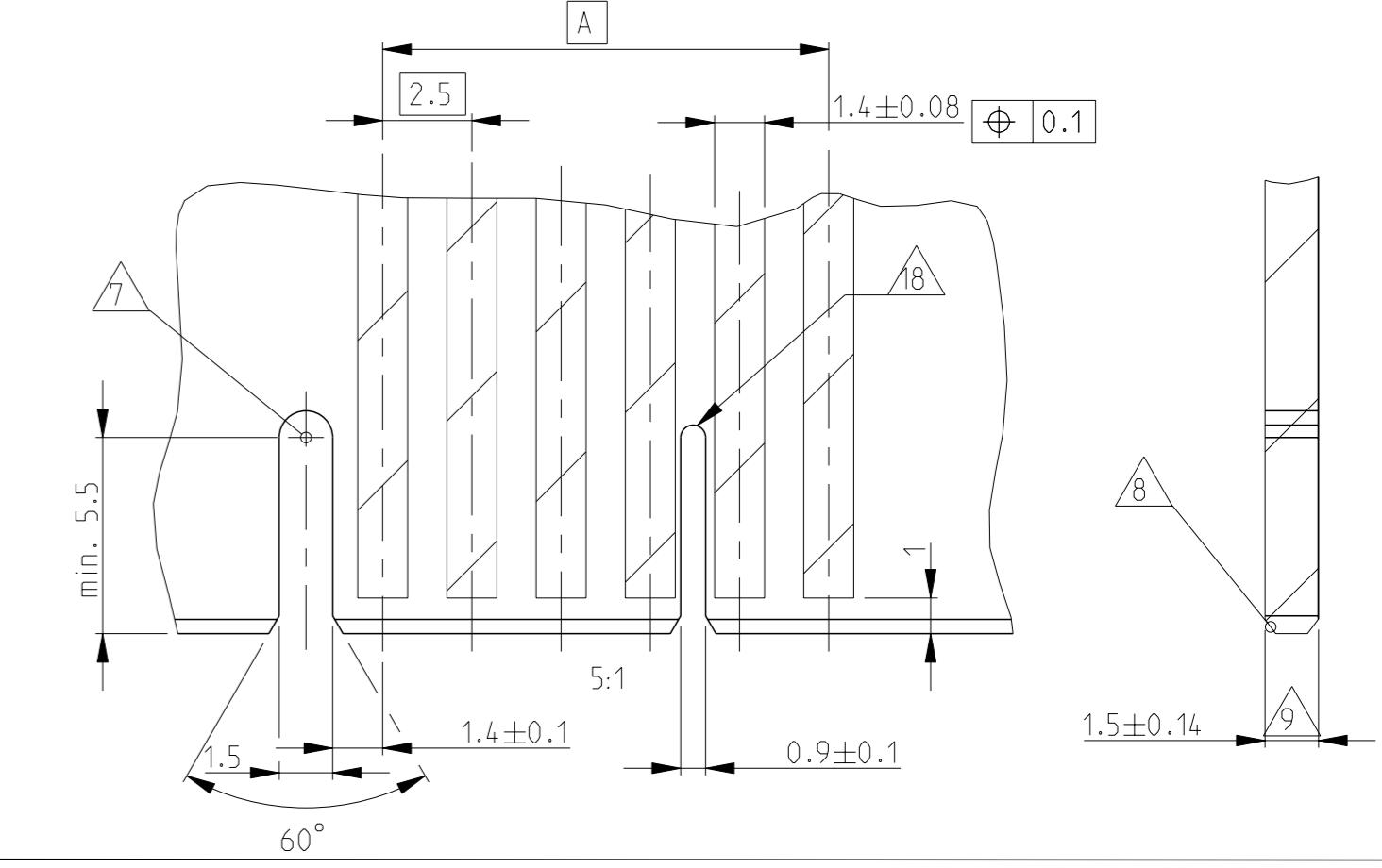


- △27 DIMENSION AVAILABLE FOR PART X-2304525-X, X-2304526-X.
- △26 WITH SPECIAL CHAIN FEATURE
- △25 SIDE KEYING ON LAST CAVITY THICKNESS=1.5mm
- △24 SIDE KEYING ON CAVITY 1 THICKNESS=1.5mm
- △19 COLOR STRIP ON COVER OF HOUSING, NOT THE COLOR OF HOUSING.
- △18 SLOT, THICK, BETWEEN CAVITIES
- △17 KEYING, THICK, BETWEEN POSITION
- △16 SLOT, SLIM, FOR SIDE KEYING, LAST CAVITY
- △15 SLOT, SLIM, FOR SIDE KEYING, SIDE CAVITY 1
- △14 SIDE KEYING, SLIM, ON LAST CAVITY
- △13 SIDE KEYING, SLIM, ON CAVITY 1
- △12 KEYING SLIM BETWEEN POSITIONS
- △11 PRELIMINARY PART NOT RELEASED FOR PRODUCTION
- △10 TE LOGO
- △9 INCLUSIVE COPPER LOADING
- △8 PCB PREFERABLY CHAMFERED
- △7 SLOT, THICK, FOR SIDE KEYING
- △6 SIDE KEYING, THICK, ON LAST CAVITY
- 5 WIRE RANG: 0.22-0.35mm<sup>2</sup> SEE APPLICATION SPEC. 114-18467
- △4 IEC60695-2-11 / IEC60335-1 GLOW WIRE TEST 750 °C WITHOUT FLAME
- △3 X..CAVITY LOADED WITH CONTACT  
O..CAVITY WITHOUT CONTACT
- 2 MATING PART: PCB (WITH FRAMES ACC. RAST 2.5 E.G. PN 964 575/576  
TAB HEADER (FOR EXAMPLE: X-1971921/922-Y)
- △1 KEYING RIBS; CUTTING WITH TERMINATION MACHINE POSSIBLE

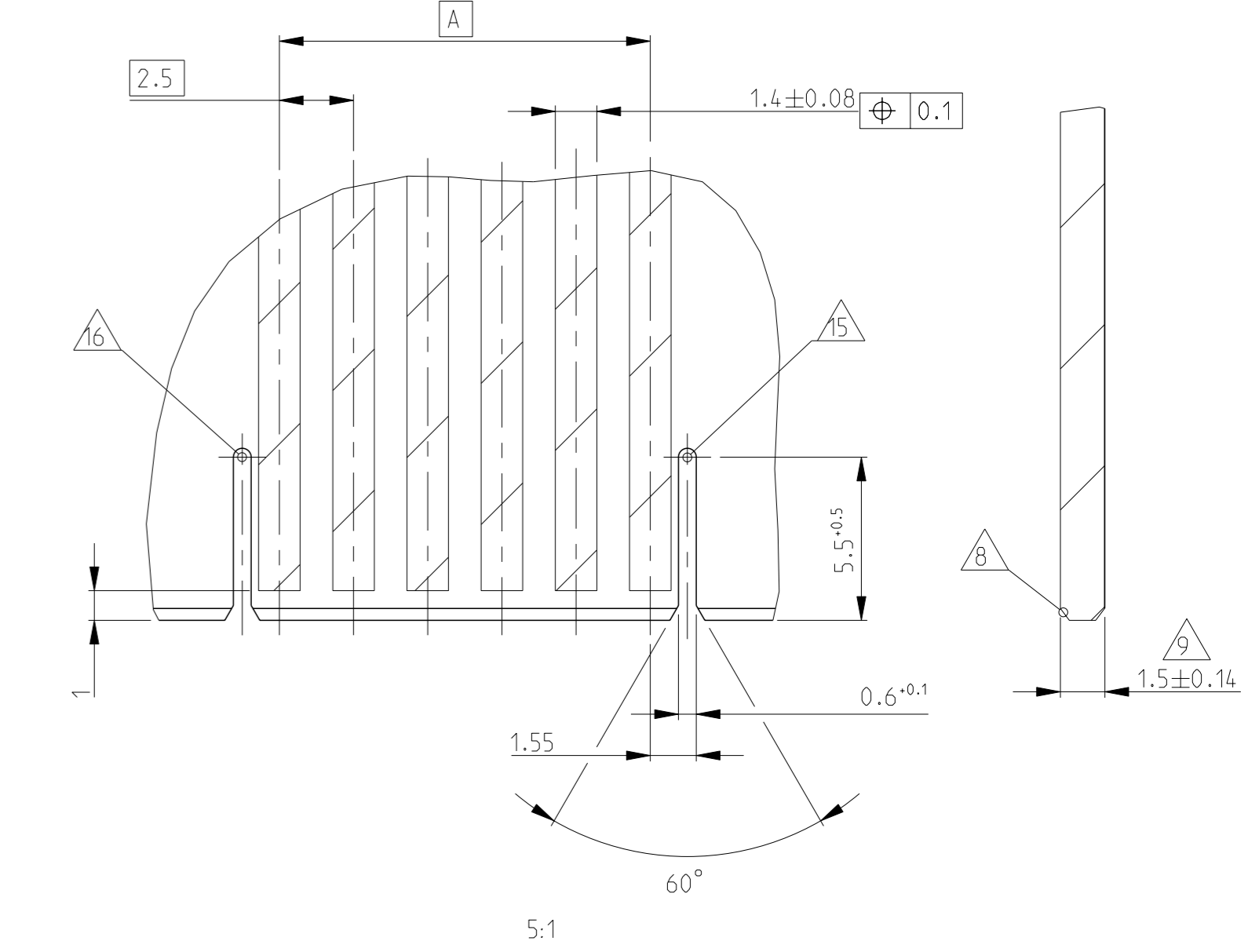
LOC	DIST	REVISIONS				
A1	-	REV	DESCRIPTION	DATE	OWN	APVD
		D51	ECR-20-100617	05NOV2020	W W	FL
		D52	ECR-20-101062	17DEC2020	P J	FL
		D53	ECR-21-100373	01FEB2021	S M	FL



PCB LAYOUT KEYED / CONNECTED ONLY WITH ADDITIONAL FRAME (THICK KEYING)  
Leiterplattenanschluss kodiert / nur in Verbindung mit zusätzlichem Rahmen



PCB LAYOUT KEYED / CONNECTED ONLY WITH ADDITIONAL FRAME (SLIM KEYING)  
Leiterplattenanschluss kodiert / nur in Verbindung mit zusätzlichem Rahmen



OTHER NOTE SEE SHEET 3 OF 3.

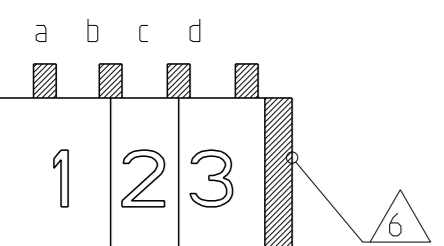
THIS DRAWING IS A CONTROLLED DOCUMENT.		OWN: H. Karabiyik 24MAY2002	 TE Connectivity
DIMENSIONS: mm		CHK: B. Schnaubelt 24MAY2002	
TOLERANCES UNLESS OTHERWISE SPECIFIED:		APVD: T. Klenner 24MAY2002	NAME: AMP DUOPLUG 2.5 MARK II FEMALE CONNECTOR 3-20 POSITION SELECTIVE LOADED
0 PLC ±0.2	1 PLC ±0.2	PRODUCT SPEC	SIZE: 114-18467
2 PLC ±0.2	3 PLC ±0.2	APPLICATION SPEC	SCALE: 10:1
4 PLC ±	ANGLES ±	FINISH ±	SHEET 1 OF 3
MATERIAL: -	FINISH: -	WEIGHT: -	REV: D53
Customer Drawing		00779	©=1534798

LOC	DIST	P	LYR	REVISIONS	DATE	DWN	APVD
AI	-	-	-	SEE SHEET 1			

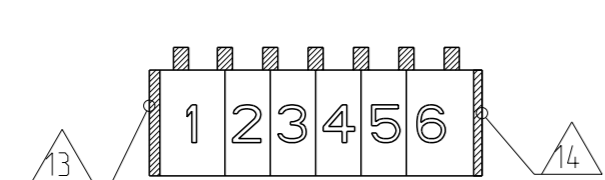
### KEYING PLAN

Kodierschema

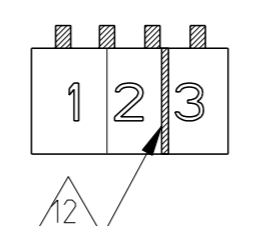
4-1534798-3



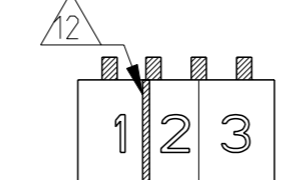
2-1534798-6



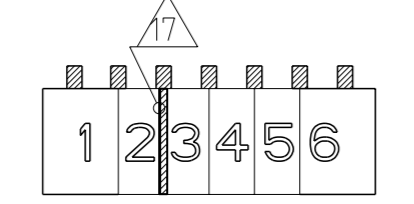
2-1534798-3



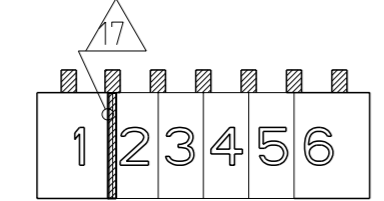
9-1534798-3



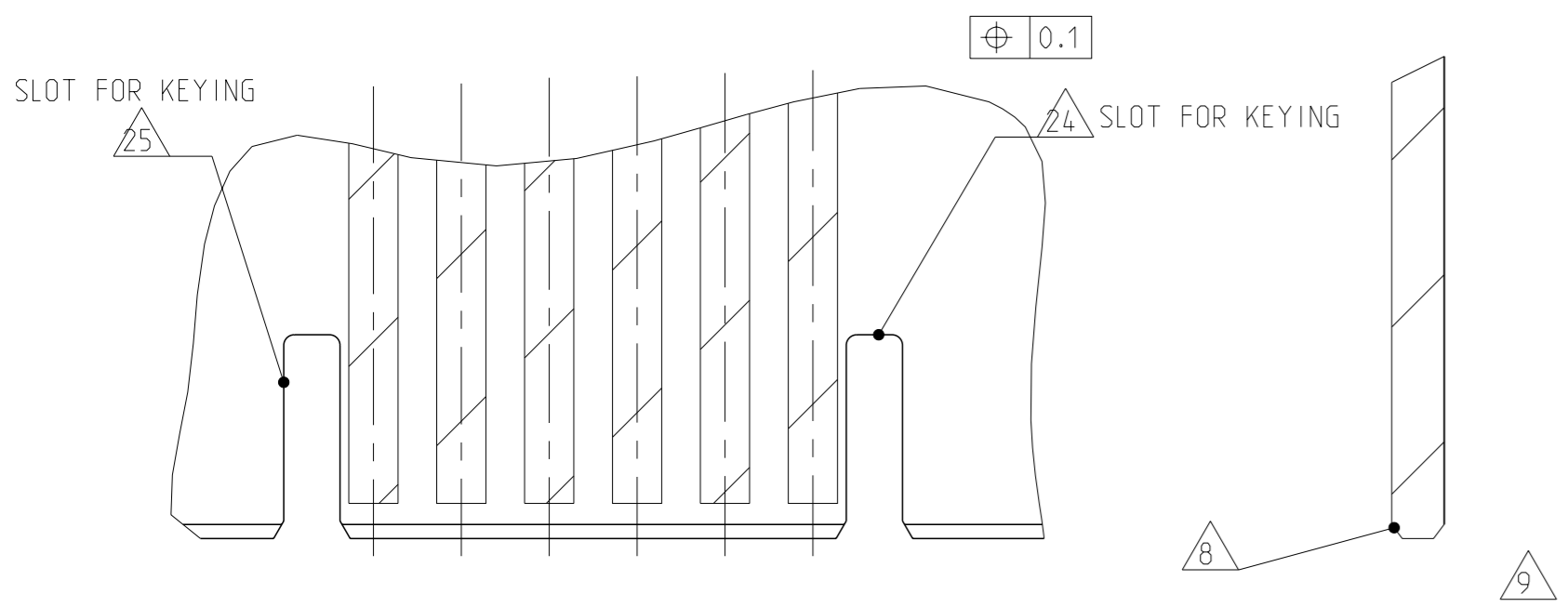
9-1534798-6



1-1534798-6



### PCB LAYOUT KEYED / CONNECTED ONLY WITH ADDITIONAL FRAME (KEYING THICKNESS-1.5mm)



5:1

GWEPT 750°C NO FLAME & UL94-V2, TIN PLATED VERSION																								
															19	45	49.9				1-1534799-9			
															17	40	44.9	8/9				1534799-7		
															15	35	39.9				1-1534799-5			
																					4-1534799-3			
																					3-1534799-3			
															13	30	34.9							
																					1-1534799-2			
																					2-1534799-2			
															12	27.5	32.4	8/9						
Black																						5-1534799-1		
																						5-1534799-1		
																						3-1534799-1		
																						2-1534799-1		
																						5-1534798-0		
																						4-1534798-0		
																						3-1534798-0		
																						2-1534798-0		
																						7-1534798-9		
																						6-1534798-9		
																						5-1534798-9		
																						4-1534798-9		
																						3-1534798-9		
																						9-1534798-8		
																						8-1534798-8		
																						7-1534798-8		
																						6-1534798-8		
																						5-1534798-8		
																						4-1534798-8		
																						3-1534798-8		
Black																						6-1534798-7		
																						5-1534798-7		
																						4-1534798-7		
																						3-1534798-7		
Black																						2-1534798-6		
Red																						1-1534798-6		
																						9-1534798-6		
																						8-1534798-6		
																						7-1534798-6		
																						6-1534798-6		
																						5-1534798-6		
																						4-1534798-6		
																						3-1534798-6		
Brown																						9-1534798-5		
Black																						8-1534798-5		
																						7-1534798-5		
																						6-1534798-5		
																						5-1534798-5		
																						4-1534798-5		
																						3-1534798-5		
																						2-1534798-5		
																						1-1534798-5		
																						9-1534798-4		
Orange																						2-1534798-3		
																						1-1534798-3		
																						9-1534798-3		
																						2-1534798-3		
Brown																						8-1534798-3		
Green																						7-1534798-3		
Blue																						6-1534798-3		
																						5-1534798-3		
																						4-1534798-3		
																						3-1534798-3		

OBSOLETE

OBSOLETE

OBSOLETE

2	SEE TABLE	CONTACT/Kontakt	CuSn	TINNED/verzinkt
1	siehe Tabelle	HOUSING/Federleistengeh.	HIGH TEMP PLASTIC	NATUR/Natur
POS.	PN Bestell-Nr.	DESCRIPTION Beschreibung	MATERIAL	COLOR/FINISH Farbe/Oberflaeche

THIS DRAWING IS A CONTROLLED DOCUMENT.  
 DIMENSIONS: mm  
 TOLERANCES UNLESS OTHERWISE SPECIFIED:  
 0 PLC ±0.2  
 1 PLC ±0.2  
 2 PLC ±0.2  
 3 PLC ±  
 4 PLC ±  
 ANGLES FINISH

Customer Drawing  
 SCA 10:1 SHEET 2 OF 3 REV 53  
  
**MTE** TE Connectivity  
 AMP DUOPLUG 2.5 MARK II FEMALE CONNECTOR 3-20 POSITION SELECTIVE LOADED



## X-ON Electronics

Largest Supplier of Electrical and Electronic Components

*Click to view similar products for [Headers & Wire Housings](#) category:*

*Click to view products by [TE Connectivity](#) manufacturer:*

Other Similar products are found below :

[892-18-020-10-001101](#) [58102-G61-06LF](#) [582553-1](#) [0009485154](#) [009176003701906](#) [0050291907](#) [LY20-4P-DT1-P1E-BR](#) [02.125.8002.8](#)  
[609-3404](#) [61062-3](#) [61082-181009](#) [622-3653LF](#) [63453-116](#) [636-1030](#) [636-1427](#) [636-3427](#) [636-4007](#) [641938-9](#) [641991-4](#) [644827-2](#) [65817-](#)  
[010LF](#) [65817-015LF](#) [65863-015LF](#) [66207-023LF](#) [67095-007LF](#) [67601157](#) [68645-018](#) [68648-049](#) [70.362.1628.0](#) [70-4210](#) [70-4226B](#) [70-](#)  
[4853B](#) [707-5020](#) [707-5028](#) [71.350.2428.0](#) [71918-208LF](#) [71961-016LF](#) [733-134](#) [733-162](#) [754199-000](#) [760-3052](#) [787-8014-00](#) [79531-3000](#)  
[FCN-360C032-B](#) [FCN-367T-T012/H](#) [FCN-723D010/2](#) [80.063.4001.1](#) [800-90-001-10-001000](#) [800-90-010-10-002000](#) [801-43-002-10-013000](#)