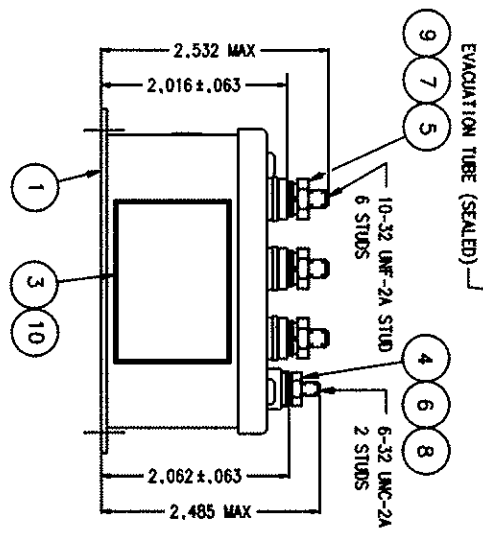
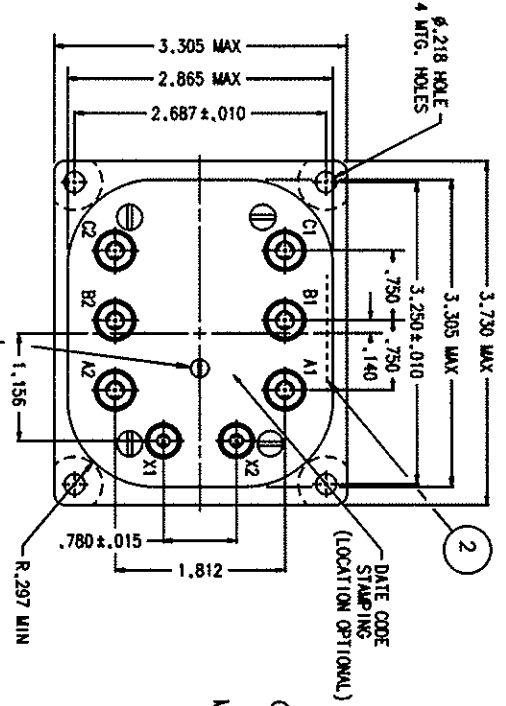


REV.	DESCRIPTION	DATE	APPROVED
A	ADDED 400 HZ RATINGS; ADDED RECTIFIER	02-10-28	
B	ADDED P/N FOR FIND NOS. 1 & 2; DELETED FIND NO. 11; REMOVED PRELIMINARY DRAWING	03-01-23	
C	0249-03 REMOVED NOTES 3, 4, 5, & 8	03/03/05	



- NOTES:
1. DIELECTRIC MAIN CONTACTS TO ALL MUTUALLY INSULATED POINTS 1500 V RMS COIL TO ALL MUTUALLY INSULATED POINTS 1000 V RMS MAXIMUM LEAKAGE CURRENT FOR ALL DIELECTRIC TEST POINTS IS 1 mA.
 2. MTG. HOLES ARE SPOT FACED TOP & BOTTOM.
 3. RELAY FINISH IS FLAT BLACK.
 4. MANUFACTURING DATE CODE TO BE YEAR, WEEK (YY,XX)

CONSTRUCTION
HERMETIC SEALED, REPAIRABLE

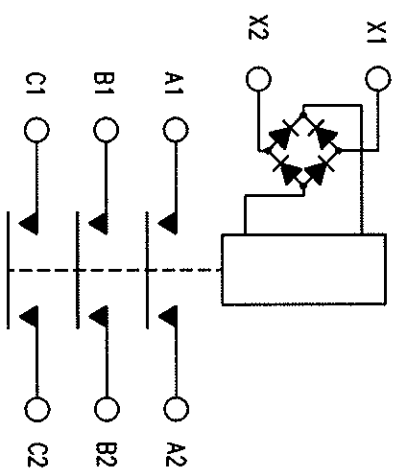
MAIN CONTACT CONFIGURATION
VOLTAGE
CURRENT AT 125° C
RESISTIVE MOTOR
INDUCTIVE LAMP

COIL DATA
RATING
NOMINAL VOLTAGE
PICKUP VOLTAGE
DROPOUT VOLTAGE

AMBIENT TEMPERATURE
LIFE ELECTRICAL
LIFE MECHANICAL
WEIGHT

CONTINUOUS DUTY
115 VAC
75 VAC MAX.
6-30 VAC

-55° TO +125° C
50,000 CYCLES
100,000 CYCLES
1.15 LBS. MAX.



FIND NO.	REV.	DESCRIPTION	DATE	APPROVED
10	1	39529-001		
9	6	51810-054		
8	2	51806-014		
7	12	51702-844		
6	4	51702-204		
5	6	50410-084		
4	2	50406-064		
3	1	16043-001		
2	1	42943-002		
1	1	42301-030		

FIND NO.	REV.	DESCRIPTION	DATE	APPROVED
10	1	OVERLAY		
9	6	WASHER LOCK NO. 10 SPLIT		
8	2	WASHER LOCK NO. 6 SPLIT		
7	12	WASHER FLAT 3/8 X 13/64 X .032		
6	4	WASHER FLAT 3/8 X 9/64 X .032		
5	6	NUT 10-32 X 3/8 X 1/8 HEX		
4	2	NUT 6-32 X 5/16 X 7/64 HEX		
3	1	PLATE-NAME		
2	1	PLATE-WIRING DIAGRAM		
1	1	CONTACTOR ASSEMBLY-PRT.		

FIND NO.	REV.	DESCRIPTION	DATE	APPROVED
10	1	DR BY WER103-01-23		
9	6	CHK BY 03/03/05		
8	2	ENGR 03-01-21		
7	12	MFG 03-01-21		

FIND NO.	REV.	DESCRIPTION	DATE	APPROVED
10	1	SCALE NONE		
9	6	SCALE NONE		
8	2	SCALE NONE		
7	12	SCALE NONE		

FIND NO.	REV.	DESCRIPTION	DATE	APPROVED
10	1	DR BY WER103-01-23		
9	6	CHK BY 03/03/05		
8	2	ENGR 03-01-21		
7	12	MFG 03-01-21		

FIND NO.	REV.	DESCRIPTION	DATE	APPROVED
10	1	SCALE NONE		
9	6	SCALE NONE		
8	2	SCALE NONE		
7	12	SCALE NONE		

FIND NO.	REV.	DESCRIPTION	DATE	APPROVED
10	1	SCALE NONE		
9	6	SCALE NONE		
8	2	SCALE NONE		
7	12	SCALE NONE		

FIND NO.	REV.	DESCRIPTION	DATE	APPROVED
10	1	SCALE NONE		
9	6	SCALE NONE		
8	2	SCALE NONE		
7	12	SCALE NONE		

FIND NO.	REV.	DESCRIPTION	DATE	APPROVED
10	1	SCALE NONE		
9	6	SCALE NONE		
8	2	SCALE NONE		
7	12	SCALE NONE		

FIND NO.	REV.	DESCRIPTION	DATE	APPROVED
10	1	SCALE NONE		
9	6	SCALE NONE		
8	2	SCALE NONE		
7	12	SCALE NONE		

FIND NO.	REV.	DESCRIPTION	DATE	APPROVED
10	1	SCALE NONE		
9	6	SCALE NONE		
8	2	SCALE NONE		
7	12	SCALE NONE		

FIND NO.	REV.	DESCRIPTION	DATE	APPROVED
10	1	SCALE NONE		
9	6	SCALE NONE		
8	2	SCALE NONE		
7	12	SCALE NONE		

FIND NO.	REV.	DESCRIPTION	DATE	APPROVED
10	1	SCALE NONE		
9	6	SCALE NONE		
8	2	SCALE NONE		
7	12	SCALE NONE		

FIND NO.	REV.	DESCRIPTION	DATE	APPROVED
10	1	SCALE NONE		
9	6	SCALE NONE		
8	2	SCALE NONE		
7	12	SCALE NONE		

FIND NO.	REV.	DESCRIPTION	DATE	APPROVED
10	1	SCALE NONE		
9	6	SCALE NONE		
8	2	SCALE NONE		
7	12	SCALE NONE		

FIND NO.	REV.	DESCRIPTION	DATE	APPROVED
10	1	SCALE NONE		
9	6	SCALE NONE		
8	2	SCALE NONE		
7	12	SCALE NONE		

FIND NO.	REV.	DESCRIPTION	DATE	APPROVED
10	1	SCALE NONE		
9	6	SCALE NONE		
8	2	SCALE NONE		
7	12	SCALE NONE		

FIND NO.	REV.	DESCRIPTION	DATE	APPROVED
10	1	SCALE NONE		
9	6	SCALE NONE		
8	2	SCALE NONE		
7	12	SCALE NONE		

FIND NO.	REV.	DESCRIPTION	DATE	APPROVED
10	1	SCALE NONE		
9	6	SCALE NONE		
8	2	SCALE NONE		
7	12	SCALE NONE		

FIND NO.	REV.	DESCRIPTION	DATE	APPROVED
10	1	SCALE NONE		
9	6	SCALE NONE		
8	2	SCALE NONE		
7	12	SCALE NONE		

FIND NO.	REV.	DESCRIPTION	DATE	APPROVED
10	1	SCALE NONE		
9	6	SCALE NONE		
8	2	SCALE NONE		
7	12	SCALE NONE		

FIND NO.	REV.	DESCRIPTION	DATE	APPROVED
10	1	SCALE NONE		
9	6	SCALE NONE		
8	2	SCALE NONE		
7	12	SCALE NONE		

FIND NO.	REV.	DESCRIPTION	DATE	APPROVED
10	1	SCALE NONE		
9	6	SCALE NONE		
8	2	SCALE NONE		
7	12	SCALE NONE		

FIND NO.	REV.	DESCRIPTION	DATE	APPROVED
10	1	SCALE NONE		
9	6	SCALE NONE		
8	2	SCALE NONE		
7	12	SCALE NONE		

FIND NO.	REV.	DESCRIPTION	DATE	APPROVED
10	1	SCALE NONE		
9	6	SCALE NONE		
8	2	SCALE NONE		
7	12	SCALE NONE		

FIND NO.	REV.	DESCRIPTION	DATE	APPROVED
10	1	SCALE NONE		
9	6	SCALE NONE		
8	2	SCALE NONE		
7	12	SCALE NONE		

FIND NO.	REV.	DESCRIPTION	DATE	APPROVED
10	1	SCALE NONE		
9	6	SCALE NONE		
8	2	SCALE NONE		
7	12	SCALE NONE		

FIND NO.	REV.	DESCRIPTION	DATE	APPROVED
10	1	SCALE NONE		
9	6	SCALE NONE		
8	2	SCALE NONE		
7	12	SCALE NONE		

FIND NO.	REV.	DESCRIPTION	DATE	APPROVED
10	1	SCALE NONE		
9	6	SCALE NONE		
8	2	SCALE NONE		
7	12	SCALE NONE		

FIND NO.	REV.	DESCRIPTION	DATE	APPROVED
10	1	SCALE NONE		
9	6	SCALE NONE		
8	2	SCALE NONE		
7	12	SCALE NONE		

FIND NO.	REV.	DESCRIPTION	DATE	APPROVED
10	1	SCALE NONE		
9	6	SCALE NONE		
8	2	SCALE NONE		
7	12	SCALE NONE		

FIND NO.	REV.	DESCRIPTION	DATE	APPROVED
10	1	SCALE NONE		
9	6	SCALE NONE		
8	2	SCALE NONE		
7	12	SCALE NONE		

FIND NO.	REV.	DESCRIPTION	DATE	APPROVED
10	1	SCALE NONE		
9	6	SCALE NONE		
8	2	SCALE NONE		
7	12	SCALE NONE		

FIND NO.	REV.	DESCRIPTION	DATE	APPROVED
10	1	SCALE NONE		
9	6	SCALE NONE		
8	2	SCALE NONE		
7	12	SCALE NONE		

FIND NO.	REV.	DESCRIPTION	DATE	APPROVED
10	1	SCALE NONE		
9	6	SCALE NONE		
8	2	SCALE NONE		
7	12	SCALE NONE		

FIND NO.	REV.	DESCRIPTION	DATE	APPROVED
10	1	SCALE NONE		
9	6	SCALE NONE		
8	2	SCALE NONE		
7	12	SCALE NONE		

FIND NO.	REV.	DESCRIPTION	DATE	APPROVED
10	1	SCALE NONE		
9	6	SCALE NONE		
8	2	SCALE NONE		
7	12	SCALE NONE		

FIND NO.	REV.	DESCRIPTION	DATE	APPROVED
10	1	SCALE NONE		
9	6	SCALE NONE		
8	2	SCALE NONE		
7	12	SCALE NONE		

FIND NO.	REV.	DESCRIPTION	DATE	APPROVED
10	1	SCALE NONE		
9	6	SCALE NONE		
8	2	SCALE NONE		
7	12	SCALE NONE		

FIND NO.	REV.	DESCRIPTION	DATE	APPROVED
10	1	SCALE NONE		
9	6	SCALE NONE		
8	2	SCALE NONE		
7	12	SCALE NONE		

FIND NO.	REV.	DESCRIPTION	DATE	APPROVED
10	1	SCALE NONE		
9	6	SCALE NONE		
8	2	SCALE NONE		
7	12	SCALE NONE		

FIND NO.	REV.	DESCRIPTION	DATE	APPROVED
10	1	SCALE NONE		
9	6	SCALE NONE		
8	2	SCALE NONE		
7	12	SCALE NONE		

FIND NO.	REV.	DESCRIPTION	DATE	APPROVED
10	1	SCALE NONE		
9	6	SCALE NONE		
8	2	SCALE NONE		
7	12	SCALE NONE		

FIND NO.	REV.	DESCRIPTION	DATE	APPROVED
10	1	SCALE NONE		
9	6	SCALE NONE		
8	2	SCALE NONE		
7	12	SCALE NONE		

FIND NO.	REV.	DESCRIPTION	DATE	APPROVED
10	1	SCALE NONE		
9	6	SCALE NONE		
8	2	SCALE NONE		
7	12	SCALE NONE		

FIND NO.	REV.	DESCRIPTION	DATE	APPROVED
10	1	SCALE NONE		

X-ON Electronics

Largest Supplier of Electrical and Electronic Components

Click to view similar products for [Contactors - Electromechanical category:](#)

Click to view products by [TE Connectivity manufacturer:](#)

Other Similar products are found below :

[6-1618400-7](#) [686-117111](#) [686-120111](#) [686-924](#) [686-948](#) [70-901](#) [70-914](#) [MB-3D-6](#) [MC-22A/4-AC120V](#) [8-1616943-9](#) [8-1672124-5](#)
[A40-30-10-84](#) [120-905](#) [A701U](#) [120-904](#) [1393132-9](#) [154-905](#) [154-912](#) [154-913](#) [154-915](#) [154-902](#) [154-910](#) [AVR743D](#) [B6-40-00-84](#) [B7-40-00-84](#) [1616017-5](#) [1616021-1](#) [MVDILM](#) [HP-11D-24](#) [P25-E5019-1](#) [P30C47A12D1-120](#) [P40C47A12D1-120](#) [P40P47D13P1-24-01](#) [CA7-12-10-240](#) [CA7-72-00-24Z](#) [90-162](#) [9-1393132-2](#) [2NC4F0222](#) [A275KXXV2-120VAC](#) [ACC338UMM20](#) [AF80-30-11-13](#) [SZ-B1](#) [CGC-9A-120](#) [3GC2H0M22](#) [3NC0T0A22](#) [3NC1Q0A22](#) [3NC2H0A22](#) [3NC2T0122/SE](#) [3TF3400-0BB4](#) [MC-12B-DC24V](#)