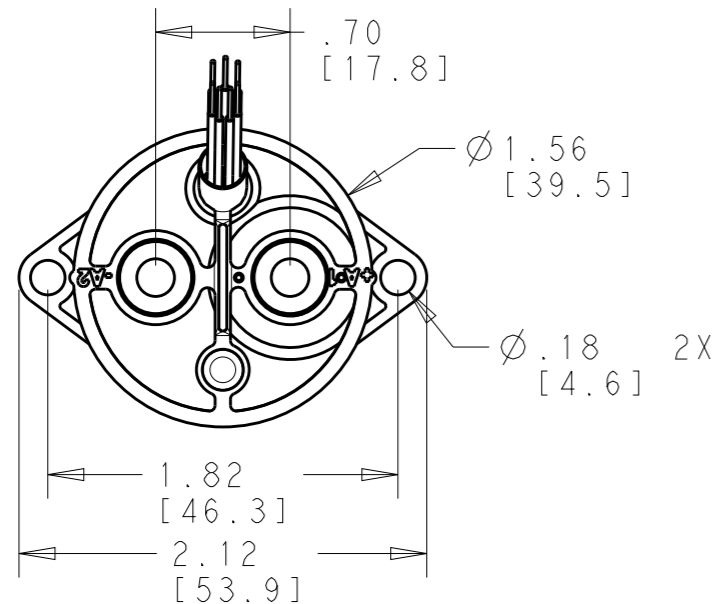


REVISIONS

P	LTR	DESCRIPTION	DATE	DWN	APVD
	A	INITIAL RELEASE	30DEC2016	MP	MP

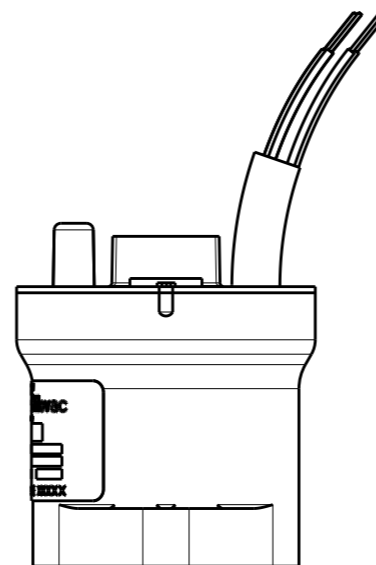
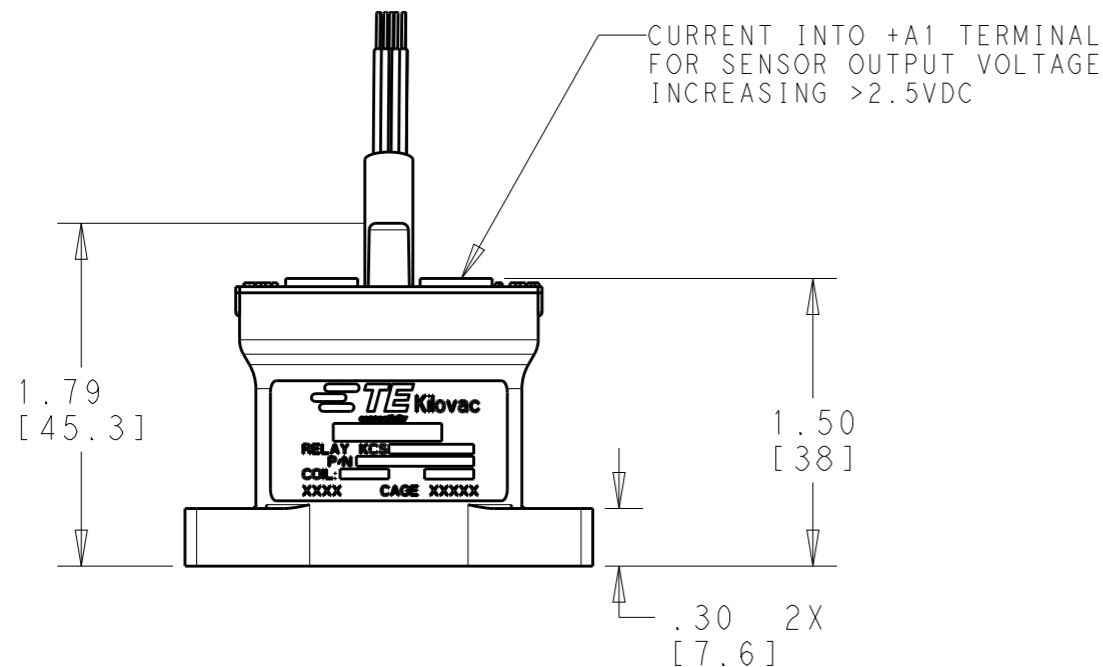


MOUNTING - 2 PLCS (HARDWARE NOT SUPPLIED)
 2 X M4 BOLT, LOCKWASHER AND WASHER
 TORQUE: 20 IN-LBS (2.3 NM) MAX

LOAD TERMINALS-2 PLCS (HARDWARE NOT SUPPLIED)
 2 X M5 BOLT, LOCKWASHER AND WASHER
 TORQUE: 30-40 IN-LBS (3.4 TO 4.5 NM)
 DEPTH: 7 THREADS MAX



OBSERVE PROPER POLARITIES FOR CONTROL LINES
 UNTERMINATED WIRES - USE ESD HANDLING PROCEDURES



NOTES:

- LEAD LENGTH 15" +/- 0.5" FROM TOP OF TERMINAL SEAT
- 26 AWG RED = +V_{coil}
- 26 AWG BLACK = RETURN
- 26 AWG PURPLE = TRIP DELAY/DISABLE
- 26 AWG ORANGE = CURRENT SENSE POWER
- 26 AWG WHITE = CURRENT SENSE OUTPUT
- 26 AWG BLUE = Rx CONNECTION
- 26 AWG YELLOW = Rx CONNECTION

METRIC DIMENSIONS FOR REFERENCE ONLY

WEIGHT: 150 GRAMS MAX

SEE PRODUCT DATA SHEET FOR PERFORMANCE SPECIFICATIONS

THIS DRAWING IS A CONTROLLED DOCUMENT.		DWN MP	30DEC2016	TE Connectivity	
DIMENSIONS: IN		CHK MP	30DEC2016		
		APVD MP	30DEC2016	NAME KCS01X SERIES CONTACTOR, SPST-NO, 100A	
		TOLERANCES UNLESS OTHERWISE SPECIFIED:		-	
MATERIAL		PRODUCT SPEC		-	
FINISH		APPLICATION SPEC		-	
-		WEIGHT		SIZE	A3
		CUSTOMER DRAWING		CAGE CODE	18741
				DRAWING NO	©-KCS01X_SERIES
				RESTRICTED TO	-
				SCALE	1:1
				SHEET	1 OF 1
				REV	A

X-ON Electronics

Largest Supplier of Electrical and Electronic Components

Click to view similar products for [Contactors - Electromechanical category:](#)

Click to view products by [TE Connectivity manufacturer:](#)

Other Similar products are found below :

[6-1618400-7](#) [686-117111](#) [686-120111](#) [686-924](#) [686-948](#) [70-901](#) [70-914](#) [MB-3D-6](#) [MC-22A/4-AC120V](#) [8-1616943-9](#) [8-1672124-5](#)
[A40-30-10-84](#) [120-905](#) [A701U](#) [120-904](#) [1393132-9](#) [154-905](#) [154-912](#) [154-913](#) [154-915](#) [154-902](#) [154-910](#) [AVR743D](#) [B6-40-00-84](#) [B7-40-00-84](#) [1616017-5](#) [1616021-1](#) [MVDILM](#) [HP-11D-24](#) [P25-E5019-1](#) [P30C47A12D1-120](#) [P40C47A12D1-120](#) [P40P47D13P1-24-01](#) [CA7-12-10-240](#) [CA7-72-00-24Z](#) [90-162](#) [9-1393132-2](#) [2NC4F0222](#) [A275KXXV2-120VAC](#) [ACC338UMM20](#) [AF80-30-11-13](#) [SZ-B1](#) [CGC-9A-120](#) [3GC2H0M22](#) [3NC0T0A22](#) [3NC1Q0A22](#) [3NC2H0A22](#) [3NC2T0122/SE](#) [3TF3400-0BB4](#) [MC-12B-DC24V](#)