

THIS DRAWING IS UNPUBLISHED.

RELEASED FOR PUBLICATION

---

REVISIONS

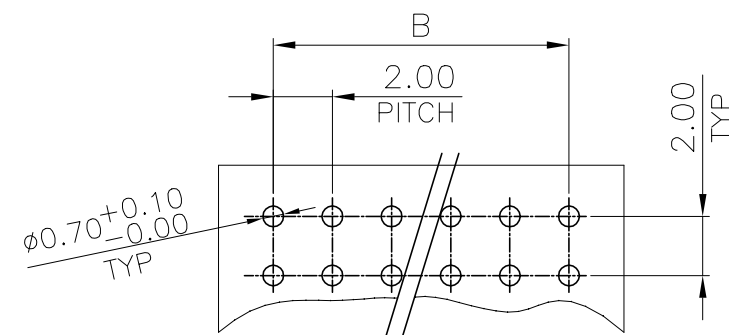
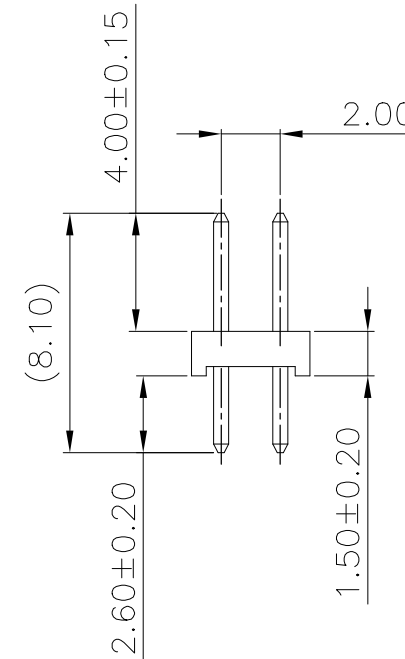
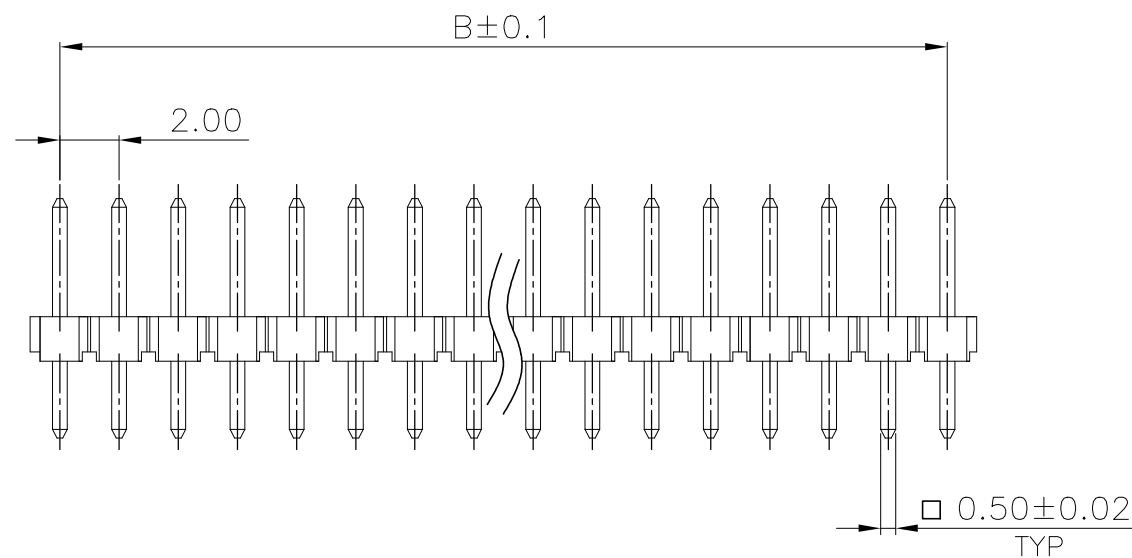
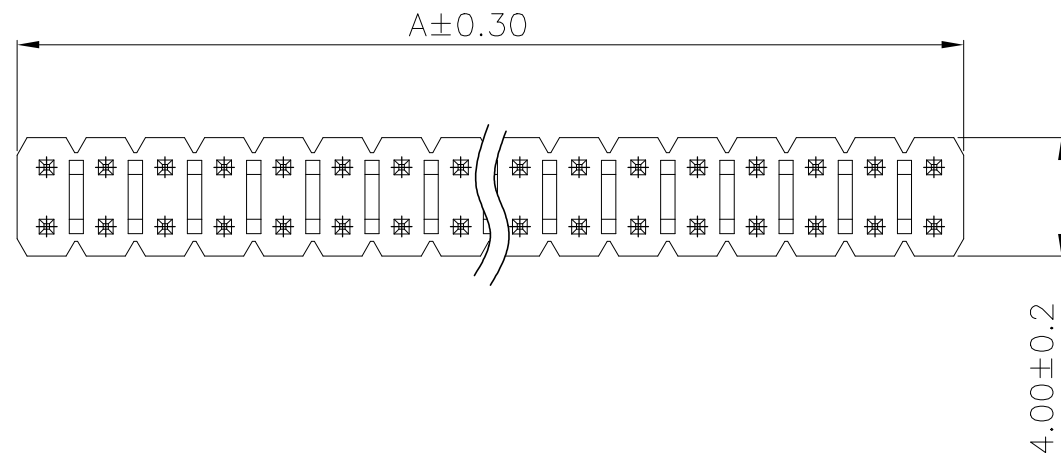
© COPYRIGHT - TE Connectivity Ltd.

ALL RIGHTS RESERVED.

P	LTR	DESCRIPTION	DATE	DWN	APVD
	C3	OBSOLETE 9-1734508-2 AND 9-1734508-4	18OCT19	AY	PS

NOTE :

- MATERIAL :  
HOUSING : PA6T WITH 30% GF, UL94V-0, BLACK COLOR.  
CONTACT : BRASS.
- FINISH :  
CONTACT: 0.2um [8μ"] MIN. GOLD PLATED ON CONTACT AREA  
2.54um [100μ"] MIN. MATTE TIN PLATED ON SOLDER TAIL,  
1.27um [50μ"] MIN. NICKEL UNDERPLATED OVER ALL
- APPLICATION :  
SOLDERTAIL LENGTH 2.6 FOR PCB THICKNESS 1.6±0.1
- WAVE SOLDER CAPABLE TO 265°C PER TE SPEC 109-202, CONDITION B.



RECOMMENDED PCB LAYOUT  
TOLERANCE: ±0.05; THICKNESS: 1.0~1.6MM

2	10.00	8.00	10	1-	-1
80.00	78.00	80	8-	-0	
78.00	76.00	78	7-	-8	
76.00	74.00	76	7	-6	
74.00	72.00	74	7-	-4	
72.00	70.00	72	7	-2	
70.00	68.00	70	7-	0	
68.00	66.00	68	6-	-8	
66.00	64.00	66	6	-6	
64.00	62.00	64	6-	-4	
62.00	60.00	62	6	-2	
60.00	58.00	60	6-	0	
58.00	56.00	58	5-	-8	
56.00	54.00	56	5	-6	
54.00	52.00	54	5-	-4	
52.00	50.00	52	5	-2	
50.00	48.00	50	5-	0	
48.00	46.00	48	4-	-8	
46.00	44.00	46	4-	-6	
44.00	42.00	44	4	-4	
42.00	40.00	42	4-	-2	
40.00	38.00	40	4-	0	
38.00	36.00	38	3-	-8	
36.00	34.00	36	3-	-6	
34.00	32.00	34	3	-4	
32.00	30.00	32	3-	-2	
30.00	28.00	30	3-	0	
28.00	26.00	28	2-	-8	
26.00	24.00	26	2	-6	
24.00	22.00	24	2-	-4	
22.00	20.00	22	2-	-2	
20.00	18.00	20	2-	0	
18.00	16.00	18	1-	-8	
16.00	14.00	16	1	-6	
14.00	12.00	14	1-	-4	
12.00	10.00	12	1	-2	
10.00	8.00	10	1-	0	
8.00	6.00	8		-8	
6.00	4.00	6		-6	
4.00	2.00	4			1734508-4
KEYING POS.	A	B	POSITION NUMBER	PART NUMBER	

THIS DRAWING IS A CONTROLLED DOCUMENT.		DWN S. CHIEN 02DEC2008	TE Connectivity Ltd.		
		CHK S. CHIEN 02DEC2008			
DIMENSIONS: mm		APVD W. KODAMA 02DEC2008	NAME		
TOLERANCES UNLESS OTHERWISE SPECIFIED:		PRODUCT SPEC	AMPMODU 2.0mm PITCH POST HDR, VERTICAL, MOUNT TYPE		
0 PLC ± 0.5 1 PLC ± 0.2 2 PLC ± 0.1 3 PLC ± 0.05 4 PLC ± - ANGLES ± 3		APPLICATION SPEC	108-57197		
MATERIAL SEE NOTES		FINISH SEE NOTES	SIZE	CAGE CODE	DRAWING NO
		WEIGHT -	A3	00779	C-1734508
		CUSTOMER DRAWING	RESTRICTED TO	-	
		SCALE 1:1	SHEET 2 OF 4	REV C3	

4

3

2

1

THIS DRAWING IS UNPUBLISHED.

RELEASED FOR PUBLICATION

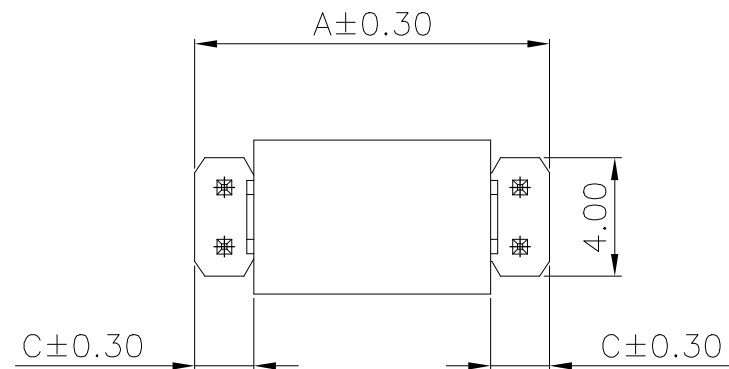
- , -

REVISIONS

© COPYRIGHT - TE Connectivity Ltd.

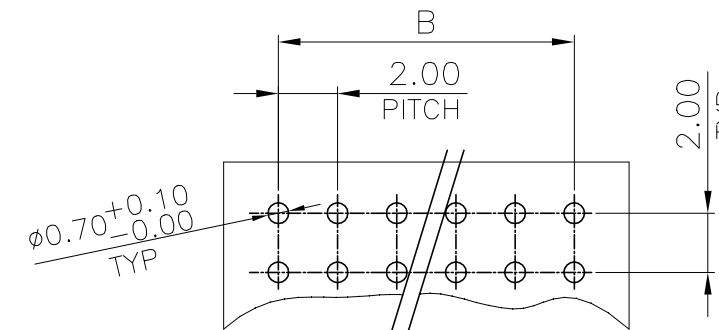
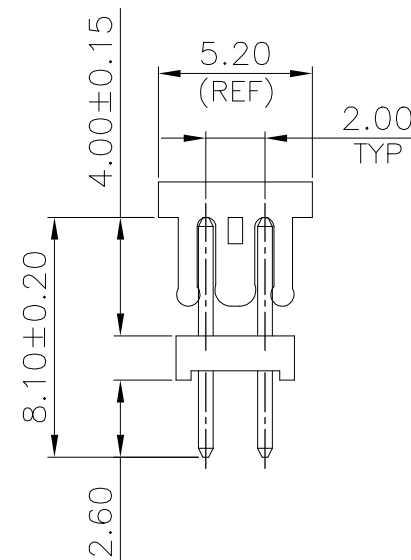
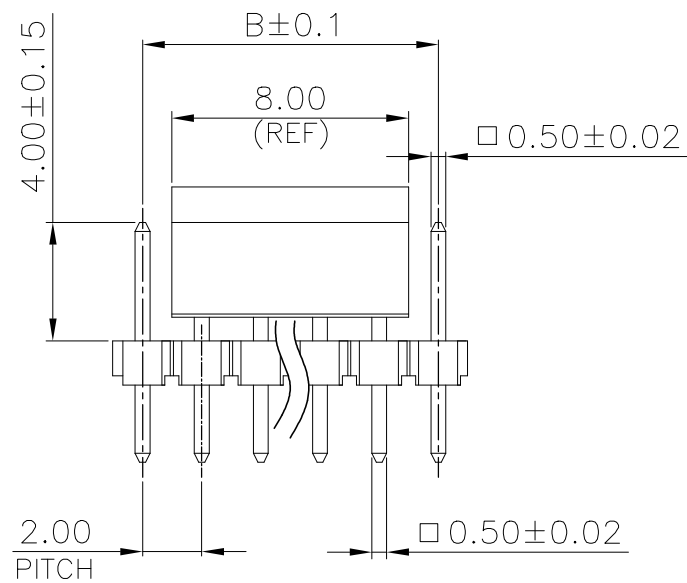
ALL RIGHTS RESERVED.

P	LTR	DESCRIPTION	DATE	DWN	APVD
-	-	SEE SHEET 1	-	-	-



NOTE:

- MATERIAL:  
HOUSING: PA6T WITH 30% GF, UL 94V-0, BLACK COLOR.  
CAP: LCP WITH 30% GF, UL 94V-0. BLACK COLOR.  
CONTACT: BRASS.
- FINISH :  
CONTACT:  
0.0254um [10u"] MIN. GOLD PLATED ON CONTACT AREA  
2.54um [100u"] MIN. MATTE-TIN PLATED ON SOLDER TAIL,  
1.27um [50u"] MIN. NICKEL UNDERPLATED OVER ALL
- WAVE SOLDER CAPABLE TO 265°C PER TEST SPEC 109-202, CONDITION B.



RECOMMENDED PCB LAYOUT  
TOLERANCE:  $\pm 0.05$ ; THICKNESS: 1.0~1.6MM

OBSOLETE	3.00	14.00	12.00	14	9-1734508-4
OBSOLETE	2.00	12.00	10.00	12	9-1734508-2
	C	A	B	POSITION NUMBER	PART NUMBER
DIMENSIONS					

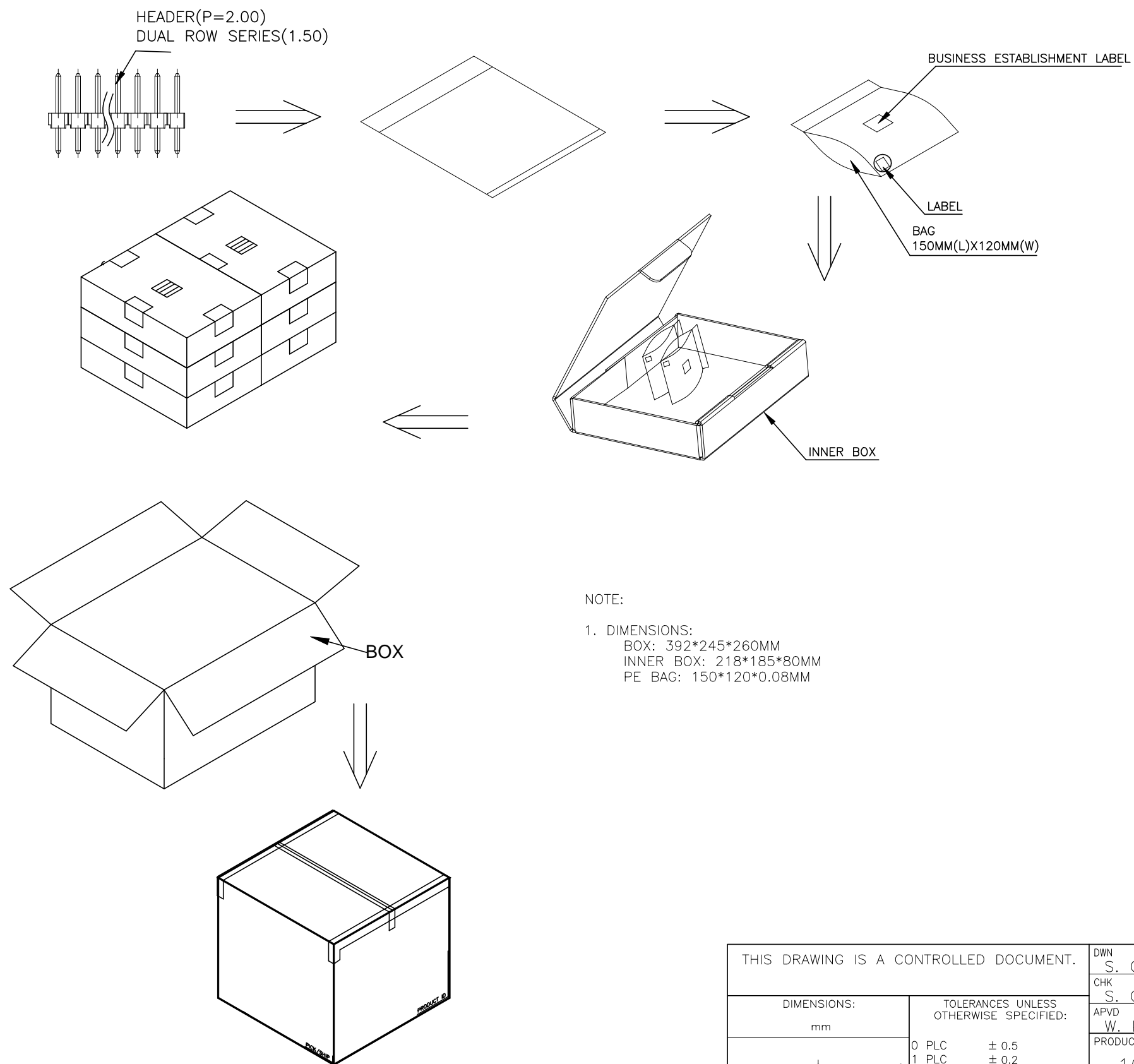
THIS DRAWING IS A CONTROLLED DOCUMENT.		DWN S. CHIEN	02DEC2008	<b>TE</b> TE Connectivity Ltd.	
DIMENSIONS: mm		CHK S. CHIEN	02DEC2008		
TOLERANCES UNLESS OTHERWISE SPECIFIED:		APVD W. KODAMA	02DEC2008	NAME AMPMODU 2.0mm PITCH POST HDR, VERTICAL, MOUNT TYPE	
0 PLC $\pm 0.5$ 1 PLC $\pm 0.2$ 2 PLC $\pm 0.1$ 3 PLC $\pm 0.05$ 4 PLC $\pm -$ ANGLES $\pm 3$		PRODUCT SPEC 108-57197		SIZE A3	
MATERIAL SEE NOTES		FINISH SEE NOTES		CAGE CODE 00779	
		WEIGHT -		DRAWING NO 1734508	
		CUSTOMER DRAWING		RESTRICTED TO -	
		SCALE 1:1		SHEET 1 of 4	
				REV C3	

THIS DRAWING IS UNPUBLISHED. RELEASED FOR PUBLICATION  
 © COPYRIGHT - TE Connectivity Ltd. ALL RIGHTS RESERVED.

REVISIONS					
P	LTR	DESCRIPTION	DATE	DWN	APVD
-	-	SEE SHEET 1	-	-	-

D  
C  
B  
A

D  
C  
B  
A



NOTE:  
 1. DIMENSIONS:  
 BOX: 392\*245\*260MM  
 INNER BOX: 218\*185\*80MM  
 PE BAG: 150\*120\*0.08MM

KG	KG	PCS					
6.90	5.52	500	8	6	24000	PCS	10
5.786	4.406	50	8	6	2400	PCS	80
<del>5.676</del>	<del>4.296</del>	<del>50</del>	<del>8</del>	<del>6</del>	<del>2400</del>	<del>PCS</del>	<del>78</del>
<del>5.565</del>	<del>4.185</del>	<del>50</del>	<del>8</del>	<del>6</del>	<del>2400</del>	<del>PCS</del>	<del>76</del>
<del>5.433</del>	<del>4.053</del>	<del>50</del>	<del>8</del>	<del>6</del>	<del>2400</del>	<del>PCS</del>	<del>74</del>
<del>5.344</del>	<del>3.964</del>	<del>50</del>	<del>8</del>	<del>6</del>	<del>2400</del>	<del>PCS</del>	<del>72</del>
<del>5.236</del>	<del>3.856</del>	<del>50</del>	<del>8</del>	<del>6</del>	<del>2400</del>	<del>PCS</del>	<del>70</del>
<del>5.126</del>	<del>3.746</del>	<del>50</del>	<del>8</del>	<del>6</del>	<del>2400</del>	<del>PCS</del>	<del>68</del>
<del>5.74</del>	<del>4.36</del>	<del>60</del>	<del>8</del>	<del>6</del>	<del>2880</del>	<del>PCS</del>	<del>66</del>
<del>5.61</del>	<del>4.23</del>	<del>60</del>	<del>8</del>	<del>6</del>	<del>2880</del>	<del>PCS</del>	<del>64</del>
<del>5.478</del>	<del>4.098</del>	<del>60</del>	<del>8</del>	<del>6</del>	<del>2880</del>	<del>PCS</del>	<del>62</del>
<del>6.006</del>	<del>4.626</del>	<del>70</del>	<del>8</del>	<del>6</del>	<del>3360</del>	<del>PCS</del>	<del>60</del>
<del>5.852</del>	<del>4.472</del>	<del>70</del>	<del>8</del>	<del>6</del>	<del>3360</del>	<del>PCS</del>	<del>58</del>
<del>7.548</del>	<del>6.168</del>	<del>100</del>	<del>8</del>	<del>6</del>	<del>4800</del>	<del>PCS</del>	<del>56</del>
<del>7.33</del>	<del>5.947</del>	<del>100</del>	<del>8</del>	<del>6</del>	<del>4800</del>	<del>PCS</del>	<del>54</del>
<del>7.106</del>	<del>5.726</del>	<del>100</del>	<del>8</del>	<del>6</del>	<del>4800</del>	<del>PCS</del>	<del>52</del>
6.89	5.51	100	8	6	4800	PCS	50
6.669	5.289	100	8	6	4800	PCS	48
6.448	5.068	100	8	6	4800	PCS	46
<del>6.228</del>	<del>4.848</del>	<del>100</del>	<del>8</del>	<del>6</del>	<del>4800</del>	<del>PCS</del>	<del>44</del>
6.007	4.627	100	8	6	4800	PCS	42
5.786	4.406	100	8	6	4800	PCS	40
5.565	4.185	100	8	6	4800	PCS	38
5.344	3.964	100	8	6	4800	PCS	36
<del>5.124</del>	<del>3.744</del>	<del>100</del>	<del>8</del>	<del>6</del>	<del>4800</del>	<del>PCS</del>	<del>34</del>
4.903	3.523	100	8	6	4800	PCS	32
4.687	3.307	100	8	6	4800	PCS	30
4.466	3.086	100	8	6	4800	PCS	28
<del>5.678</del>	<del>4.298</del>	<del>150</del>	<del>8</del>	<del>6</del>	<del>7200</del>	<del>PCS</del>	<del>26</del>
5.35	3.97	150	8	6	7200	PCS	24
6.23	4.85	200	8	6	9600	PCS	22
5.79	4.41	200	8	6	9600	PCS	20
6.35	4.97	250	8	6	12000	PCS	18
<del>5.78</del>	<del>4.40</del>	<del>250</del>	<del>8</del>	<del>6</del>	<del>12000</del>	<del>PCS</del>	<del>16</del>
6.00	4.62	300	8	6	14400	PCS	14
<del>5.34</del>	<del>3.96</del>	<del>300</del>	<del>8</del>	<del>6</del>	<del>14400</del>	<del>PCS</del>	<del>12</del>
6.90	5.52	500	8	6	24000	PCS	10
5.80	4.42	500	8	6	24000	PCS	8
6.68	5.30	800	8	6	38400	PCS	6
5.79	4.41	1000	8	6	48000	PCS	4
GROSS WEIGHT	NET WEIGHT	PCS/BAG	BAGS /INNER CARTON	INNER CARTON /CARTON	QUANTITY	NO. OF POSTS	

THIS DRAWING IS A CONTROLLED DOCUMENT.		DWN	S. CHIEN	02DEC2008
DIMENSIONS: mm		CHK	S. CHIEN	02DEC2008
TOLERANCES UNLESS OTHERWISE SPECIFIED:		APVD	W. KODAMA	02DEC2008
0 PLC ± 0.5		NAME		
1 PLC ± 0.2		AMPMODU 2.0mm PITCH POST HDR, VERTICAL, MOUNT TYPE		
2 PLC ± 0.1		PRODUCT SPEC		
3 PLC ± 0.05		108-57197		
4 PLC ± -		APPLICATION SPEC		
ANGLES ± 3		-		
MATERIAL		WEIGHT	-	
SEE NOTES		CUSTOMER DRAWING		
FINISH		SEE NOTES		
		SCALE	1:1	SHEET 3 of 4
		REV C3		RESTRICTED TO



4

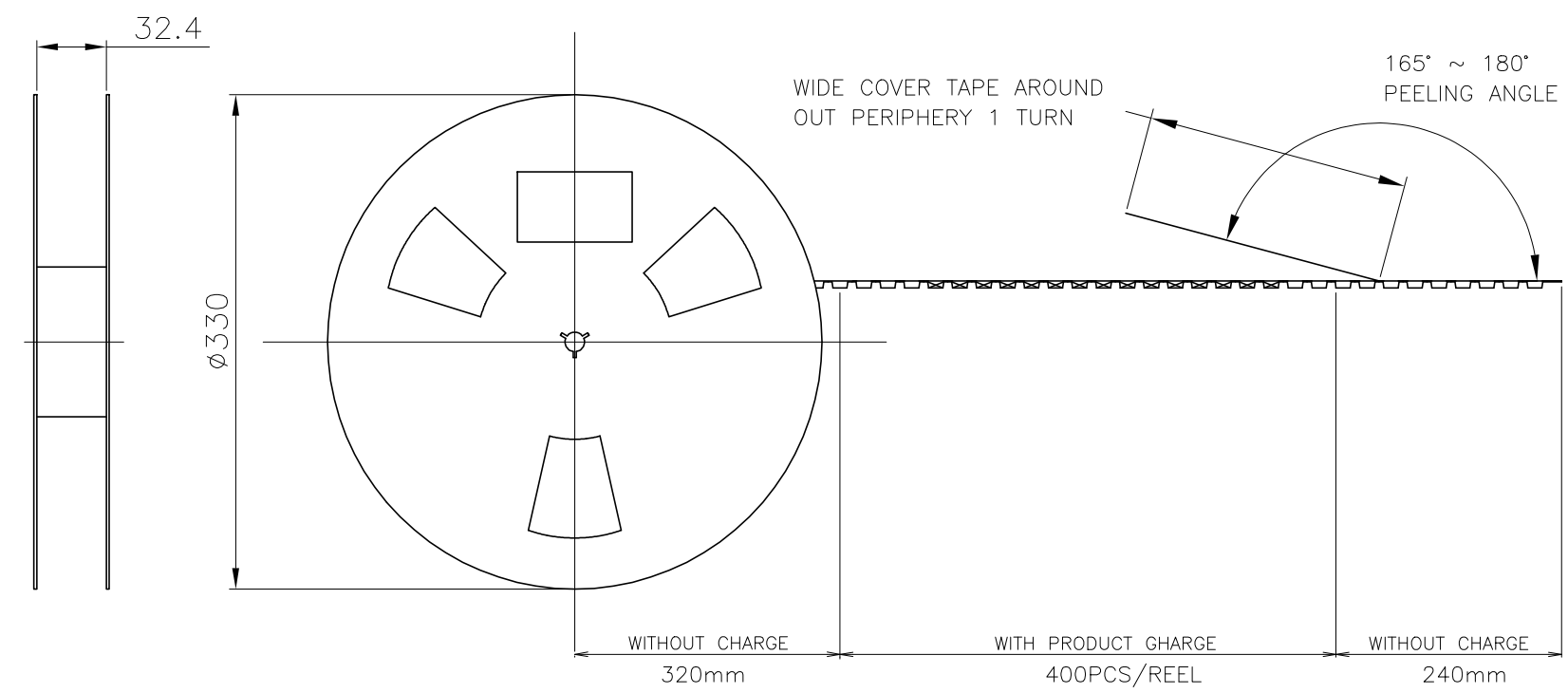
3

2

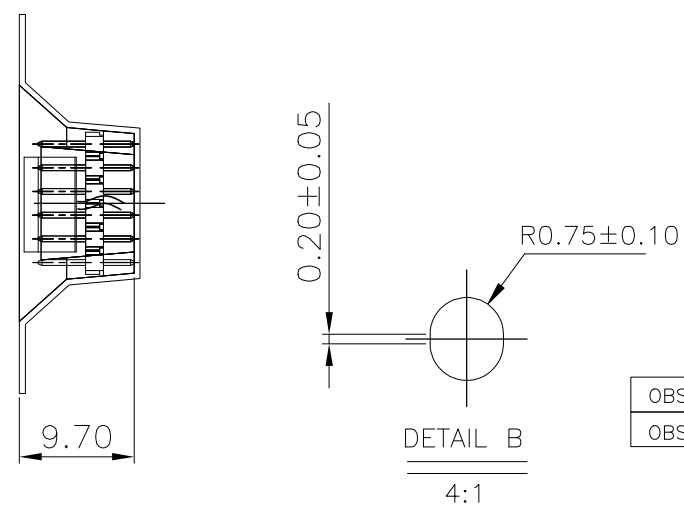
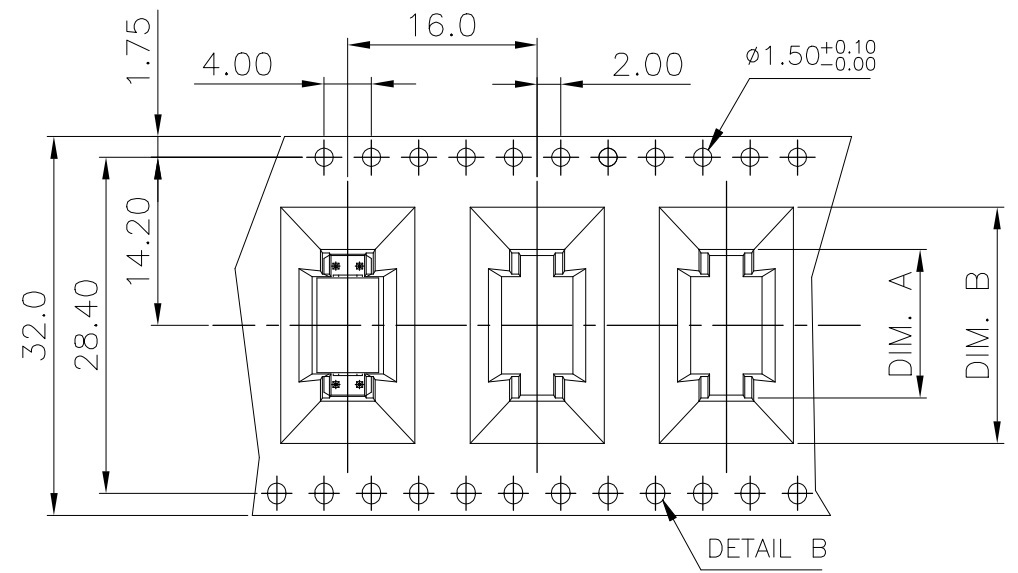
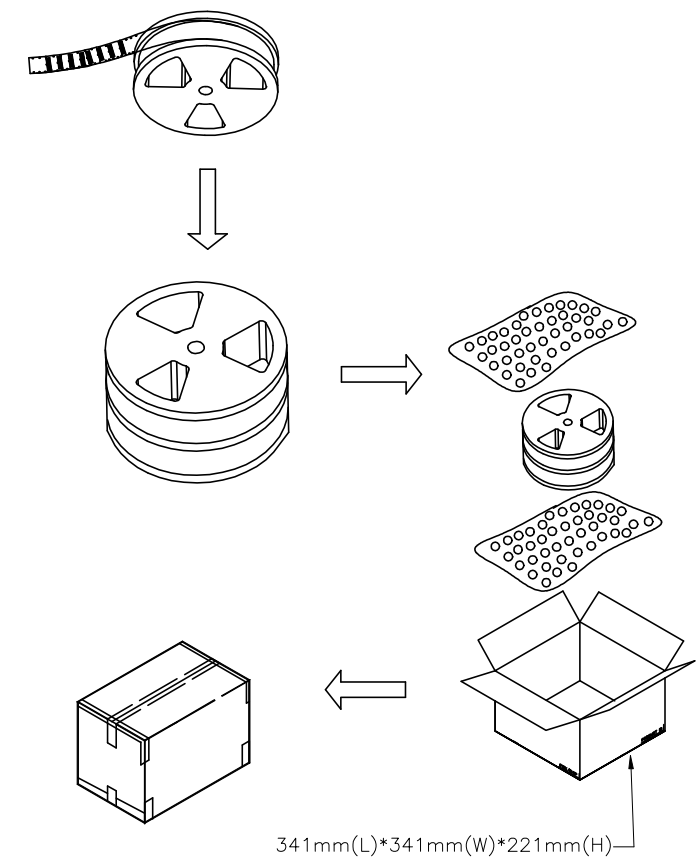
1

THIS DRAWING IS UNPUBLISHED. RELEASED FOR PUBLICATION  
 © COPYRIGHT - TE Connectivity Ltd. ALL RIGHTS RESERVED.

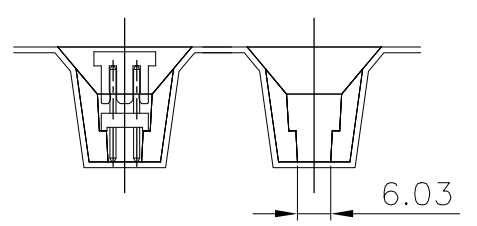
REVISIONS					
P	LTR	DESCRIPTION	DATE	DWN	APVD
-	-	SEE SHEET 1	-	-	-



- NOTES :
- MATERIAL :  
 COVER TAPE : PT+ABS, COLOR: TRANSPARENT  
 CARRIER TAPE : PS  
 REEL : PS  
 SHIPPING BOX: CORRUGATED FIBER
  - PEELING RESISTANCE : 10gf~130gf (for 12mm~56mm)
  - PEELING SPEED : 300mm/MINUTES



OBSOLETE	22.00	14.80	3.70KG	1.03KG	2000	400	14	9-1734508-4
OBSOLETE	20.00	12.80	3.51KG	0.94KG	2000	400	12	9-1734508-2
	DIM. B	DIM. A	GROSS WEIGHT	NET WEIGHT	PCS/BOX	PCS/REEL	POS	PART NO.



THIS DRAWING IS A CONTROLLED DOCUMENT.		DWN S. CHIEN 02DEC2008	TE Connectivity Ltd.	
DIMENSIONS: mm		CHK S. CHIEN 02DEC2008		
TOLERANCES UNLESS OTHERWISE SPECIFIED:		APVD W. KODAMA 02DEC2008	NAME	
0 PLC ± 0.5		PRODUCT SPEC	AMPMODU 2.0mm PITCH POST HDR, VERTICAL, MOUNT TYPE	
1 PLC ± 0.2		108-57197	-	
2 PLC ± 0.1		APPLICATION SPEC	-	
3 PLC ± 0.05		-	SIZE	CAGE CODE
4 PLC ± -		WEIGHT	A3	00779
ANGLES ± 3		CUSTOMER DRAWING	DRAWING NO	C-1734508
FINISH		SCALE	RESTRICTED TO	
SEE NOTES		1:1	-	
		SHEET	REV	
		4 of 4	C3	

## X-ON Electronics

Largest Supplier of Electrical and Electronic Components

*Click to view similar products for [Headers & Wire Housings](#) category:*

*Click to view products by [TE Connectivity](#) manufacturer:*

Other Similar products are found below :

[95000-104TRLF](#) [10135584-644402LF](#) [DF62W-EP2022PCA](#) [95000-106TRLF](#) [DF62W-2022SCA](#) [DF62W-EP2022PC](#) [2203348](#) [DF62W-2022SC](#) [1084018](#) [1029039](#) [1084017](#) [802-10-012-10-002000](#) [1112640](#) [1112639](#) [000-34000](#) [0009482033](#) [0009507031](#) [57102-S06-03LF](#) [57202-S52-04LF](#) [PCN6-15S-2.5E](#) [0039019024](#) [58102-G61-06LF](#) [582553-1](#) [0009508121](#) [0050291907](#) [018731A](#) [LY20-4P-DT1-P1E-BR](#) [02.125.8002.8](#) [60101931](#) [60598-1 \(Cut Strip\)](#) [M1625-3R/100](#) [61062-3](#) [61082-181009](#) [636-1427](#) [638009-1](#) [641938-9](#) [641991-4](#) [644168-1](#) [647662-1](#) [65039-019ELF](#) [65817-002LF](#) [65817-015LF](#) [65863-015LF](#) [66207-023LF](#) [67016-026LF](#) [67046-001LF](#) [67095-007LF](#) [68002-116](#) [68016-236H](#) [68648-049](#)