

4

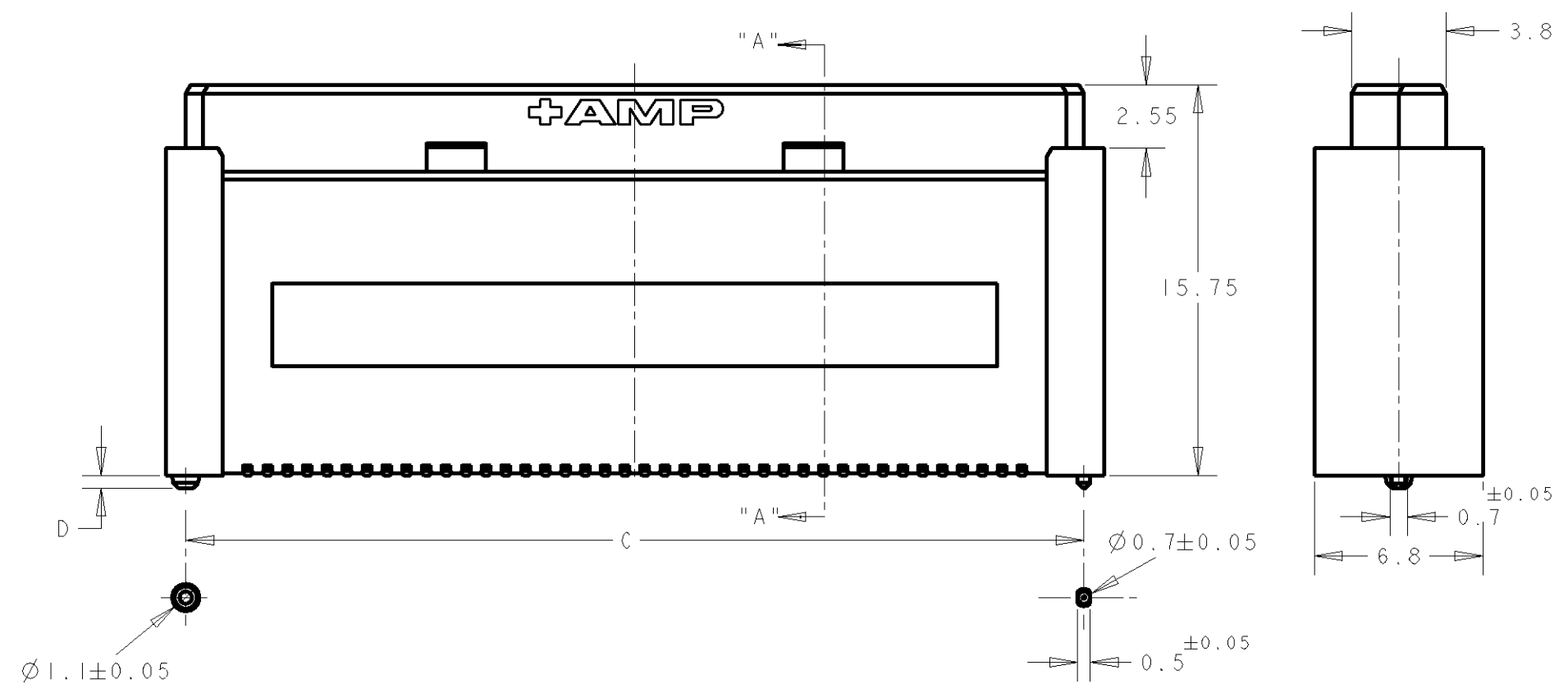
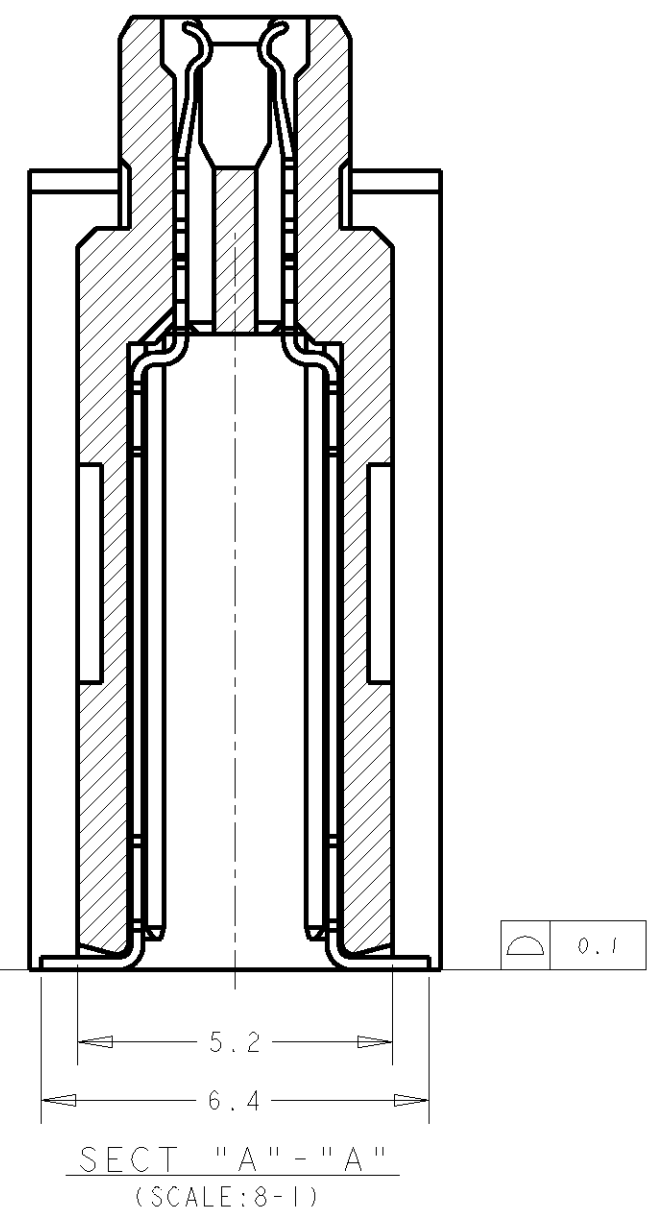
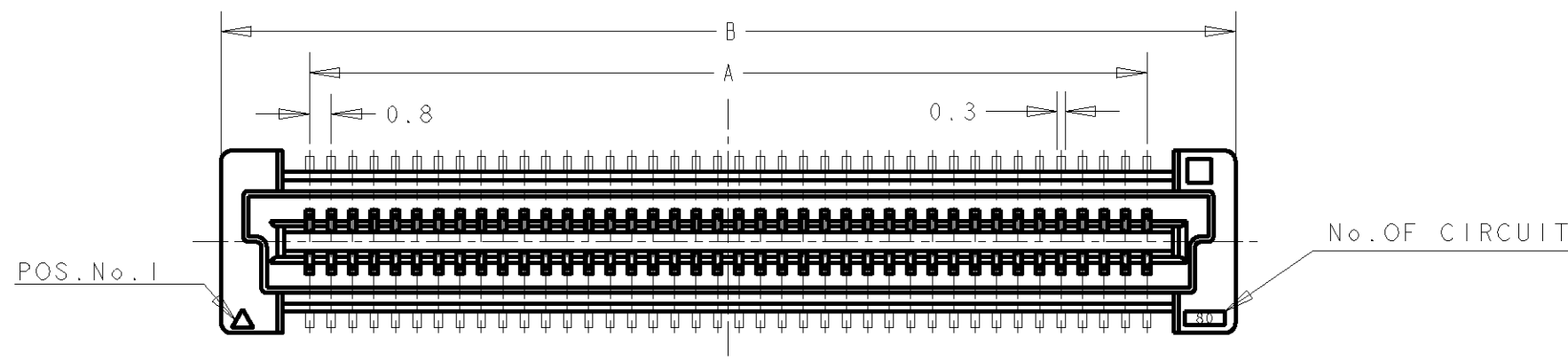
3

2

1

THIS DRAWING IS UNPUBLISHED. RELEASED FOR PUBLICATION
 © COPYRIGHT - BY - ALL RIGHTS RESERVED.

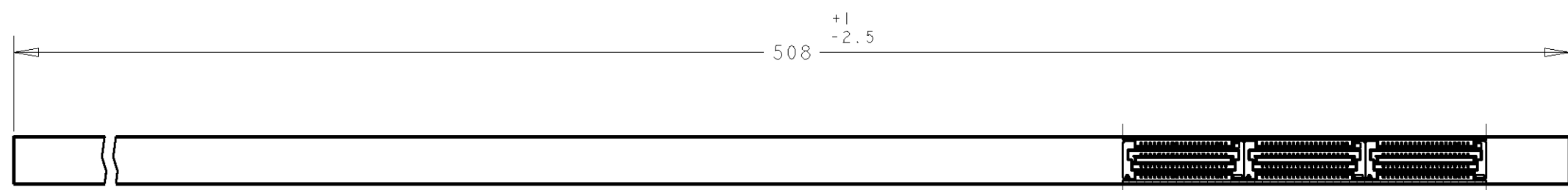
LOC	DIST	REVISIONS			
P	LTR	DESCRIPTION	DATE	DWN	APVD
DY	-	A2 REVISED PER ECO-11-005139	19MAR11	RK	HMR



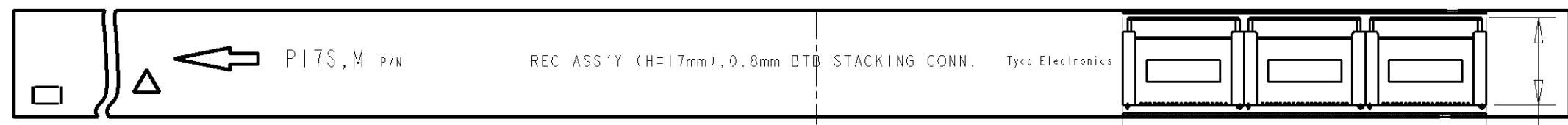
DWN WYLEE 10JUL2007		STE TE Connectivity	
CHK YJ SEE		NAME RECEPTACLE 17mm HEIGHT FH 0.8mm PITCH B-T-B CONNECTOR IN TUBE	
APVD SF J FONG		SIZE A3	CAGE CODE 00779
PRODUCT SPEC 108-5390		DRAWING NO C-1735480	
APPLICATION SPEC 114-5254		SCALE 4:1	SHEET 1 OF 3
WEIGHT -		REV A2	
CUSTOMER DRAWING			

THIS DRAWING IS UNPUBLISHED. RELEASED FOR PUBLICATION .19 .
 © COPYRIGHT BY ALL RIGHTS RESERVED.

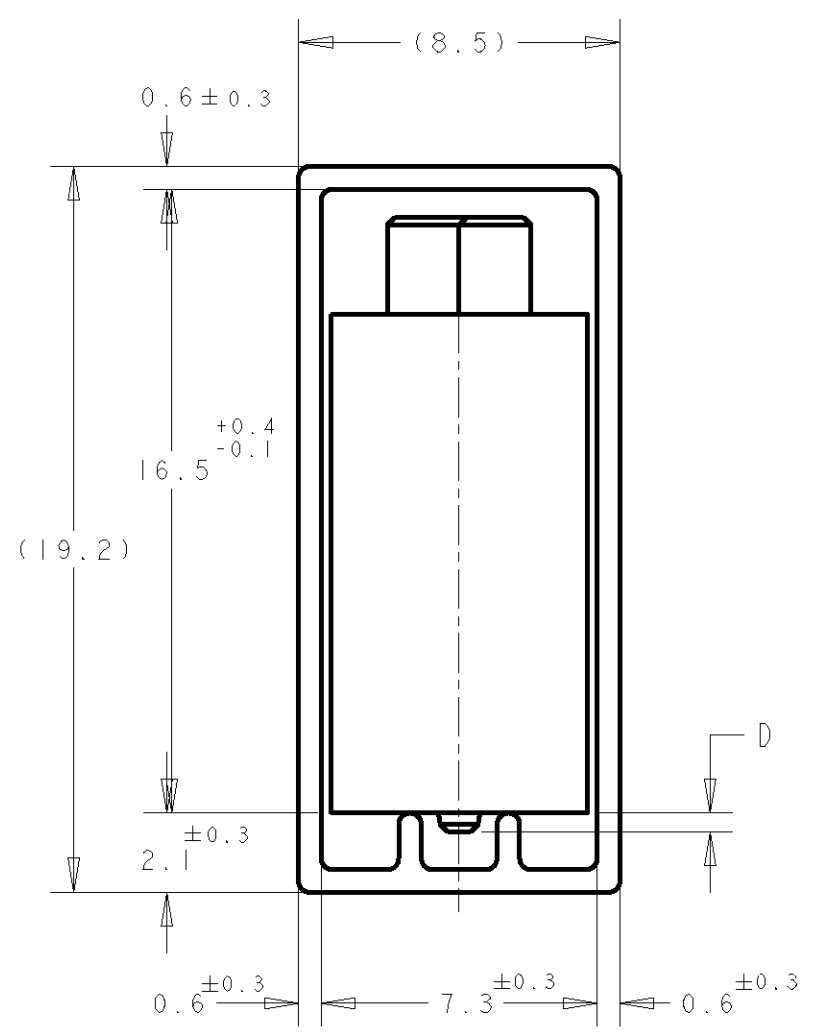
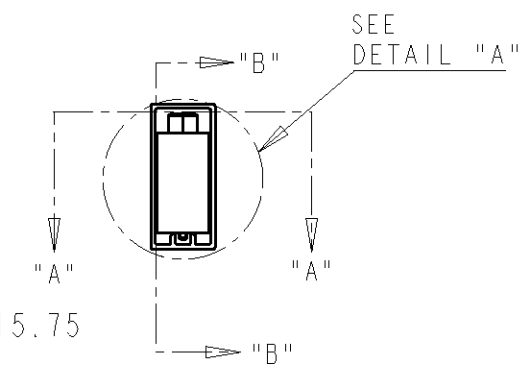
LOC	DIST	REVISIONS			
P	LTR	DESCRIPTION	DATE	DWN	APVD
DY	-	SEE SHEET 1			



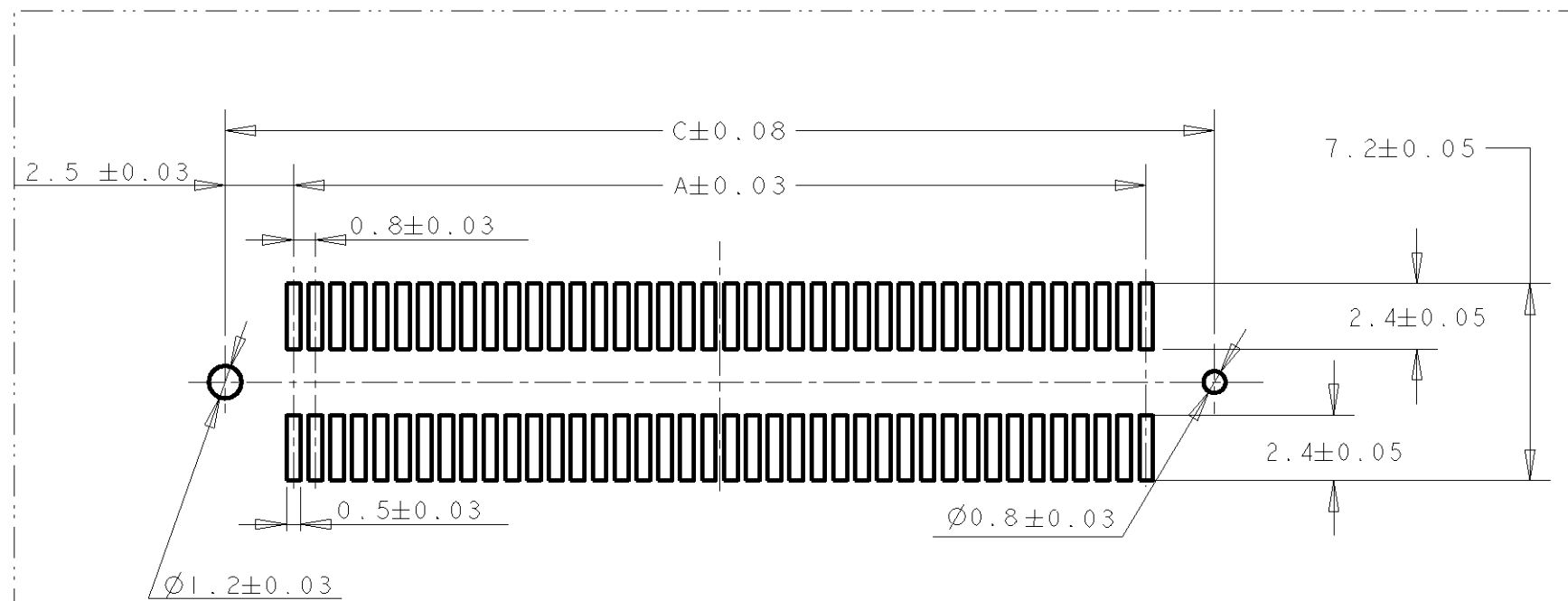
SECT "A" - "A"



SECT "B" - "B"



DETAIL "A"
(SCALE 5-1)



RECOMMENDED P.C. BOARD LAYOUT

DIMENSIONS: mm		TOLERANCES UNLESS OTHERWISE SPECIFIED:		DWN 10JUL2007 WYLEE		TE Connectivity	
		0 PLC ±- 1 PLC ±0.30 2 PLC ±0.25 3 PLC ±0.20 4 PLC ±- ANGLES ±3°		CHK YJ SEE			
MATERIAL		FINISH		APVD SF L FONG		RECEPTACLE 17mm HEIGHT	
				PRODUCT SPEC		FH 0.8mm PITCH B-T-B CONNECTOR	
				APPLICATION SPEC		IN TUBE	
				WEIGHT -		SIZE A3	CAGE CODE 00779
				CUSTOMER DRAWING		DRAWING NO C-1735480	SCALE 4:1
						SHEET 2 OF 3	REV A2

THIS DRAWING IS UNPUBLISHED. RELEASED FOR PUBLICATION .19 .
 © COPYRIGHT - BY - ALL RIGHTS RESERVED.

LOC	DIST	REVISIONS					
DY	-	P	LTR	DESCRIPTION	DATE	DWN	APVD
				SEE SHEET 1			

AVAILABLE (0.5mm BOSS LENGTH)	30 u" Au - Sn 3	84.20	85.80	79.20	200	8-	-0	
		76.20	77.80	71.20	180	7-	-9	
		68.20	69.80	63.20	160	7-	-8	
		64.20	65.80	59.20	150	7-	-7	
		60.20	61.80	55.20	140	7-	-6	
		52.20	53.80	47.20	120	7-	-5	
		44.20	45.80	39.20	100	7-	-4	
		36.20	37.80	31.20	80	7-	-3	
	28.20	29.80	23.20	60	7-	-2		
	20.20	21.80	15.20	40	7-	-1		
	<hr/>							
	NOT AVAILABLE (0.8mm BOSS LENGTH)	08 u" Au - Sn 2	84.20	85.80	79.20	200	6-	-0
			76.20	77.80	71.20	180	5-	-9
			68.20	69.80	63.20	160	5-	-8
			64.20	65.80	59.20	150	5-	-7
			60.20	61.80	55.20	140	5-	-6
52.20			53.80	47.20	120	5-	-5	
44.20			45.80	39.20	100	5-	-4	
36.20			37.80	31.20	80	5-	-3	
28.20		29.80	23.20	60	5-	-2		
0.5		20.20	21.80	15.20	40	5-	-1	
<hr/>								
NOT AVAILABLE (0.8mm BOSS LENGTH)		30 u" Au - Sn 3	84.20	85.80	79.20	200	3-	-0
			76.20	77.80	71.20	180	2-	-9
			68.20	69.80	63.20	160	2-	-8
			64.20	65.80	59.20	150	2-	-7
			60.20	61.80	55.20	140	2-	-6
	52.20		53.80	47.20	120	2-	-5	
	44.20		45.80	39.20	100	2-	-4	
	36.20		37.80	31.20	80	2-	-3	
	28.20	29.80	23.20	60	2-	-2		
	20.20	21.80	15.20	40	2-	-1		
	<hr/>							
	NOT AVAILABLE (0.8mm BOSS LENGTH)	08 u" Au - Sn 2	84.20	85.80	79.20	200	1-	-0
			76.20	77.80	71.20	180		-9
			68.20	69.80	63.20	160		-8
			64.20	65.80	59.20	150		-7
			60.20	61.80	55.20	140		-6
52.20			53.80	47.20	120		-5	
44.20			45.80	39.20	100		-4	
36.20			37.80	31.20	80		-3	
28.20		29.80	23.20	60		-2		
0.8		20.20	21.80	15.20	40		-1	

NOTES:

1 MATERIAL: HOUSING: L.C.P. (HIGH TEMP THERMO-PLASTIC)
 UL 94V-0, NATURAL.
 CONTACT: COPPER ALLOY

2 FINISH:
 ENGAGEMENT AREA: 0.0002 MIN GOLD
 SOLDERING AREA: 0.002 MIN MATTE TIN
 UNDERCOAT: 0.0013 MIN NICKEL ALL OVER.

3 FINISH:
 ENGAGEMENT AREA: 0.00076 MIN GOLD
 SOLDERING AREA: 0.002 MIN MATTE TIN
 UNDERCOAT: 0.0013 MIN NICKEL ALL OVER.

4. SEE SERIES TABLE FOR PART NUMBERS

5. CONNECTOR MATED STACKED HEIGHT IS COMBINATION OF
 PLUG HEIGHT "Y" AND REC HEIGHT "X", LESS 5 mm.

STACKED HEIGHT = Y + X - 5

DIMENSIONS: mm		TOLERANCES UNLESS OTHERWISE SPECIFIED:		DWN WYLEE 10JUL2007	STE TE Connectivity	
		0 PLC ±-	1 PLC ±0.30	CHK YJ SEE		
MATERIAL		FINISH		APVD SF J FONG	NAME RECEPTACLE 17mm HEIGHT FH 0.8mm PITCH B-T-B CONNECTOR IN TUBE	
				PRODUCT SPEC SEE SHEET 1	DRAWING NO 1735480	
				APPLICATION SPEC SEE SHEET 1	SIZE A3	CAGE CODE 00779
				WEIGHT -	SCALE 4:1 SHEET 3 OF 3 REV A2	
CUSTOMER DRAWING						

X-ON Electronics

Largest Supplier of Electrical and Electronic Components

Click to view similar products for [Board to Board & Mezzanine Connectors](#) category:

Click to view products by [TE Connectivity](#) manufacturer:

Other Similar products are found below :

[10135583-642402LF](#) [89885-310LF](#) [589158040000018](#) [6-1393048-0](#) [68683-613](#) [MDF7-12DP-2.54DSA](#) [MDF7-18P-2.54DSA\(01\)](#) [MDF7-20DP-2.54DSA](#) [MDF7-26D-2.54DSA\(55\)](#) [MDF7-3P-2.54DSA\(01\)](#) [MDF7B-20P-2.54DSA\(01\)](#) [MDF7B-3P-2.54DSA\(55\)](#) [MDF7C-18P-2.54DSA\(55\)](#) [MDF7P-5P-2.54DSA\(55\)](#) [75234-0516](#) [FCN-230C068-11](#) [FCN-268F012-G/BD](#) [FCN-268F036-G/BD](#) [FCN-268M012-G/0D](#) [FCN-268M024-G/1D](#) [FCN-360C008-C](#) [FCN-723J004/1](#) [MIS-048-01-F-D-DP-K](#) [832-10-034-10-001000](#) [93696-325LF](#) [11828-1FA](#) [AXK630345P](#) [18097-0013](#) [2007042-2](#) [304400-2](#) [FCN-214Q030-G/0](#) [FCN-215Q040-G/0](#) [FCN-230C068-ESA](#) [FCN-234P048-G/0](#) [FCN-235D050-G/C](#) [FCN-360A3](#) [FCN-360C040-B](#) [210-93-314-41-105000](#) [2-22603-0](#) [379-064-521-202](#) [MDF7-12P-2.54DSA\(01\)](#) [MDF7-16P-2.54DS\(56\)](#) [MDF7-16P-2.54DSA\(55\)](#) [MDF7-40DP-2.54DSA\(55\)](#) [MDF7-8P-2.54DSA\(55\)](#) [AXG720047](#) [5031084030](#) [55323-1519](#) [DF33-2P-3.3DSA\(24\)](#) [DF33-2S-3.3C](#)