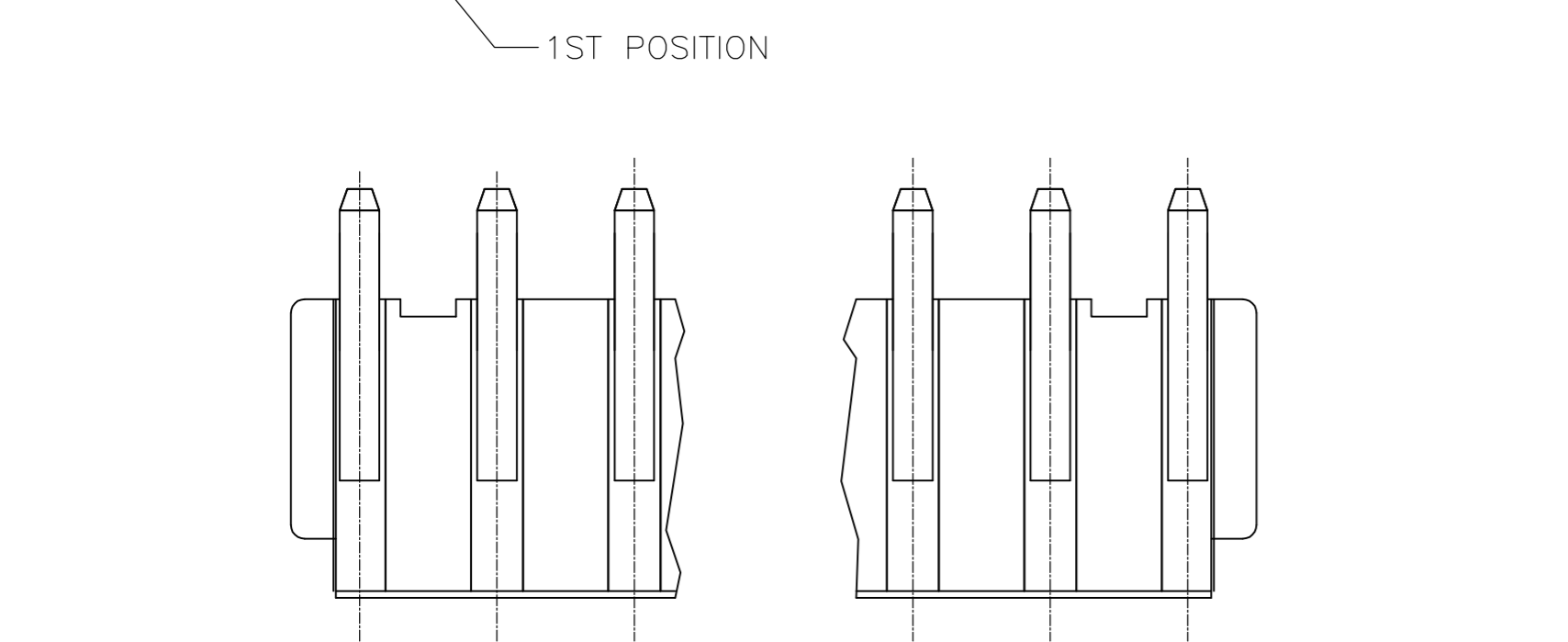
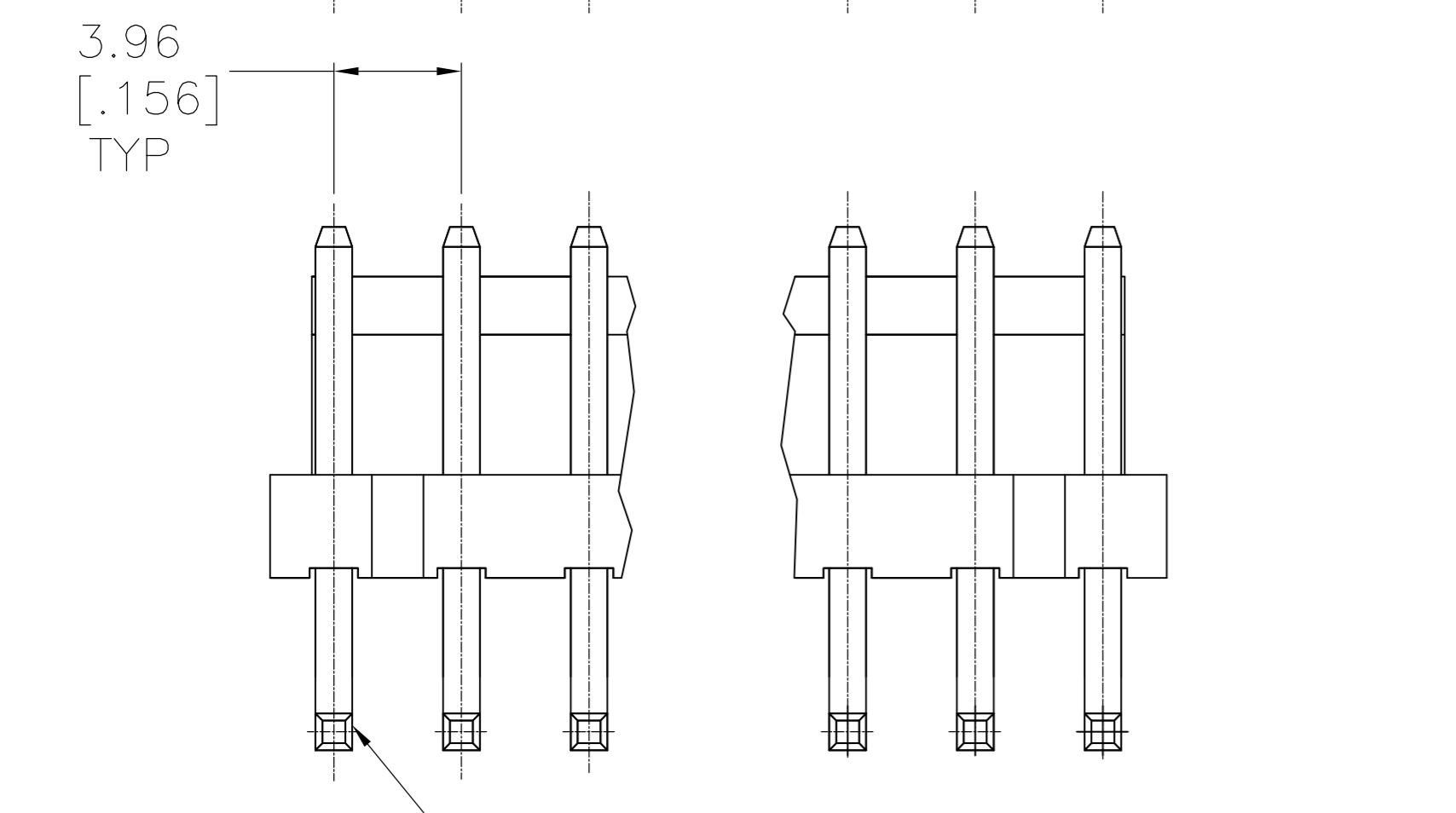
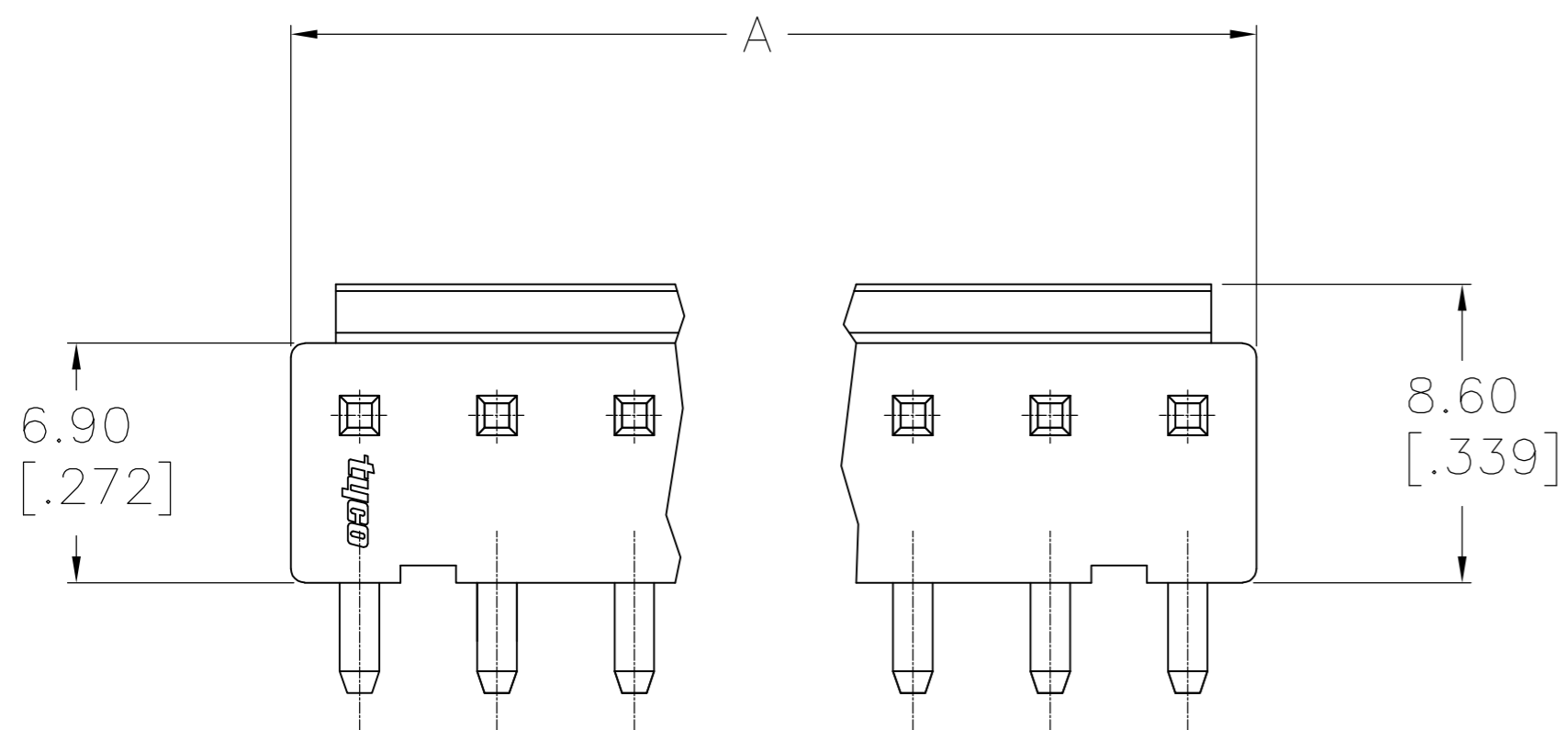
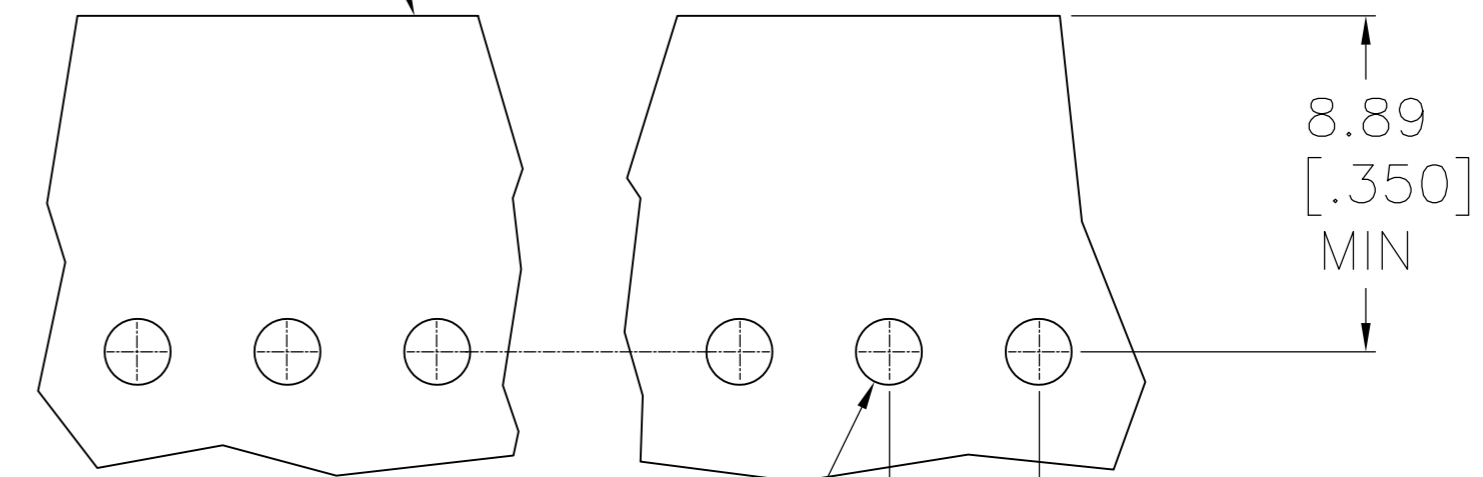


THIS DRAWING IS UNPUBLISHED. RELEASED FOR PUBLICATION
 © COPYRIGHT BY TYCO ELECTRONICS CORPORATION. ALL INTERNATIONAL RIGHTS RESERVED.

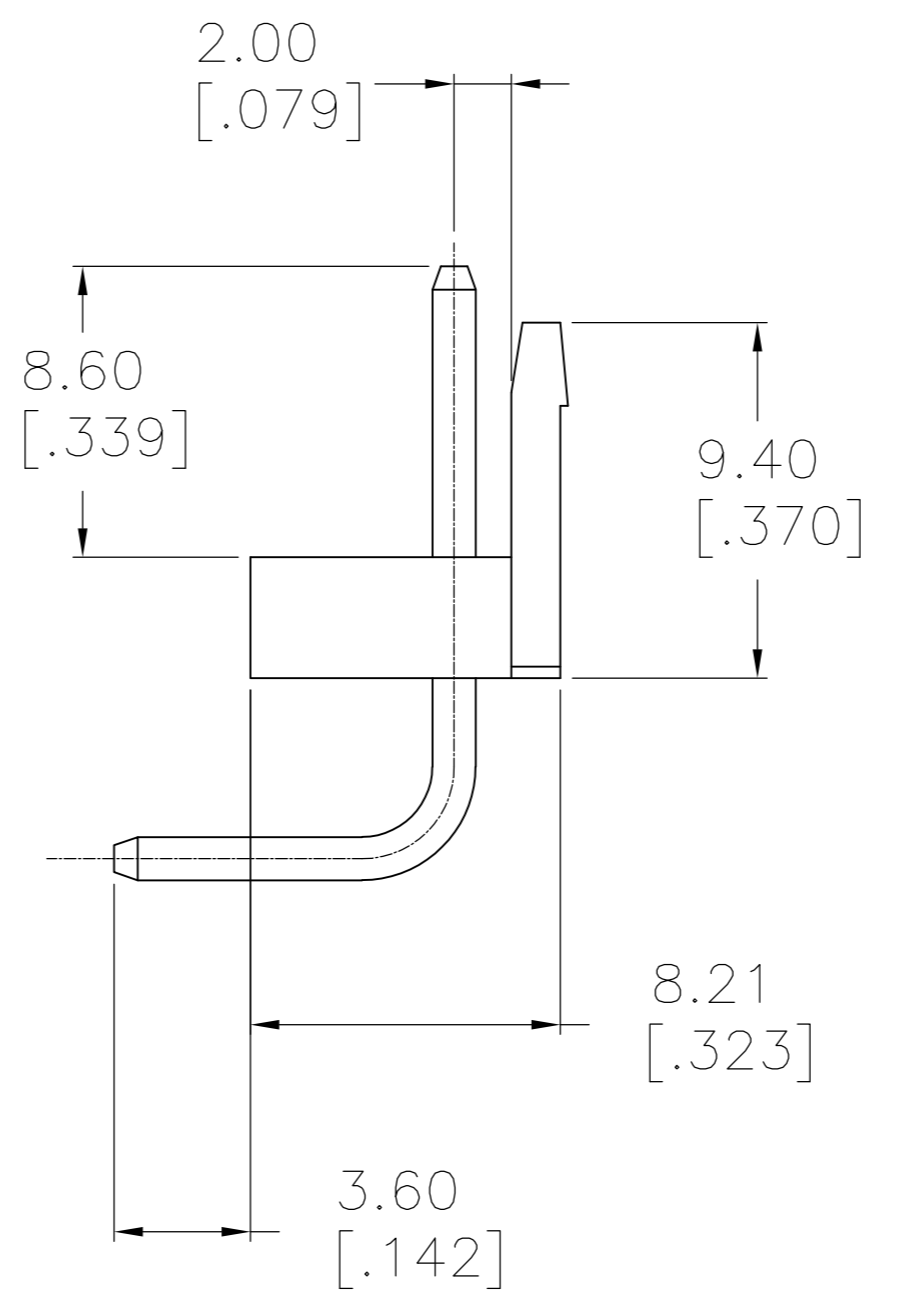
LOC		DIST		REVISIONS			
P	LTR	DESCRIPTION		DATE	DWN	APVD	
GP	00	D		REVISED PER ECO-09-017647	29OCT2009	CR	CR



EDGE OF BOARD



$\phi 1.75$
 $\phi 1.65$
 $\phi .069$
 $\phi .065$



- 1 HOUSING MATERIAL: LCP, 20% GLASS FILLED
COLOR: BLACK
- 2 CONTACT MATERIAL: BRASS
- 3 CONTACT PLATING: 0.003[.000120] MIN TIN OVER
0.001[.000039] MIN NICKEL.
- 4 RATED FOR USE WITH IR REFLOW SOLDER PROCESSING
UP TO 280°C FOR 10 SECONDS MAX.
- 5 PACKAGED ON TAPE AND REEL.

5	2	7.92	[.312]	8-1744056-2
	12	47.52	[1.871]	1-1744056-2
	11	43.56	[1.715]	1-1744056-1
	10	39.60	[1.559]	1-1744056-0
	9	35.64	[1.403]	1744056-9
	8	31.68	[1.247]	1744056-8
	7	27.72	[1.091]	1744056-7
	6	23.76	[.935]	1744056-6
	5	19.80	[.780]	1744056-5
	4	15.84	[.624]	1744056-4
	3	11.88	[.468]	1744056-3
	2	7.92	[.312]	1744056-2
	NUMBER OF POSITIONS	mm	[IN]	PART NUMBER
		DIM A ±0.30		

THIS DRAWING IS A CONTROLLED DOCUMENT.

DWN	S. HOOVER	01APR04	Tyco Electronics Corporation Harrisburg, PA 17105-3608
CHK	J. ELLIS	01APR04	
APVD	J. ELLIS	01APR04	
PRODUCT SPEC			
MATERIAL	SEE NOTES		NAME
			HEADER ASSEMBLY-ECONOMY POWER RIGHT ANGLE, HIGH TEMPERATURE
			SIZE
			CAGE CODE 00779 DRAWING NO C=1744056 RESTRICTED TO -
			WEIGHT
			CUSTOMER DRAWING SCALE 5:1 SHEET 1 of 1 REV D

X-ON Electronics

Largest Supplier of Electrical and Electronic Components

Click to view similar products for [Headers & Wire Housings](#) category:

Click to view products by [TE Connectivity](#) manufacturer:

Other Similar products are found below :

[892-18-020-10-001101](#) [58102-G61-06LF](#) [582553-1](#) [0009485154](#) [009176003701906](#) [0050291907](#) [LY20-4P-DT1-P1E-BR](#) [02.125.8002.8](#)
[609-3404](#) [61062-3](#) [61082-181009](#) [622-3653LF](#) [63453-116](#) [636-1030](#) [636-1427](#) [636-3427](#) [636-4007](#) [641938-9](#) [641991-4](#) [644827-2](#) [65817-](#)
[010LF](#) [65817-015LF](#) [65863-015LF](#) [66207-023LF](#) [67095-007LF](#) [67601157](#) [68645-018](#) [68648-049](#) [70.362.1628.0](#) [70-4210](#) [70-4226B](#) [70-](#)
[4853B](#) [707-5020](#) [707-5028](#) [71.350.2428.0](#) [71918-208LF](#) [71961-016LF](#) [733-134](#) [733-162](#) [754199-000](#) [760-3052](#) [787-8014-00](#) [79531-3000](#)
[FCN-360C032-B](#) [FCN-367T-T012/H](#) [FCN-723D010/2](#) [80.063.4001.1](#) [800-90-001-10-001000](#) [800-90-010-10-002000](#) [801-43-002-10-013000](#)