
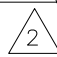


LOC J	DIST	REVISIONS					
		P	LTR	DESCRIPTION	DATE	DWN	APVD
			F1	REVISED PER ECR-15-018167	14JAN2016	IT	W.H

OBSOLETE	塩ビケース詰 1.25 F-P コネクタ (基板対基板接続用) 2列仕様 ポスト ヘッダー アッセンブリ サーフェイスマウント タイプ 基板位置決め用ボス付 壁補強型 TUBE PACKAGING 1.25 F-P CONNECTOR (B-TO-B) DOUBLE ROW POST HDR ASS'Y SMT TYPE WITH BOSS -IMPROVED TYPE		30	20	9-	-0	9-	-0
		720999-4	26	25	8-	-6	8-	-6
		2-912050-0	16	40	4- 	-6	4- 	-6
			30	20	3-	-0	3-	-0
			24	25	2-	-4	2-	-4
OBSOLETE		1-912050-7	22	30	2-176140-2	2-176314-2		
名称 NAME	塩ビケース 型番 TUBE P/N	極数 Pos.	数量 (ケ) QTY'S	コネクタ型番 (バラ状) CONN P/N (L/P)	塩ビケース詰 コネクタ型番 IN TUBE P/N			

注記

1. 包装規格 : 107-5123-2

NOTES

1. PACKAGING SPEC : 107-5123-2

 OBSOLETE PARTS: OBSOLETE CIS STREAMLINING PER D.RENAUD/D.SINISI

 OBSOLETE


RELEASED FOR PUBLICATION

ALL RIGHTS RESERVED.

By -

© COPYRIGHT

THIS DRAWING IS UNPUBLISHED.

DIMENSIONS: mm	DWN S.KANEKI	26JAN89	MATERIAL	FINISH		
	CHK J.TANIGAWA	27JAN89	 TE Connectivity			
TOLERANCES UNLESS OTHERWISE SPECIFIED:	APVD N.ONOUE	27JUL89			NAME TUBE PACKAGING 1.25 F-P CONNECTOR (B-TO-B) DOUBLE ROW POST HDR ASS'Y SMT TYPE WITH BOSS -IMPROVED TYPE	
0 PLC ±	PRODUCT SPEC		SIZE	CAGE CODE	DRAWING NO	RESTRICTED TO
1 PLC ±	APPLICATION SPEC		A4	00779	C-176314	-
2 PLC ±						
3 PLC ±						
4 PLC ±						
ANGLES ±	WEIGHT					
	CUSTOMER DRAWING		SCALE	SHEET	1 OF 1	REV F1

X-ON Electronics

Largest Supplier of Electrical and Electronic Components

Click to view similar products for [Board to Board & Mezzanine Connectors](#) category:

Click to view products by [TE Connectivity](#) manufacturer:

Other Similar products are found below :

[10135583-642402LF](#) [89885-310LF](#) [589158040000018](#) [6-1393048-0](#) [68683-613](#) [MDF7-12DP-2.54DSA](#) [MDF7-18P-2.54DSA\(01\)](#) [MDF7-20DP-2.54DSA](#) [MDF7-26D-2.54DSA\(55\)](#) [MDF7-3P-2.54DSA\(01\)](#) [MDF7B-20P-2.54DSA\(01\)](#) [MDF7B-3P-2.54DSA\(55\)](#) [MDF7C-18P-2.54DSA\(55\)](#) [MDF7P-5P-2.54DSA\(55\)](#) [75234-0516](#) [FCN-230C068-11](#) [FCN-268F012-G/BD](#) [FCN-268F036-G/BD](#) [FCN-268M012-G/0D](#) [FCN-268M024-G/1D](#) [FCN-360C008-C](#) [FCN-723J004/1](#) [MIS-048-01-F-D-DP-K](#) [832-10-034-10-001000](#) [93696-325LF](#) [11828-1FA](#) [AXK630345P](#) [18097-0013](#) [2007042-2](#) [304400-2](#) [FCN-214Q030-G/0](#) [FCN-215Q040-G/0](#) [FCN-230C068-ESA](#) [FCN-234P048-G/0](#) [FCN-235D050-G/C](#) [FCN-360A3](#) [FCN-360C040-B](#) [210-93-314-41-105000](#) [2-22603-0](#) [379-064-521-202](#) [MDF7-12P-2.54DSA\(01\)](#) [MDF7-16P-2.54DS\(56\)](#) [MDF7-16P-2.54DSA\(55\)](#) [MDF7-40DP-2.54DSA\(55\)](#) [MDF7-8P-2.54DSA\(55\)](#) [AXG720047](#) [5031084030](#) [55323-1519](#) [DF33-2P-3.3DSA\(24\)](#) [DF33-2S-3.3C](#)