

THIS DRAWING IS UNPUBLISHED.

RELEASED FOR PUBLICATION

© COPYRIGHT

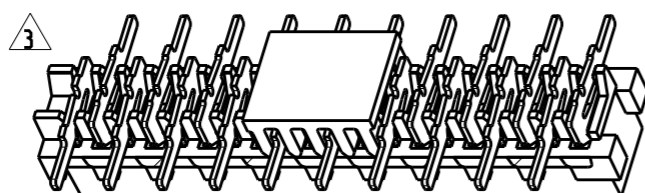
ALL RIGHTS RESERVED.

LOC  
H

DIST  
-

REVISIONS

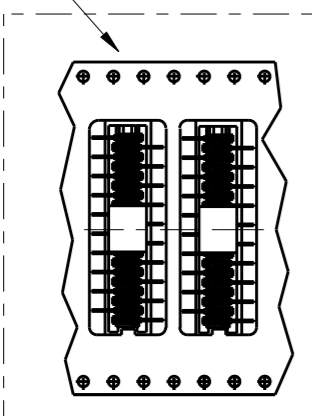
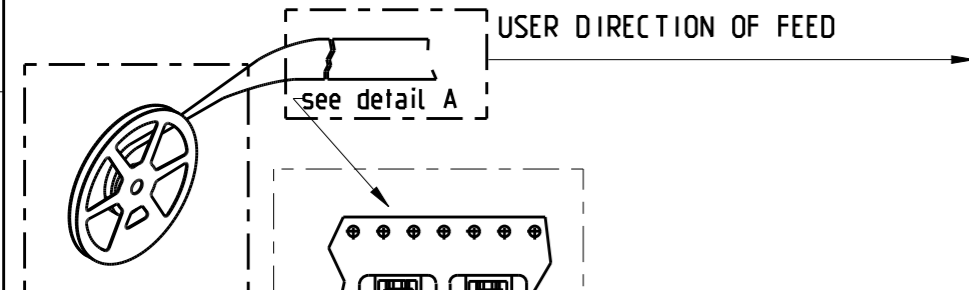
P	LTR	DESCRIPTION	DATE	DWN	APVD
F4	8-188431-6	ACTIVATED	20AUG2014	NV	JK



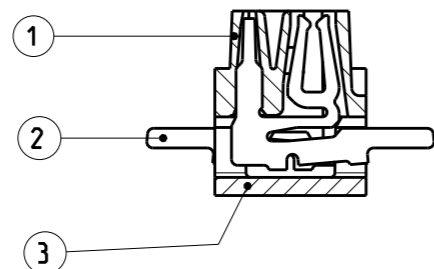
SCALE 3:1

PACKAGING/REELING DIRECTION

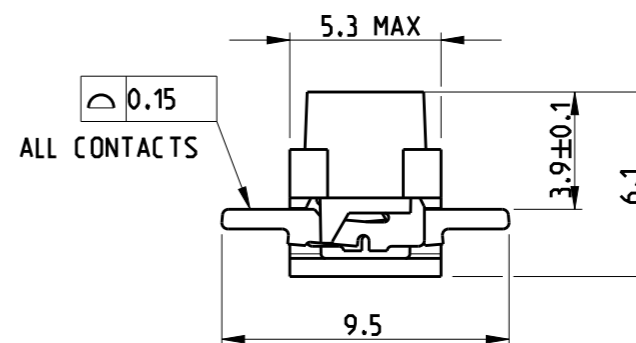
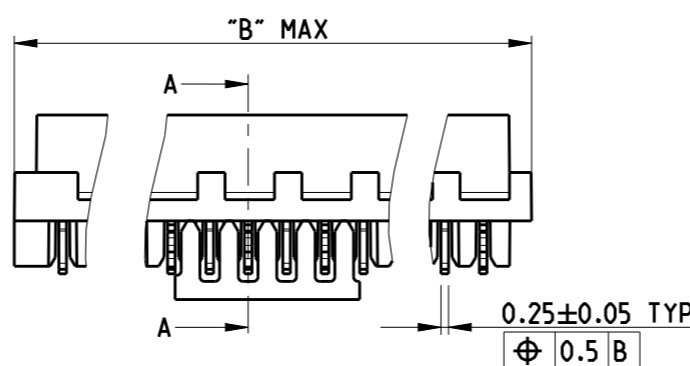
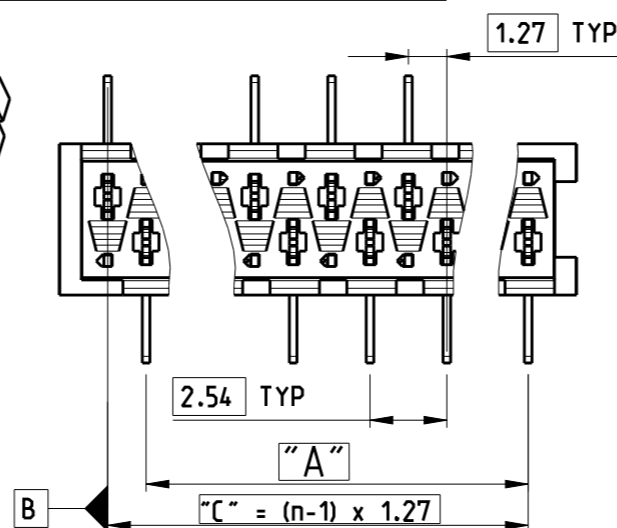
USER DIRECTION OF FEED



DETAIL A  
SCALE 1:1



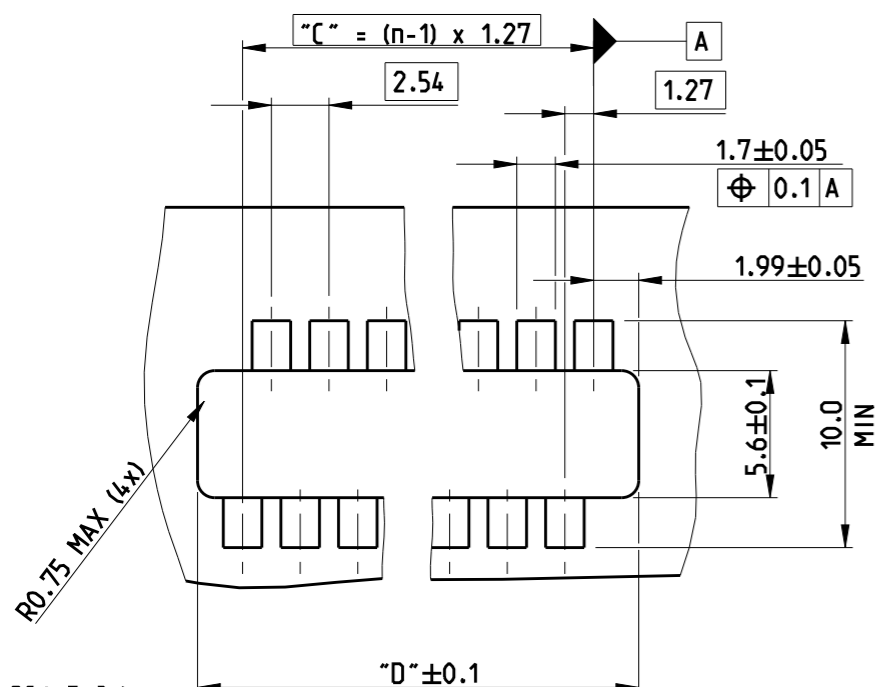
SECTION A-A



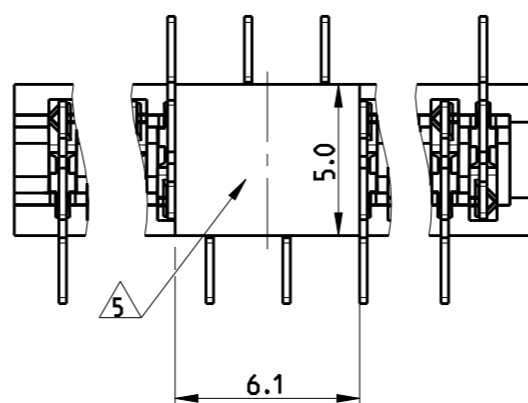
NOTES:

- 1 PACKAGING ACCORDING EIA-481/ DIN IEC 286
- 2 QUANTITY PER REEL 1200 PCS. REEL DIA. 380 MM
- 3 PN 9-188431-0 (20 POSITIONS) AS DRAWN.
- 4 3.0 - 5.0 µm TIN OVER 0.5µm NICKEL PLATING.
- 5 PICK & PLACE AREA.

RECOMMENDED PC-BOARD PAD LAYOUT



SCALE 3:1



REMARK	PARTNUMBER	POS	"A"	"B" MAX	"C"	"D"	TAPE WIDTH(mm)
TOOLED	7-188431-4	4	2.54	7.1	3.81	7.78	24
TOOLED	7-188431-6	6	5.08	9.7	6.35	10.32	24
TOOLED	7-188431-8	8	7.62	12.2	8.89	12.86	24
TOOLED	8-188431-0	10	10.16	14.7	11.43	15.4	24
NOT YET TOOLED	8-188431-2	12	12.7	17.3	13.97	17.94	32
TOOLED	8-188431-4	14	15.24	19.8	16.51	20.48	32
TOOLED	8-188431-6	16	17.78	22.4	19.05	23.02	44
NOT YET TOOLED	8-188431-8	18	20.32	24.9	21.59	25.56	44
TOOLED	9-188431-0	20	22.86	27.5	24.13	28.10	44

ITEM NO.	COMPONENT DESCRIPTION	MATERIAL	FINISH
3	PICK & PLACE FEATURE	G.F POLYAMIDE. COLOR:BLACK	
2	FEMALE CONTACT	PHOSPHOR BRONZE	4
1	FEMALE HOUSING	G.F POLYAMIDE. COLOR:RED	

THIS DRAWING IS A CONTROLLED DOCUMENT.

DIMENSIONS:	TOLERANCES UNLESS OTHERWISE SPECIFIED:
mm	
0 PLC	± -
1 PLC	± 0.2
2 PLC	± -
3 PLC	± -
4 PLC	± -
ANGLES	± -
MATERIAL	FINISH
SEE TABLE	SEE TABLE

DWN	M.Gosselink	25/09/00
CHK	M.Gosselink	-
APVD	-	-
PRODUCT SPEC	108-19052	
APPLICATION SPEC	114-13318	
WEIGHT	-	

**STE** TE Connectivity

NAME  
MICRO MATCH, FEMALE BOTTOM ENTRY  
SMD INBOARD CONNECTOR

SIZE	CAGE CODE	DRAWING NO	RESTRICTED TO
A3	C-	188431	

CUSTOMER DRAWING SCALE 4:1 SHEET 1 OF 1 REV F4

## X-ON Electronics

Largest Supplier of Electrical and Electronic Components

*Click to view similar products for [Headers & Wire Housings](#) category:*

*Click to view products by [TE Connectivity](#) manufacturer:*

Other Similar products are found below :

[892-18-020-10-001101](#) [58102-G61-06LF](#) [582553-1](#) [0009485154](#) [009176003701906](#) [0050291907](#) [LY20-4P-DT1-P1E-BR](#) [02.125.8002.8](#)  
[609-3404](#) [61062-3](#) [61082-181009](#) [622-3653LF](#) [63453-116](#) [636-1030](#) [636-1427](#) [636-3427](#) [636-4007](#) [641938-9](#) [641991-4](#) [644827-2](#) [65817-010LF](#) [65817-015LF](#) [65863-015LF](#) [66207-023LF](#) [67095-007LF](#) [67601157](#) [68645-018](#) [68648-049](#) [70.362.1628.0](#) [70-4210](#) [70-4226B](#) [70-4853B](#) [707-5020](#) [707-5028](#) [71.350.2428.0](#) [71918-208LF](#) [71961-016LF](#) [733-134](#) [733-162](#) [754199-000](#) [760-3052](#) [787-8014-00](#) [79531-3000](#)  
[FCN-360C032-B](#) [FCN-367T-T012/H](#) [FCN-723D010/2](#) [80.063.4001.1](#) [800-90-001-10-001000](#) [800-90-010-10-002000](#) [801-43-002-10-013000](#)