

THIS DRAWING IS UNPUBLISHED.

RELEASED FOR PUBLICATION

© COPYRIGHT

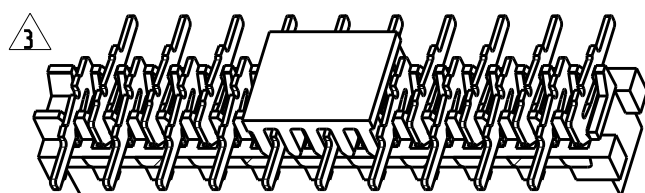
ALL RIGHTS RESERVED.

LOC
H

DIST
-

REVISIONS

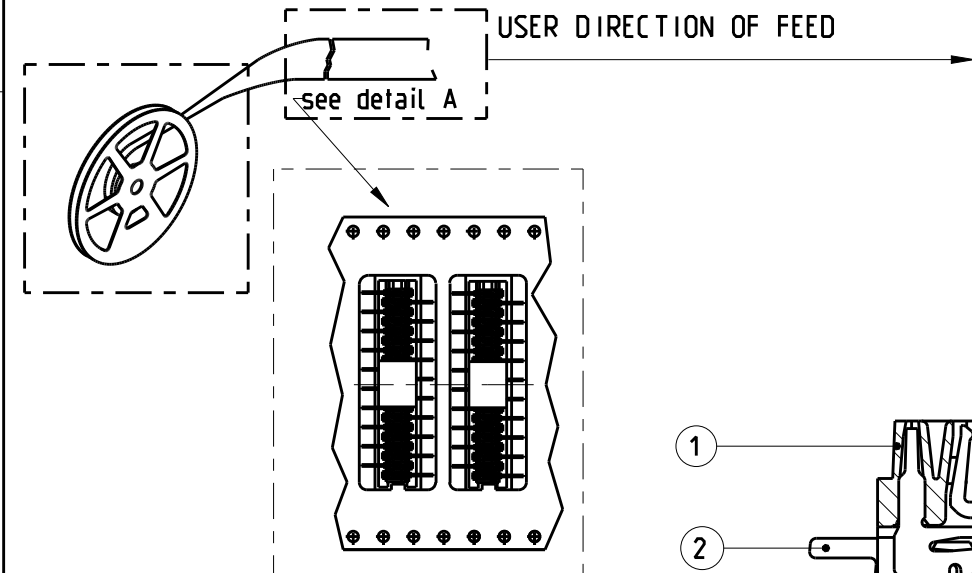
| P | LTR | DESCRIPTION | DATE | DWN | APVD |
|----|------------|-------------|-----------|-----|------|
| F4 | 8-188431-6 | ACTIVATED | 20AUG2014 | NV | JK |



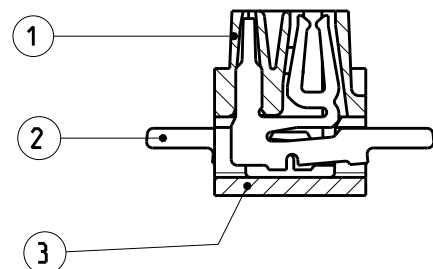
SCALE 3:1

PACKAGING/REELING DIRECTION

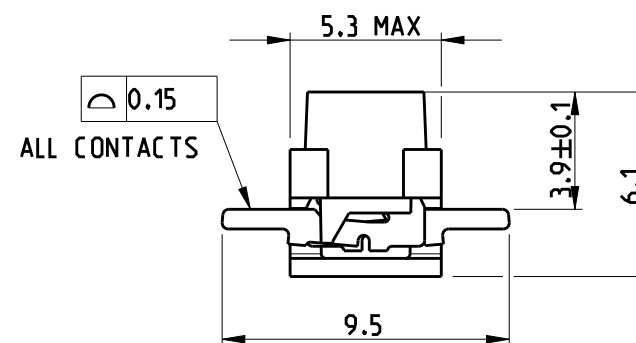
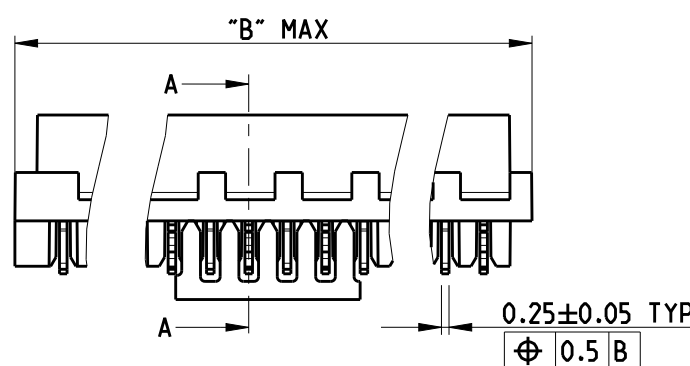
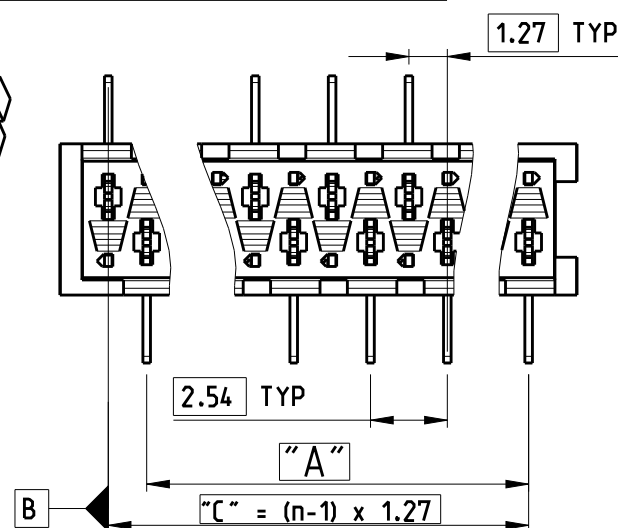
USER DIRECTION OF FEED



DETAIL A
SCALE 1:1



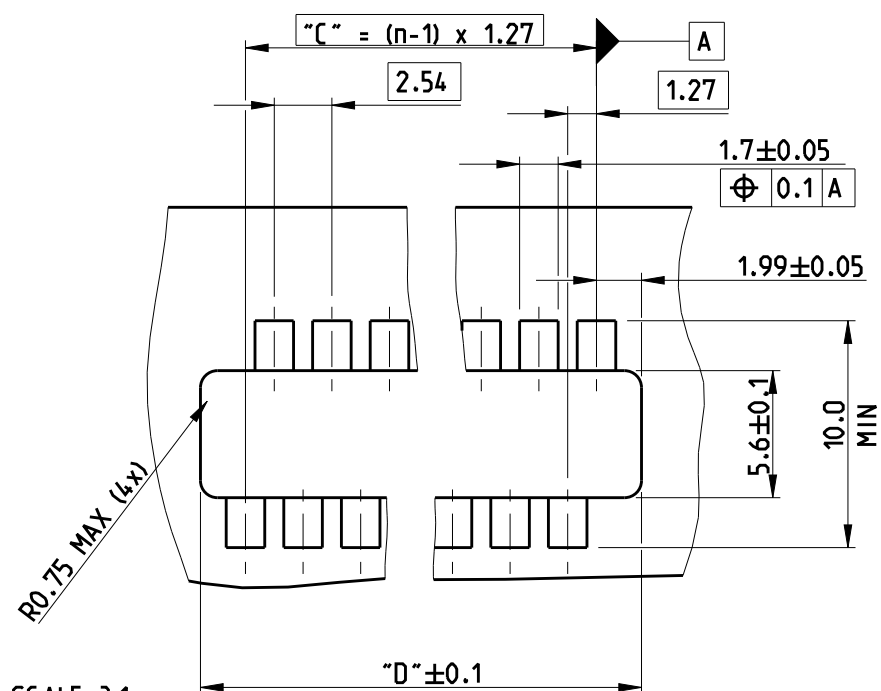
SECTION A-A



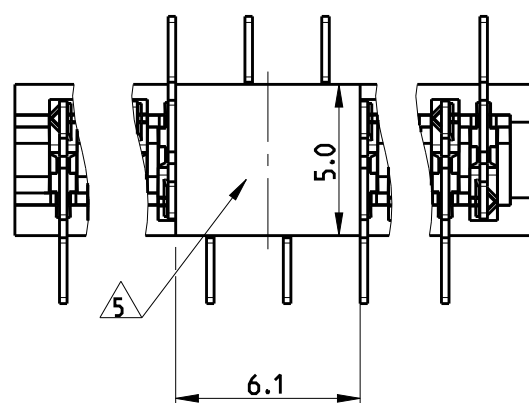
NOTES:

- 1 PACKAGING ACCORDING EIA-481/ DIN IEC 286
- 2 QUANTITY PER REEL 1200 PCS. REEL DIA. 380 MM
- 3 PN 9-188431-0 (20 POSITIONS) AS DRAWN.
- 4 3.0 - 5.0 µm TIN OVER 0.5µm NICKEL PLATING.
- 5 PICK & PLACE AREA.

RECOMMENDED PC-BOARD PAD LAYOUT



SCALE 3:1



| REMARK | PARTNUMBER | POS | "A" | "B" MAX | "C" | "D" | TAPE WIDTH(mm) |
|----------------|------------|-----|-------|---------|-------|-------|----------------|
| TOOLED | 7-188431-4 | 4 | 2.54 | 7.1 | 3.81 | 7.78 | 24 |
| TOOLED | 7-188431-6 | 6 | 5.08 | 9.7 | 6.35 | 10.32 | 24 |
| TOOLED | 7-188431-8 | 8 | 7.62 | 12.2 | 8.89 | 12.86 | 24 |
| TOOLED | 8-188431-0 | 10 | 10.16 | 14.7 | 11.43 | 15.4 | 24 |
| NOT YET TOOLED | 8-188431-2 | 12 | 12.7 | 17.3 | 13.97 | 17.94 | 32 |
| TOOLED | 8-188431-4 | 14 | 15.24 | 19.8 | 16.51 | 20.48 | 32 |
| TOOLED | 8-188431-6 | 16 | 17.78 | 22.4 | 19.05 | 23.02 | 44 |
| NOT YET TOOLED | 8-188431-8 | 18 | 20.32 | 24.9 | 21.59 | 25.56 | 44 |
| TOOLED | 9-188431-0 | 20 | 22.86 | 27.5 | 24.13 | 28.10 | 44 |

| ITEM NO. | COMPONENT DESCRIPTION | MATERIAL | FINISH |
|----------|-----------------------|----------------------------|--------|
| 3 | PICK & PLACE FEATURE | G.F POLYAMIDE. COLOR:BLACK | |
| 2 | FEMALE CONTACT | PHOSPHOR BRONZE | 4 |
| 1 | FEMALE HOUSING | G.F POLYAMIDE. COLOR:RED | |

THIS DRAWING IS A CONTROLLED DOCUMENT.

| DIMENSIONS: | TOLERANCES UNLESS OTHERWISE SPECIFIED: |
|-------------|--|
| mm | |
| 0 PLC | ± - |
| 1 PLC | ± 0.2 |
| 2 PLC | ± - |
| 3 PLC | ± - |
| 4 PLC | ± - |
| ANGLES | ± - |
| FINISH | SEE TABLE |

MATERIAL SEE TABLE

| DWN | CHK | APVD | PRODUCT SPEC | APPLICATION SPEC | WEIGHT |
|-------------|-----|------|--------------|------------------|--------|
| M.Gosselink | - | - | 108-19052 | 114-13318 | - |

FINISH SEE TABLE

25/09/00
M.Gosselink
M.Gosselink
108-19052
114-13318
-

TE Connectivity

MICRO MATCH, FEMALE BOTTOM ENTRY SMD INBOARD CONNECTOR

| SIZE | CAGE CODE | DRAWING NO | RESTRICTED TO |
|------|-----------|------------|---------------|
| A3 | C- | 188431 | |

CUSTOMER DRAWING SCALE 4:1 SHEET 1 OF 1 REV F4

X-ON Electronics

Largest Supplier of Electrical and Electronic Components

Click to view similar products for [Headers & Wire Housings](#) category:

Click to view products by [TE Connectivity](#) manufacturer:

Other Similar products are found below :

[892-18-020-10-001101](#) [58102-G61-06LF](#) [582553-1](#) [0009485154](#) [009176003701906](#) [0050291907](#) [LY20-4P-DT1-P1E-BR](#) [02.125.8002.8](#)
[609-3404](#) [61062-3](#) [61082-181009](#) [622-3653LF](#) [63453-116](#) [636-1030](#) [636-1427](#) [636-3427](#) [636-4007](#) [641938-9](#) [641991-4](#) [644827-2](#) [65817-](#)
[010LF](#) [65817-015LF](#) [65863-015LF](#) [66207-023LF](#) [67095-007LF](#) [67601157](#) [68645-018](#) [68648-049](#) [70.362.1628.0](#) [70-4210](#) [70-4226B](#) [70-](#)
[4853B](#) [707-5020](#) [707-5028](#) [71.350.2428.0](#) [71918-208LF](#) [71961-016LF](#) [733-134](#) [733-162](#) [754199-000](#) [760-3052](#) [79531-3000](#) [FCN-](#)
[360C032-B](#) [FCN-367T-T012/H](#) [FCN-723D010/2](#) [80.063.4001.1](#) [800-90-010-10-002000](#) [801-43-002-10-013000](#) [801-43-006-10-002000](#)
[801-93-011-10-001000](#)