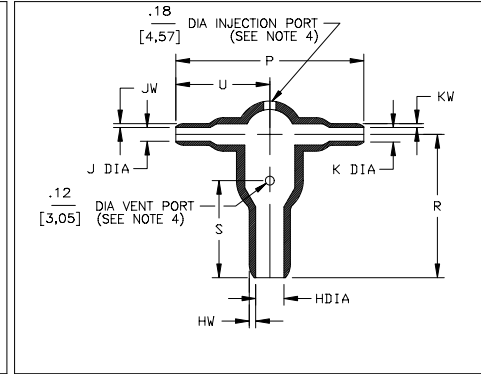
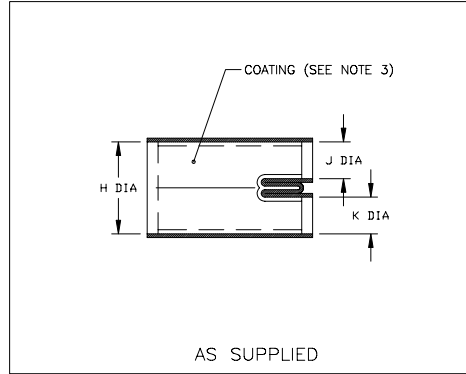


Molded Parts Specification Control Drawing

Part Number : 302A012 thru 037
Description : Transition, T

NOTES

- All dimensions are in $\frac{\text{inches}}{\text{[millimeters]}}$
- Dimensions appearing in table are as follows:
 - a - As Supplied
 - b - After Unrestricted Recovery
- Coating is optional. As supplied dimensions appearing in table are for uncoated parts. When coating is added, entry diameters will be reduced by .06 max.
- Molding parts are optional. When -00 modification number is specified molding ports will be located as shown.



| PART NUMBER | H | | J & K | | P | R | S | U | HW | JW & KW | C* |
|-------------|----------------|----------------|----------------|---------------|-----------------|-----------------|----------------|----------------|--------------|--------------|-----|
| | Min | Max | Min | Max | ±10% | ±10% | ±10% | ±10% | ±20% | ±20% | ±5° |
| | a | b | a | b | b | b | b | b | b | b | b |
| 302A012 | .52 [13,2] | .24 [6,1] | .26 [6,6] | .12 [3,0] | 1.41 [35,8] | 1.04 [26,4] | .72 [18,3] | .70 [17,8] | .06 [1,5] | .04 [1,0] | 90° |
| 302A024 | 1.06 [26,9] | .49 [12,4] | .52 [13,2] | .24 [6,1] | 2.64 [67,1] | 2.14 [54,4] | 1.32 [33,5] | 1.32 [33,5] | .10 [2,5] | .06 [1,5] | 90° |
| 302A037 | 2.19 [55,6] | 1.00 [25,4] | 1.06 [26,9] | .49 [12,4] | 5.73 [145,5] | 4.44 [112,8] | 3.10 [78,7] | 2.86 [72,6] | .18 [4,6] | .10 [2,5] | 90° |

tyco/Electronics/**Raychem**
TYCO ELECTRONICS
307 CONSTITUTION DRIVE
MENLO PARK, CALIFORNIA 94025

Revision : L
Date : 11/2/01

Part Number : 302A012 thru 037
Description : Transition, T

Molded Parts Specification Control Drawing

Part Number : 302A012 thru 037
Description : Transition, T

| MATERIAL DASH NO. | MATERIAL DESCRIPTION | RT SPEC | COATING SLASH NO. | COATING S NO. | COATING DESCRIPTION |
|-------------------|---|---------|-------------------|---------------|---------------------|
| -3 | Polyolefin, Semi-rigid | RT-301 | /42;/86 | S-1017;S-1048 | Adhesive |
| -4 | Polyolefin, Flexible | RT-1304 | /42;/86 | S-1017;S-1048 | Adhesive |
| -5 | Elastomer, Flexible | RT-501 | N/A | | |
| -6 | Silicone | RT-602 | N/A | | |
| -12 | *VITON, Flexible | RT-1312 | N/A | | |
| -25 | Elastomer, Fluid Resistant | RT-1325 | /86;/225 | S-1048;S-1206 | Adhesive |
| -52 | Polyolefin, Nuclear | RT-1508 | N/A | | |
| -100 | Polyolefin, Semi-Flexible ZEROHAL TM | RT-1323 | /86 | S-1048 | Adhesive |

*VITON is a Registered Trademark of Dupont

ORDERING INFORMATION

Base part number 302A0XX -XX -XX /XXX -0

Material dash number (See Compatibility Chart)

Modification number (If necessary, see front of scd binder for a complete list)

Adhesive slash number (If necessary, see Compatibility Chart)

Color designator

THIS DRAWING IS SUBJECT TO CHANGE WITHOUT NOTICE; CONSULT YOUR NEAREST FIELD REPRESENTATIVE FOR CURRENT REVISION

tyco/Electronics/**Raychem**
TYCO ELECTRONICS
307 CONSTITUTION DRIVE
MENLO PARK, CALIFORNIA 94025

Revision : L
Date : 11/2/01

Part Number : 302A012 thru 037
Description : Transition, T

CAD FILE MP01103

SUPERSEDED
NOT the LATEST REVISION

X-ON Electronics

Largest Supplier of Electrical and Electronic Components

Click to view similar products for [Heat Shrink Tubing and Sleeves](#) category:

Click to view products by [TE Connectivity](#) manufacturer:

Other Similar products are found below :

[770-006S102](#) [5685710001](#) [CR8248-000](#) [CR9960-000](#) [603312-4](#) [607381P039](#) [611112-000](#) [617867N001](#) [6500750004](#) [CZ1420-000](#) [D-306-38](#)
[770-007A303](#) [770-010Y106W1](#) [770-010Y706W1](#) [7771210001](#) [MFP-1/4"-Clear](#) [MFP-3/64"-Clear](#) [790-3012](#) [MFT-MT2000-NO.14-0-SP](#)
[MHHT-4-15K2-G-104](#) [MIL-LT-1-1/2-4-SP](#) [MIL-LT-1-1/2-9-STK](#) [MIL-LT-1/2-2-STK](#) [MIL-LT-3-0-SP](#) [MIL-LT-3/32-0-SP](#) [MIL-LT-3/32-6-SP](#) [MIL-LT-3/4-6-SP](#) [MIL-LT-3/8-0-SP](#) [8159270001](#) [839602-000](#) [8423-6](#) [FP301-116-6"-Black](#) [FP301-1/2-48"-Black](#) [FP301-12-48"-Black-Hdr](#) [FP301-1/4-48"-Black](#) [FP301-1/4-48"-White-Hdr](#) [FP301-1-6"-Clear](#) [FP301-18-48"-Black-Hdr](#) [FP301-1/8-6"-Black](#) [FP301-18-6"-Black-Bulk](#) [FP301-316-48"-Blue-Hdr](#) [FP301-316-6"-Clear](#) [FP301-332-6"-Black](#) [912229N002](#) [120-126-16BL](#) [121-001-09](#) [121-018-32](#) [121-018-40](#)
[121-123-1-1-32BTC](#) [121-123-1-1-40BTC](#)