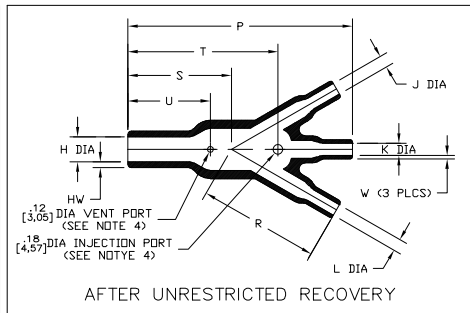
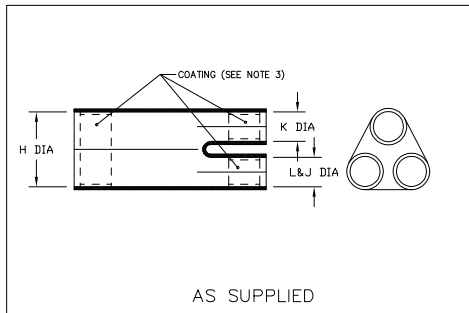


Molded Parts Specification Control Drawing

Part Number : 462A011 thru 060
Description : Transition, 1 to 3 Cables

NOTES

- All dimensions are in $\frac{\text{inches}}{\text{[millimeters]}}$, $\frac{\text{lbs}}{\text{[gms]}}$
- Dimensions appearing in table are as follows:
 - a - As Supplied
 - b - After Unrestricted Recovery
- Coating is optional. As supplied dimensions appearing in table are for uncoated parts. When coating is added, entry diameters will be reduced by .06 max.
- Molding ports are optional. When -00 modification number is specified molding ports will be located as shown.
- Part number 462A060 is not available in -5, -6, -12, or -100 material.
- Weight shown in table of dimensions is based on polyolefin part.
- Part number 462A046 and 462A060 is not available in -152.



PART NUMBER	H		J,K & L		P	R	S	T	U	HW	W	C	Weight
	Min a	Max b	Min a	Max b	±10% b	±10% b	±10% b	±10% b	±10% b	±20% b	±20% b	±5° b	Nom b
462A011	.52 [13,2]	.26 [6,6]	.26 [6,6]	.14 [3,6]	1.82 [46,2]	1.00 [25,4]	.82 [20,8]	1.20 [30,5]	.62 [15,7]	.06 [1,52]	.04 [1,02]	30°	.005 [2,27]
462A023	1.06 [26,9]	.52 [13,2]	.52 [13,2]	.27 [6,9]	3.67 [93,2]	1.98 [50,3]	1.69 [42,9]	2.25 [57,2]	1.30 [33,0]	.10 [2,54]	.06 [1,52]	30°	.036 [16,33]
462A034	1.52 [38,6]	.74 [18,8]	.76 [19,3]	.38 [9,7]	5.32 [135,1]	2.90 [73,7]	2.42 [61,5]	3.50 [88,9]	1.80 [45,7]	.12 [3,05]	.07 [1,78]	30°	.099 [44,91]
462A046	2.19 [55,6]	1.00 [25,4]	1.06 [26,9]	.49 [12,4]	7.56 [192,0]	4.06 [103,1]	3.50 [88,9]	4.80 [121,9]	2.80 [71,1]	.18 [4,57]	.12 [3,05]	30°	.315 [142,88]
46AA060	3.60 [91,4]	2.15 [54,6]	1.80 [45,7]	1.08 [27,4]	15.37 [390,4]	8.31 [211,1]	7.06 [179,3]	10.00 [254,0]	5.00 [127,0]	.28 [7,11]	.18 [4,57]	30°	1.900 [861,83]



TE CONNECTIVITY
307 CONSTITUTION DRIVE
MENLO PARK, CALIFORNIA 94025

© 2004,2011 Tyco Electronics Corporation, a TE Connectivity Ltd. Company. All Rights Reserved.

Revision : T1
Date : 20APR11

Part Number : 462A011 thru 060
Description : Transition, 1 to 3 Cables

Molded Parts Specification Control Drawing

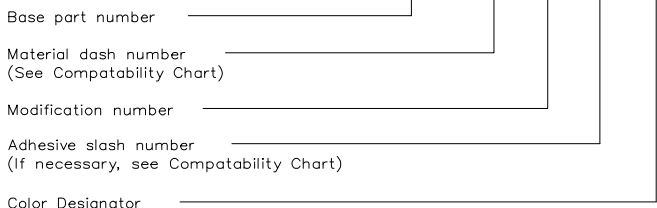
Part Number : 462A011 thru 060
Description : Transition, 1 to 3 Cables

MATERIAL DASH NO.	MATERIAL DESCRIPTION	RT SPEC	COATING SLASH NO.	COATING S NO.	COATING DESCRIPTION
-3	Polyolefin, Semi-rigid	RT-301	/42;/86	S-1017;S-1048	Adhesive
-4	Polyolefin, Flexible	RT-1304	/42;/86;/180	S-1017;S-1048;S-1030	Adhesive
-5	Elastomer, Flexible	RT-501	/42	S-1017	Adhesive
-6	Silicone	RT-602	N/A		
-12	*VITON, Flexible	RT-1312	N/A		
-25	Elastomer, Fluid Resistant	RT-1325	/42;/86	S-1017;S-1048	Adhesive
-152	Polyolefin, Flexible	MIL-I-81765/1A	/42	S-1017	Adhesive
-100	Polyolefin, Semi-flexible ZERODUR™	RT-1323	/86;/180	S-1048;S-1030	Adhesive

*VITON is a Registered Trademark of Dupont

ORDERING INFORMATION

462A0XX -XXX -XX /XXX -0



IF THIS DOCUMENT IS PRINTED IT BECOMES UNCONTROLLED.
CHECK FOR THE LATEST REVISION.

THIS DRAWING IS SUBJECT TO CHANGE WITHOUT NOTICE; CONSULT YOUR
NEAREST FIELD REPRESENTATIVE FOR CURRENT REVISION



TE CONNECTIVITY
307 CONSTITUTION DRIVE
MENLO PARK, CALIFORNIA 94025

© 2004,2011 Tyco Electronics Corporation, a TE Connectivity Ltd. Company. All Rights Reserved.

Revision : T1
Date : 20APR11

Part Number : 462A011 thru 060
Description : Transition, 1 to 3 Cables

CAD FILE MP04011

X-ON Electronics

Largest Supplier of Electrical and Electronic Components

Click to view similar products for [Heat Shrink Cable Boots & End Caps](#) category:

Click to view products by [TE Connectivity](#) manufacturer:

Other Similar products are found below :

[577159N001](#) [007758-000](#) [610368N003](#) [645494-000](#) [M85049/141-02HU](#) [M85049/141-03HU](#) [M85049/141-04HU](#) [687025-000](#) [705331-000](#)
[718446-000](#) [725666N001](#) [729257-000](#) [F21914-000](#) [F27131-000](#) [F85868-000](#) [770-006A103R](#) [770-006A304W1](#) [770-006A305W1](#) [770-](#)
[006A308W1](#) [770-011T303W1](#) [770-011T304W1](#) [770-020S702W1](#) [770-020S704W1](#) [806138-000](#) [806542N001](#) [807507-000](#) [808059-000](#)
[808296-000](#) [808362-000](#) [808828-000](#) [809125-000](#) [809130-000](#) [809218-000](#) [811218-000](#) [811288-000](#) [812014-000](#) [812047-000](#) [813166-000](#)
[813767N002](#) [814417-000](#) [819115N001](#) [819117N001](#) [823026-000](#) [823070-000](#) [825002-000](#) [841189N001](#) [861471-000](#) [866647-000](#) [937577-](#)
[000](#) [950764-000](#)