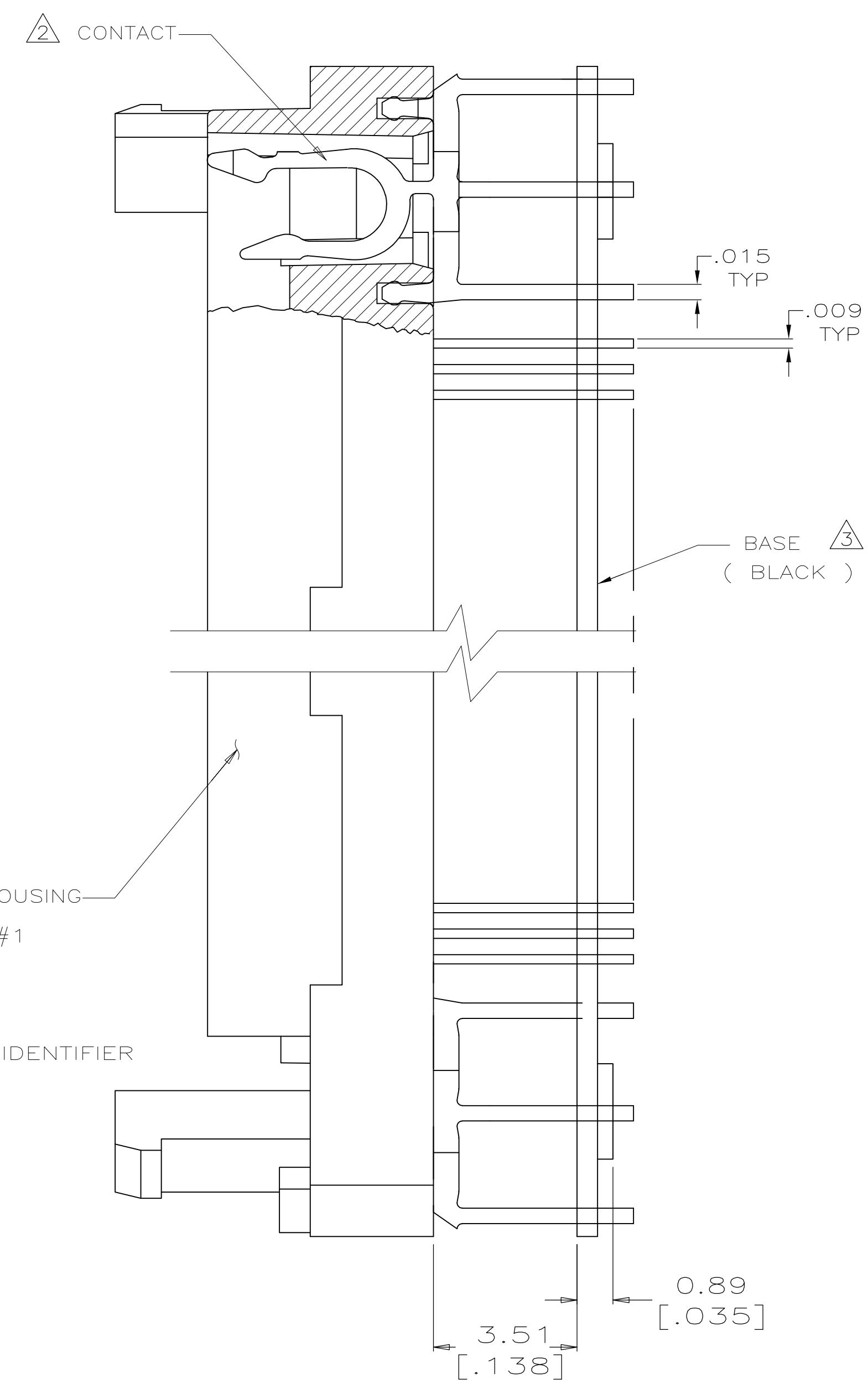
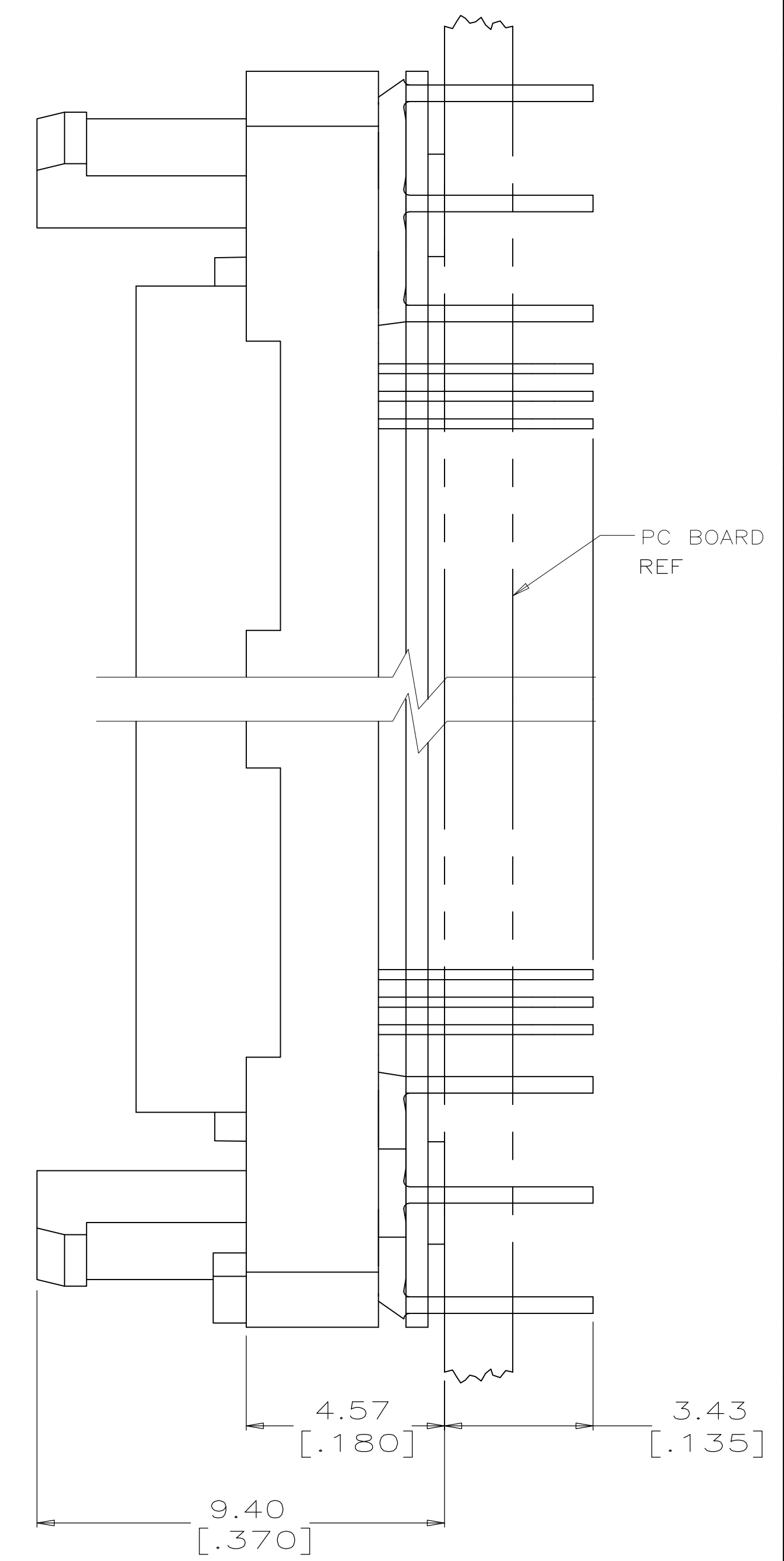


SUB-ASSEMBLY SHOWN AS SHIPPED



SUB-ASSEMBLY SHOWN IN FINAL POSITION



- 1 HOUSING MATERIAL SHALL BE LIQUID CRYSTAL POLYMER. (BLACK)
- 2 CONTACT MATERIAL SHALL BE PHOS. BRONZE. PLATING SHALL BE .000200 [0.00508] MIN. TIN/LEAD OVER .000050 [0.00127] MIN. NICKEL ALL OVER.
- 3 BASE MATERIAL SHALL BE LIQUID CRYSTAL POLYMER. (BLACK)
- 4 CONTACT MATERIAL SHALL BE PHOS. BRONZE. PLATING SHALL BE .000200 [0.00508] MIN. TIN (LEAD FREE) OVER .000050 [0.00127] MIN. NICKEL ALL OVER.

822115-4	4	6.43 [.253]	25.35 [.998]	38.20 [1.504]	2-822114-4	160
822115-3	4	7.73 [.304]	22.76 [.896]	38.20 [1.504]	2-822114-3	144
822115-4	2	6.43 [.253]	25.35 [.998]	38.20 [1.504]	822114-4	160
822115-3	2	7.73 [.304]	22.76 [.896]	38.20 [1.504]	822114-3	144
MATING COVER PART NO.	FINISH	C	B	A	PART NO.	POSN.

THIS DRAWING IS A CONTROLLED DOCUMENT.

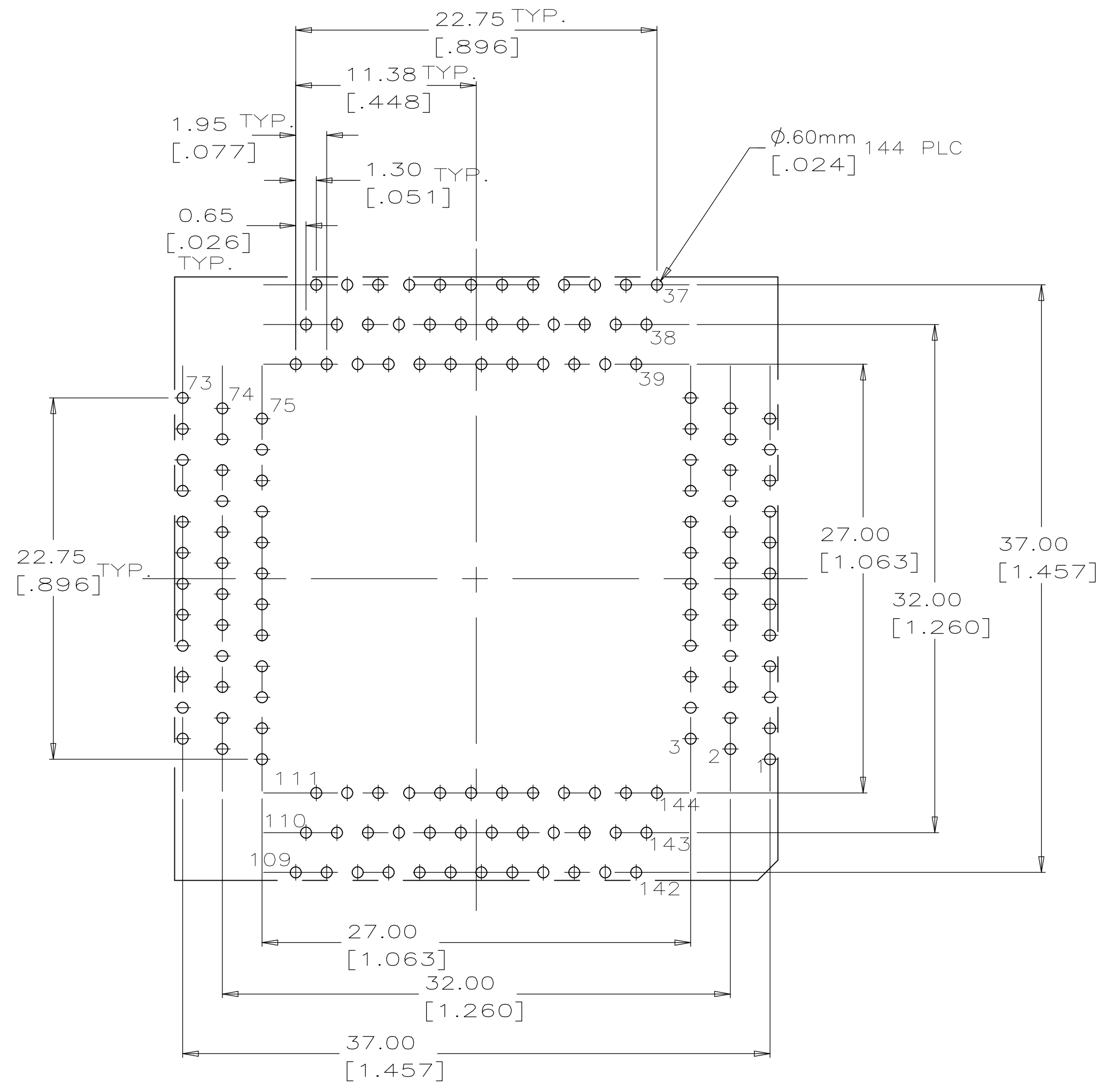
DWN	C.WHITT	8-8-91
CHK	R.MILLER	8-8-91
APVD	G.HOWEL	8-15-91

TE Connectivity

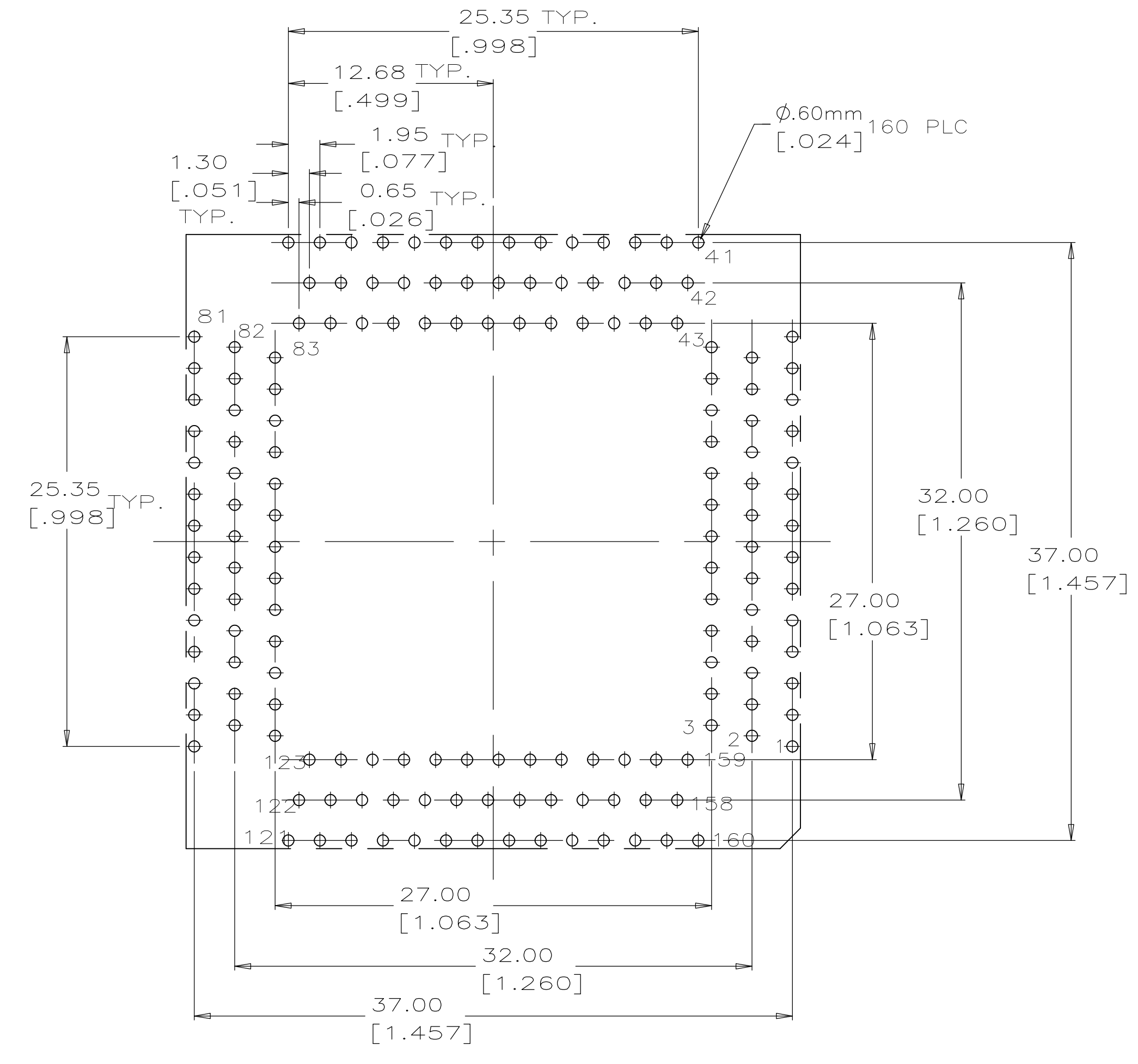
MICRO-PITCH SOCKET, METRIC HOUSING SUB-ASSEMBLY FOR 28mm SQUARE, .65 PITCH PQFP

SIZE: A1 DAGE CODE: C DRAWING NO: 00779 PART NO: 822114

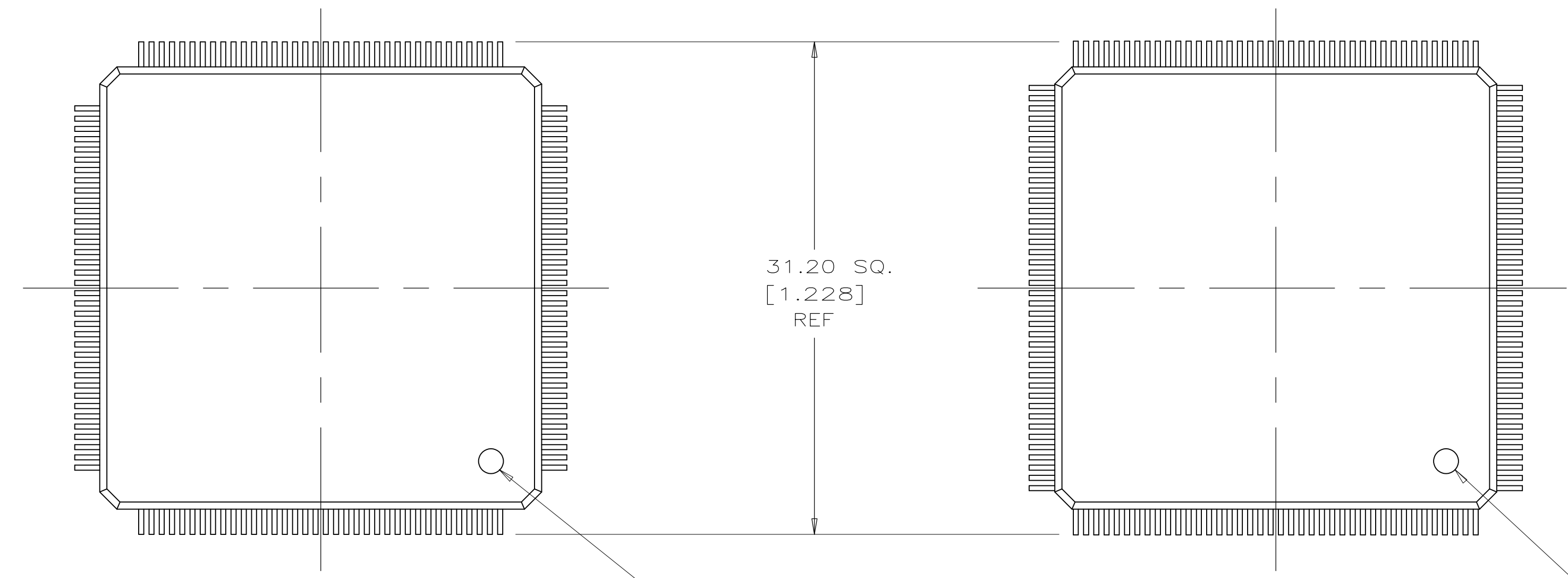
SCALE: 10:1 SHEET: 1 OF 2 REV: E1



RECOMMENDED P.C. BOARD HOLE PATTERN
SOCKET SIDE
144 POSN.

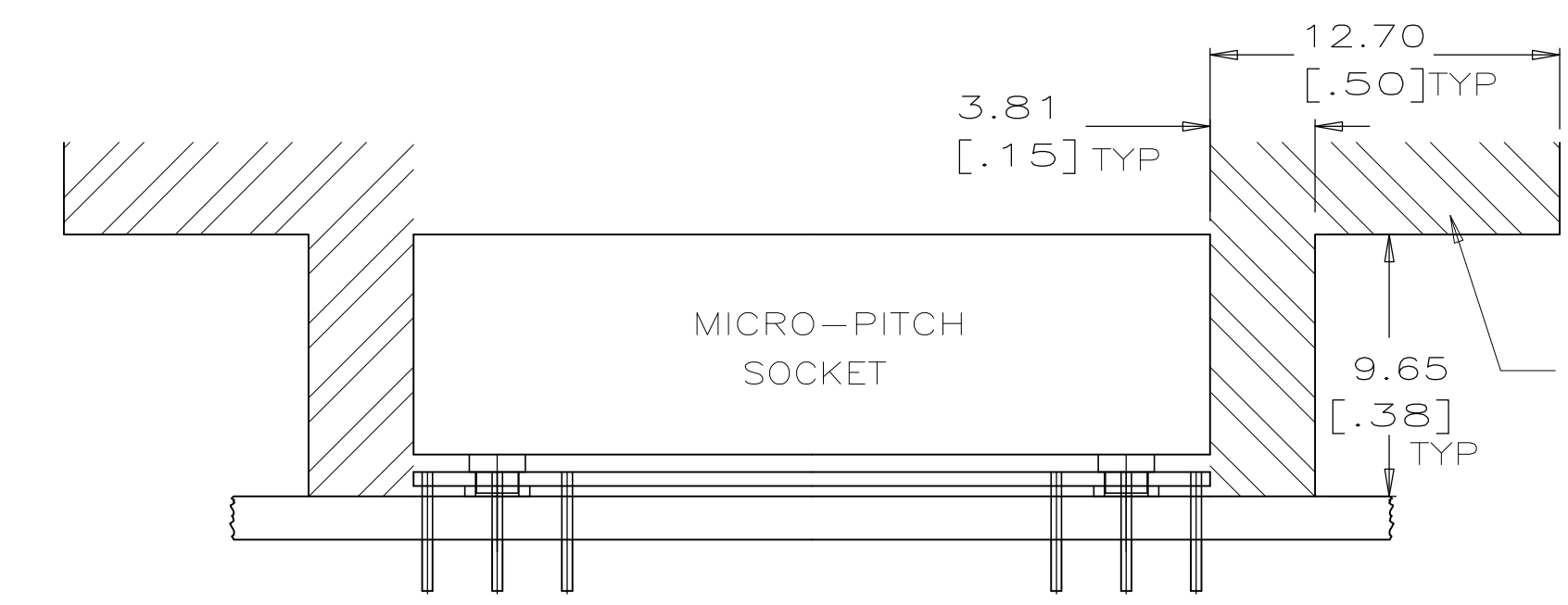


RECOMMENDED P.C. BOARD HOLE PATTERN
SOCKET SIDE
160 POSN.



144 POSITION

160 POSITION



THIS AREA TO BE FREE OF COMPONENTS FOR ACCESS OF THE MICRO-PITCH HAND TOOL. MINIMUM OF TWO OPPOSITE SIDES.

THIS DRAWING IS A CONTROLLED DOCUMENT.		DWN	C. WHITT	8-9-91	TE Connectivity
DIMENSIONS: INCHES		CHK	R. MILLER	8-9-91	
TOLERANCES UNLESS OTHERWISE SPECIFIED:		APVD	G. HOWEL	8-15-91	NAME
0 PLC	±	PRODUCT SPEC			MICRO-PITCH SOCKET, METRIC HOUSING SUB-ASSEMBLY FOR 28mm SQUARE, .65 PITCH PQFP
1 PLC	±	APPLICATION SPEC			SIZE
2 PLC	±				CAGE CODE
3 PLC	± .1mm [.004]				DRAWING NO
4 PLC	±				RESTRICTED TO
ANGLES	±	WEIGHT			A100779
					822114
MATERIAL		CUSTOMER DRAWING			SCALE
					10:1
					SHEET
					2 OF 2
					REV
					E1

X-ON Electronics

Largest Supplier of Electrical and Electronic Components

Click to view similar products for [IC & Component Sockets](#) category:

Click to view products by [TE Connectivity](#) manufacturer:

Other Similar products are found below :

[0066-3-17-15-30-14-02-0](#) [670](#) [672](#) [673](#) [694-13-640-00-672-000](#) [712-93-120-41-001000](#) [714-93-104-31-018000](#) [8059-4G1-LF](#) [807-22-001-10-001101](#) [807-22-001-10-006101](#) [807-22-001-30-011101](#) [807-22-001-30-012101](#) [807-22-001-30-013101](#) [807-22-001-30-014101](#) [8-1437531-4](#) [8150-6P10](#) [833-93-034-10-001000](#) [851-41-006-10-001000](#) [851-43-008-20-001000](#) [851-43-014-20-001000](#) [851-93-006-20-001000](#) [851-93-010-20-001000](#) [853-43-020-10-001000](#) [86.010.0053.0](#) [116-43-308-41-007000](#) [PX-68LCC](#) [121-13-318-41-001000](#) [121-13-320-41-001000](#) [121-13-308-41-001000](#) [123-43-314-41-801000](#) [123-43-420-41-001000](#) [123-87-320-41-001101](#) [122-13-316-41-001000](#) [123-13-624-41-001000](#) [123-43-306-41-001000](#) [12-3513-11](#) [123-91-320-41-001000](#) [126-43-310-41-002000](#) [AKSUN 37V-T](#) [1437503-9](#) [1437504-1](#) [146-44-308-41-013000](#) [APO-320-G-T](#) [146-43-308-41-012000](#) [160-10-308-00-001000](#) [160-40-320-00-001000](#) [214-99-306-01-670800](#) [232-1270-02-0602](#) [2-382761-4](#) [2-5331677-4](#)