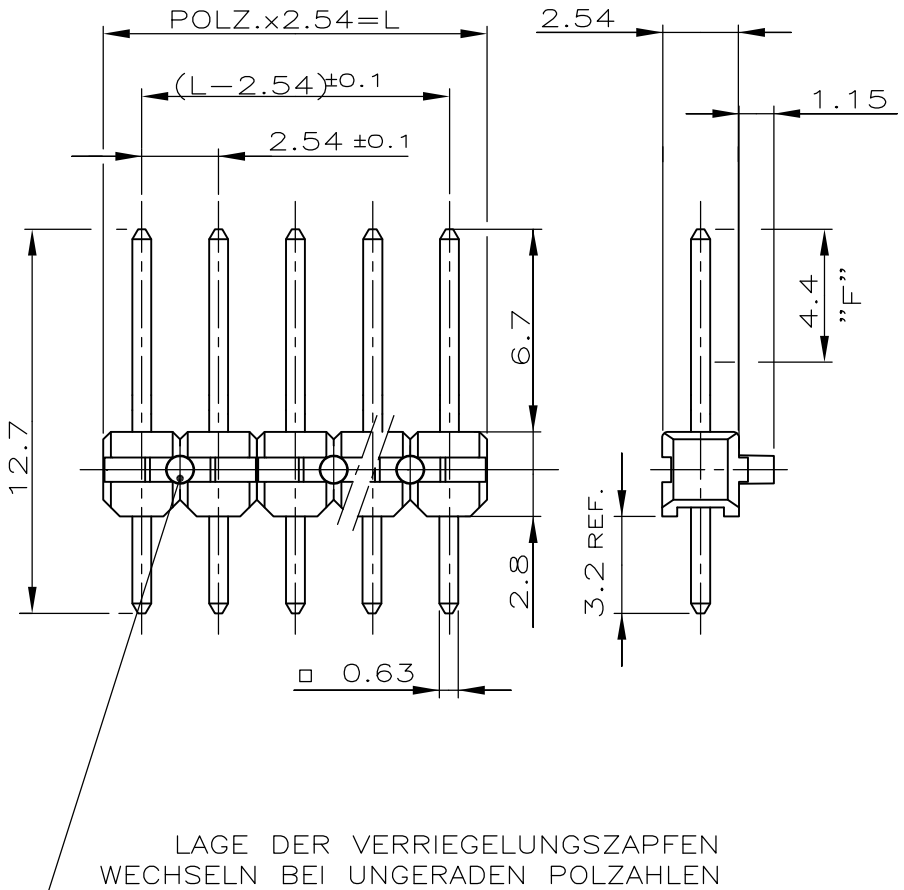


| | | | | | | | | |
|--|-----|------|-----------|-----|---|-----------|-----|------|
| WAR NR. - | LOC | DIST | REVISIONS | | | | | |
| VERWENDET FÜR - | | | P | LTR | DESCRIPTION | DATE | DWN | APVD |
| ÄNDERUNGEN, DIE DEM TECHNISCHEN FORTSCHRITT DIENEN, BEHALTEN WIR UNS VOR | | | S | | BESCHREIBUNG | 27MAY2014 | TJ | JK |
| | | | | | CONTACT PIN MATERIAL CHANGED FROM CuSn (Phosphor bronze) TO CuZn (Brass). PLATING CHANGED FROM MIN. 0.8µm GOLD PLATING TO MIN. 0.7µm PdNi+0.1µm GOLD FLASH AT CONTACT AREA. | | | |

| POLZ. | L±0.5 | BESTELL-NR. | |
|-------|--------|-------------|----|
| 1 | 2.54 | △ | -1 |
| 2 | 5.08 | 825 433 | -2 |
| 3 | 7.62 | | -3 |
| 4 | 10.16 | | -4 |
| 5 | 12.70 | | -5 |
| 6 | 15.24 | | -6 |
| 7 | 17.78 | | -7 |
| 8 | 20.32 | | -8 |
| 9 | 22.86 | | -9 |
| 10 | 25.40 | 1- | -0 |
| 11 | 27.94 | 1- | -1 |
| 12 | 30.48 | 1- | -2 |
| 13 | 33.02 | 1- | -3 |
| 14 | 35.56 | 1- | -4 |
| 15 | 38.10 | 1- | -5 |
| 16 | 40.64 | 1- | -6 |
| 17 | 43.18 | 1- | -7 |
| 18 | 45.72 | 1- | -8 |
| 19 | 48.26 | 1- | -9 |
| 20 | 50.80 | 2- | -0 |
| 21 | 53.34 | 2- | -1 |
| 22 | 55.88 | 2- | -2 |
| 23 | 58.42 | 2- | -3 |
| 24 | 60.96 | 2- | -4 |
| 25 | 63.50 | 2- | -5 |
| 26 | 66.04 | 2- | -6 |
| 27 | 68.58 | 2- | -7 |
| 28 | 71.12 | 2- | -8 |
| 29 | 73.66 | 2- | -9 |
| 30 | 76.20 | 3- | -0 |
| 31 | 78.74 | 3- | -1 |
| 32 | 81.28 | 3- | -2 |
| 33 | 83.82 | 3- | -3 |
| 34 | 86.36 | 3- | -4 |
| 35 | 88.90 | 3- | -5 |
| 36 | 91.44 | 3- | -6 |
| 37 | 93.98 | 3- | -7 |
| 38 | 96.52 | 3- | -8 |
| 39 | 99.06 | 3- | -9 |
| 40 | 101.60 | 4- | -0 |
| 41 | 104.14 | 4- | -1 |
| 42 | 106.68 | 4- | -2 |
| 43 | 109.22 | 4- | -3 |
| 44 | 111.76 | 4- | -4 |
| 45 | 114.30 | 4- | -5 |
| 46 | 116.84 | 4- | -6 |
| 47 | 119.38 | 4- | -7 |
| 48 | 121.92 | 4- | -8 |
| 49 | 124.46 | 4- | -9 |
| 50 | 127.00 | 5- 825 433 | -0 |



△ MIN 0.7µm PdNi+0.1µm GOLD FLASH AT CONTACT AREA "F".
 MIN. 2.5µm TIN OVER 1.27µm NICKEL AT SOLDER AREA.

△ VARIANTE 825433-1 ERSETZT DURCH 826629-1

△ OBSOLETE PARTS

△ OBSOLETE PARTS: OBSOLETE CIS STREAMLINING PER D.RENAUD/D.SINISI

| | | |
|-------------|----------|--------------|
| CONTACT PIN | Cu Zn | △ |
| HOUSING | PBT GV | GREEN |
| DESCRIPTION | MATERIAL | COLOR FINISH |

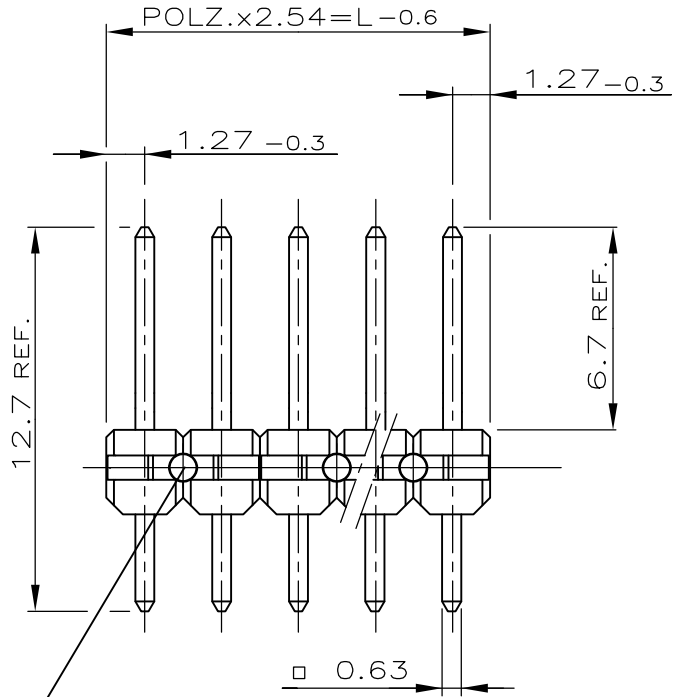
THIS DRAWING IS UNPUBLISHED. VERBODEN DE UNVEROEFENTLIJKE ZEICHNING. ALL RIGHTS RESERVED.

CAD-ORIGINAL ZEICHNUNG NICHT ÄNDERN ZEICHNUNG GÜLTIG AB 39./96..

| | | | | | | | |
|--|--------------------|-----------------------|-----------------|-------------|------------------------|-------------------|---|
| DIMENSIONS: MASSENHEITEN mm | DWN | 10.05.84 | MATERIAL | - | FINISH | OBERFLAECHE/FARBE | - |
| | CHK | 10.05.84 | TE Connectivity | | | | |
| TOLERANCES UNLESS OTHERWISE SPECIFIED: ALLGEMEINTOLERANZEN | APVD | 10.05.84 | | | | | |
| ±0.2 mm | PRODUCT SPEC | NAME | | | | | |
| 1 PLC ± - | PRODUKTSPEZ | | | | | | |
| 2 PLC ± - | 108-18012 | AMPMODU II PIN HEADER | | | | | |
| 3 PLC ± - | APPLICATION SPEC | | | | | | |
| 4 PLC ± - | VERARBEITUNGSSPEZ. | SIZE | CAGE CODE | DRAWING NO | RESTRICTED TO NUR FUER | | |
| ANGLES /WINKEL ± . | WEIGHT GEWICHT | A4 | 00779 | C-825433 | - | | |
| CUSTOMER DRAWING /KUNDENZEICHNUNG | | SCALE MASSSTAB | 4:1 | SHEET BLATT | 1 OF 2 VON | REV S | |

| | | | | | | | |
|-----------------|------|-----------|-----|-------------|------|-----|------|
| LOC | DIST | REVISIONS | | | | | |
| — | — | P | LTR | DESCRIPTION | DATE | DWN | APVD |
| VERWENDET FÜR — | | — | — | SEE SHEET 1 | — | — | — |
| WAR NR. — | | | | | | | |

| POLZ. | L - 0.6 | BESTELL-NR. |
|-------|---------|-------------|
| 2 | 5.08 | -2 |
| 3 | 7.62 | 5-825 433-3 |
| 4 | 10.16 | 5- -4 |
| 5 | 12.70 | 5- -5 |
| 6 | 15.24 | 5- -6 |
| 7 | 17.78 | 5- -7 |
| 8 | 20.32 | 5- -8 |
| 9 | 22.86 | 5- -9 |
| 10 | 25.40 | 6- -0 |
| 11 | 27.94 | 6- -1 |
| 12 | 30.48 | 6- -2 |
| 13 | 33.02 | 6- -3 |
| 14 | 35.56 | 6- -4 |
| 15 | 38.10 | 6- -5 |
| 16 | 40.64 | 6- -6 |
| 17 | 43.18 | 6- -7 |
| 18 | 45.72 | 6- -8 |
| 19 | 48.26 | 6- -9 |
| 20 | 50.80 | 7- -0 |
| 21 | 53.34 | 7- -1 |
| 22 | 55.88 | 7- -2 |
| 23 | 58.42 | 7- -3 |
| 24 | 60.96 | 7- -4 |
| 25 | 63.50 | 7- -5 |
| 26 | 66.04 | 7- -6 |
| 27 | 68.58 | 7- -7 |
| 28 | 71.12 | 7- -8 |
| 29 | 73.66 | 7- -9 |
| 30 | 76.20 | 8- -0 |
| 31 | 78.74 | 8- -1 |
| 32 | 81.28 | 8- -2 |
| 33 | 83.82 | 8- -3 |
| 34 | 86.36 | 8- -4 |
| 35 | 88.90 | 8- -5 |
| 36 | 91.44 | 8- -6 |
| 37 | 93.98 | 8- -7 |
| 38 | 96.52 | 8- -8 |
| 39 | 99.06 | 8- -9 |
| 40 | 101.60 | 9- -0 |
| 41 | 104.14 | 9- -1 |
| 42 | 106.68 | 9- -2 |
| 43 | 109.22 | 9- -3 |
| 44 | 111.76 | 9- -4 |
| 45 | 114.30 | 9- -5 |
| 46 | 116.84 | 9- -6 |
| 47 | 119.38 | 9- -7 |
| 48 | 121.92 | 9- -8 |
| 49 | 124.46 | 9- -9 |
| 50 | 127.00 | 5- -0 |



LAGE DER VERRIEGELUNGSZAPFEN WECHSELN BEI UNGERADEN POLZAHLEN

| | | |
|-----------|-----------|------------------|
| BENENNUNG | WERKSTOFF | OBERFLÄCHE FARBE |
|-----------|-----------|------------------|

CAD-ORIGINAL
ZEICHNUNG NICHT ÄNDERN

ZEICHNUNG GÜLTIG AB 39./96.

THIS DRAWING IS UNPUBLISHED. ALL RIGHTS RESERVED. RELEASED FOR PUBLICATION.

| | | | |
|--|---------------------|----------------------------|-----------------|
| DIMENSIONS: mm | DWN A.HO 14.08.90 | MATERIAL — | FINISH — |
| TOLERANCES UNLESS OTHERWISE SPECIFIED: ±0.2 mm | CHK M.SCHAARSCHMIDT | TE Connectivity | |
| 0 PLC ± - | APVD — | | |
| 1 PLC ± - | PRODUCT SPEC — | NAME AMPMODU II PIN HEADER | |
| 2 PLC ± - | APPLICATION SPEC — | SIZE A4 | CAGE CODE 00779 |
| 3 PLC ± - | WEIGHT — | DRAWING NO C-825433 | |
| 4 PLC ± - | | RESTRICTED TO — | |
| ANGLES ± - | | SCALE 4:1 | SHEET 2 OF 2 |
| | CUSTOMER DRAWING | REV S | |

X-ON Electronics

Largest Supplier of Electrical and Electronic Components

Click to view similar products for [Headers & Wire Housings](#) category:

Click to view products by [TE Connectivity](#) manufacturer:

Other Similar products are found below :

[892-18-020-10-001101](#) [58102-G61-06LF](#) [582553-1](#) [0009485154](#) [009176003701906](#) [0050291907](#) [LY20-4P-DT1-P1E-BR](#) [02.125.8002.8](#)
[609-3404](#) [61062-3](#) [61082-181009](#) [622-3653LF](#) [63453-116](#) [636-1030](#) [636-1427](#) [636-3427](#) [636-4007](#) [641938-9](#) [641991-4](#) [644827-2](#) [65817-010LF](#) [65817-015LF](#) [65863-015LF](#) [66207-023LF](#) [67095-007LF](#) [67601157](#) [68645-018](#) [68648-049](#) [70.362.1628.0](#) [70-4210](#) [70-4226B](#) [70-4853B](#) [707-5020](#) [707-5028](#) [71.350.2428.0](#) [71918-208LF](#) [71961-016LF](#) [733-134](#) [733-162](#) [754199-000](#) [760-3052](#) [787-8014-00](#) [79531-3000](#)
[FCN-360C032-B](#) [FCN-367T-T012/H](#) [FCN-723D010/2](#) [80.063.4001.1](#) [800-90-001-10-001000](#) [800-90-010-10-002000](#) [801-43-002-10-013000](#)