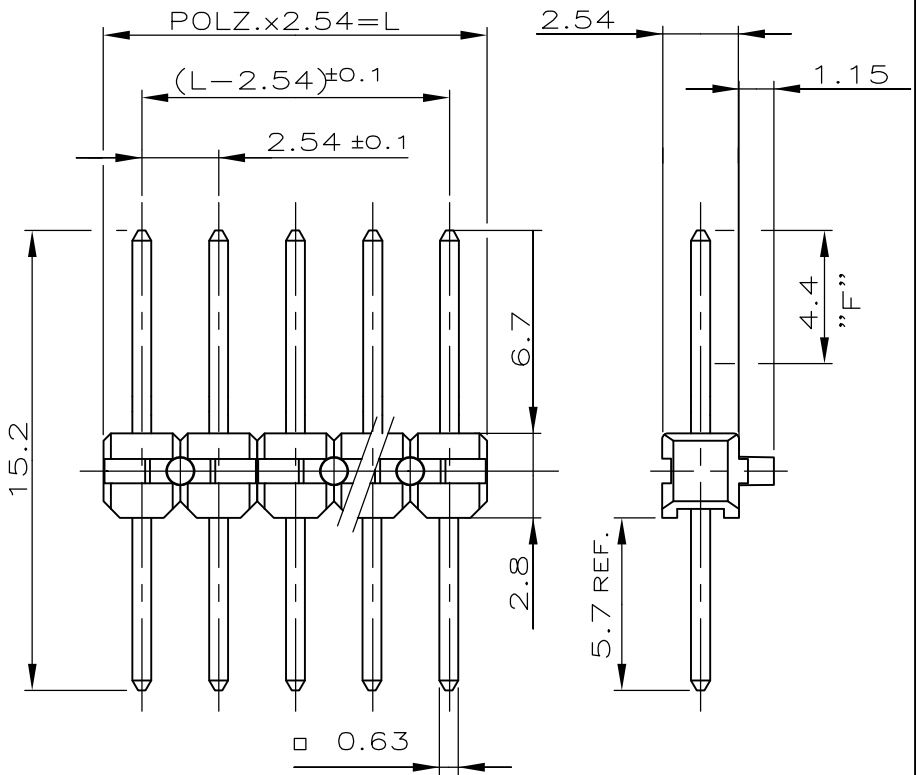


|     |      |           |     |  |           |     |      |
|-----|------|-----------|-----|--|-----------|-----|------|
| LOC | DIST | REVISIONS |     |  |           |     |      |
| —   | —    | P         | LTR | DESCRIPTION  | DATE      | DWN | APVD |
|     |      | F         |     | CONTACT PIN MATERIAL CHANGED FROM CuSn (Phosphor bronze) to CuZn (Brass). PLATING CHANGED FROM MIN. 0.8µm GOLD PLATING MIN. 0.7µm Pd Ni+0.1µm GOLD FLASH AT CONTACT AREA (Area F). | 11JUN2014 | TJ  | JK   |

| POLZ. | L±0.5  | BESTELL-NR.   |    |
|-------|--------|---------------|----|
| 1     | 2.54   | 825 434 -1    | △2 |
| 2     | 5.08   |               | △2 |
| 3     | 7.62   |               | △2 |
| 4     | 10.16  |               | △2 |
| 5     | 12.70  |               | -5 |
| 6     | 15.24  |               | △2 |
| 7     | 17.78  |               | -7 |
| 8     | 20.32  |               | △2 |
| 9     | 22.86  |               | △2 |
| 10    | 25.40  | 1-            | 0  |
| 11    | 27.94  | 1-            | -1 |
| 12    | 30.48  | 1-            | -2 |
| 13    | 33.02  | 1-            | -3 |
| 14    | 35.56  | 1-            | 4  |
| 15    | 38.10  | 1-            | -5 |
| 16    | 40.64  | 1-            | 6  |
| 17    | 43.18  | 1-            | -7 |
| 18    | 45.72  | 1-            | -8 |
| 19    | 48.26  | 1-            | -9 |
| 20    | 50.80  | 2-            | -0 |
| 21    | 53.34  | 2-            | -1 |
| 22    | 55.88  | 2-            | -2 |
| 23    | 58.42  | 2-            | -3 |
| 24    | 60.96  | 2-            | -4 |
| 25    | 63.50  | 2-            | -5 |
| 26    | 66.04  | 2-            | -6 |
| 27    | 68.58  | 2-            | -7 |
| 28    | 71.12  | 2-            | -8 |
| 29    | 73.66  | 2-            | -9 |
| 30    | 76.20  | 3-            | 0  |
| 31    | 78.74  | 3-            | -1 |
| 32    | 81.28  | 3-            | -2 |
| 33    | 83.82  | 3-            | -3 |
| 34    | 86.36  | 3-            | -4 |
| 35    | 88.90  | 3-            | -5 |
| 36    | 91.44  | 3-            | -6 |
| 37    | 93.98  | 3-            | -7 |
| 38    | 96.52  | 3-            | -8 |
| 39    | 99.06  | 3-            | -9 |
| 40    | 101.60 | 4-            | 0  |
| 41    | 104.14 | 4-            | -1 |
| 42    | 106.68 | 4-            | -2 |
| 43    | 109.22 | 4-            | -3 |
| 44    | 111.76 | 4-            | -4 |
| 45    | 114.30 | 4-            | -5 |
| 46    | 116.84 | 4-            | -6 |
| 47    | 119.38 | 4-            | -7 |
| 48    | 121.92 | 4-            | -8 |
| 49    | 124.46 | 4-            | -9 |
| 50    | 127.00 | 5- 825 434 -0 |    |



△1 CONTACT SIDE: MIN.0.7µm PdNi+0.1µm GOLD FLASH OVER 1.27µm NICKEL  
 SOLDER SIDE: 3.0-5.0µm TIN OVER 1.27µm NICKEL  
 △2 OBSOLETE

CAD-ORIGINAL  
 ZEICHNUNG NICHT ÄNDERN

|                     |           |            |
|---------------------|-----------|------------|
| ZEICHNUNG GÜLTIG AB |           | 39/96      |
| KONTAKTSTIFT        | Cu Zn     | △          |
| STIFTGEHÄUSE        | PBT GV    | GRÜN       |
| BENENNUNG           | WERKSTOFF | OBERFLÄCHE |
|                     |           | FARBE      |

THIS DRAWING IS UNPUBLISHED. ALL RIGHTS RESERVED. RELEASED FOR PUBLICATION.

|  |                        |           |   |           |            |               |
|--|------------------------|-----------|---|-----------|------------|---------------|
| DIMENSIONS:<br>mm                                | DWN<br>A.HO            | 11.04.84  | MATERIAL                                  | -         | FINISH     | -             |
|  | CHK<br>M.SCHAARSCHMIDT | 11.04.84  | TE Connectivity                           |           |            |               |
| TOLERANCES UNLESS OTHERWISE SPECIFIED:<br>±0.2mm | APVD                   | -         |   |           |            |               |
| 0 PLC ± -  | PRODUCT SPEC           | 108-18012 | NAME<br>AMPMODU II PIN HEADER, SINGLE ROW |           |            |               |
| 1 PLC ± -  | APPLICATION SPEC       | -         | SIZE                                      | CAGE CODE | DRAWING NO | RESTRICTED TO |
| 2 PLC ± -  |                        |           | A4  | 00779     | C-825434   | -             |
| 3 PLC ± -  | WEIGHT                 | -         | CUSTOMER DRAWING                          |           |            |               |
| 4 PLC ± -  |                        |           | SCALE                                     | 4:1       | SHEET      | 1 OF 1        |
| ANGLES ± -                                       |                        |           |   |           | REV        | F             |

## X-ON Electronics

Largest Supplier of Electrical and Electronic Components

*Click to view similar products for [Headers & Wire Housings](#) category:*

*Click to view products by [TE Connectivity](#) manufacturer:*

Other Similar products are found below :

[892-18-020-10-001101](#) [58102-G61-06LF](#) [582553-1](#) [0009485154](#) [009176003701906](#) [0050291907](#) [LY20-4P-DT1-P1E-BR](#) [02.125.8002.8](#)  
[609-3404](#) [61062-3](#) [61082-181009](#) [622-3653LF](#) [63453-116](#) [636-1030](#) [636-1427](#) [636-3427](#) [636-4007](#) [641938-9](#) [641991-4](#) [644827-2](#) [65817-010LF](#) [65817-015LF](#) [65863-015LF](#) [66207-023LF](#) [67095-007LF](#) [67601157](#) [68645-018](#) [68648-049](#) [70.362.1628.0](#) [70-4210](#) [70-4226B](#) [70-4853B](#) [707-5020](#) [707-5028](#) [71.350.2428.0](#) [71918-208LF](#) [71961-016LF](#) [733-134](#) [733-162](#) [754199-000](#) [760-3052](#) [787-8014-00](#) [79531-3000](#)  
[FCN-360C032-B](#) [FCN-367T-T012/H](#) [FCN-723D010/2](#) [80.063.4001.1](#) [800-90-001-10-001000](#) [800-90-010-10-002000](#) [801-43-002-10-013000](#)