

THIS DRAWING IS UNPUBLISHED. RELEASED FOR PUBLICATION
 © COPYRIGHT - By - ALL RIGHTS RESERVED.

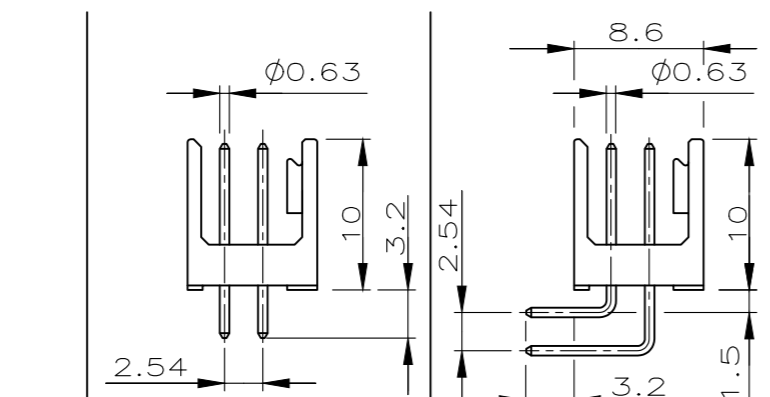
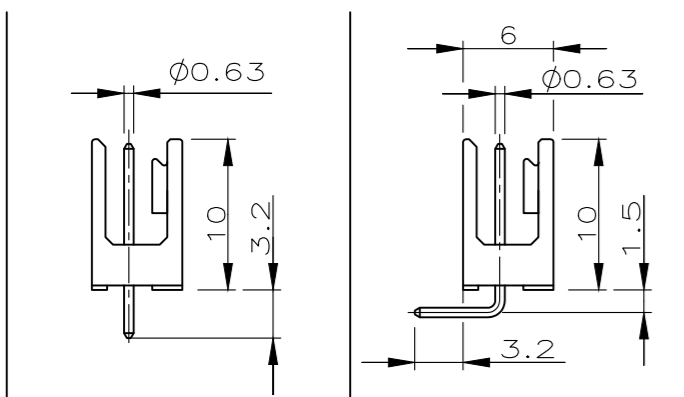
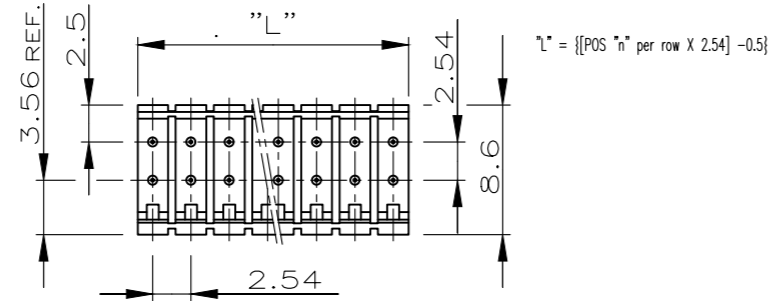
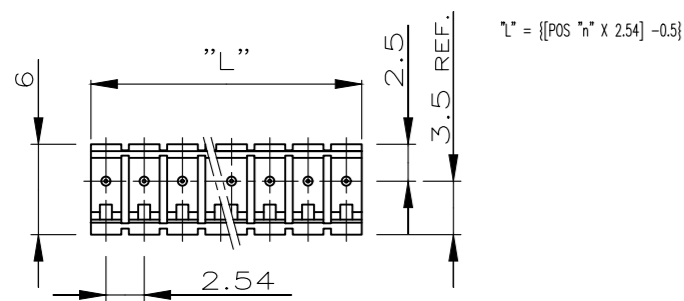
REVISIONS				
P	LTR	DESCRIPTION	DATE	APVD
	Y1	PART STAUTS UPDATED.	03JAN2018	RK PS

MODU II SHROUDED POSTS

MODU II Stiftleiste

SINGLE ROW 3 TO 50 POS.
Einreihig 3 bis 50 pol.

DOUBLE ROW 2x3 TO 2x50 POS.
Zweireihig 2x3 bis 2x50 pol.

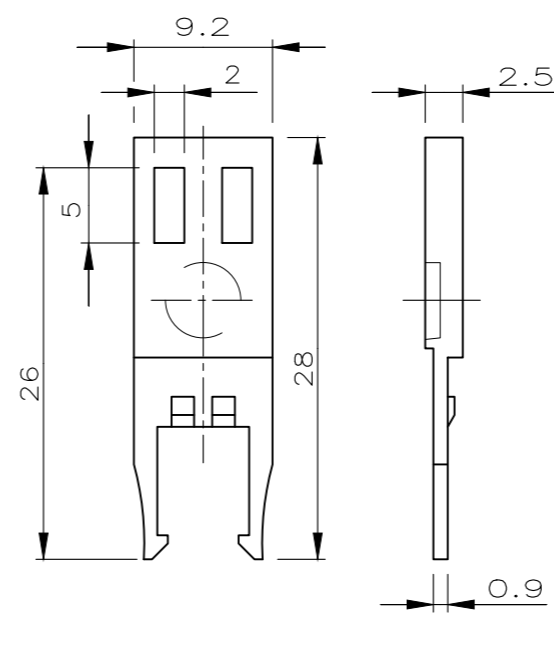
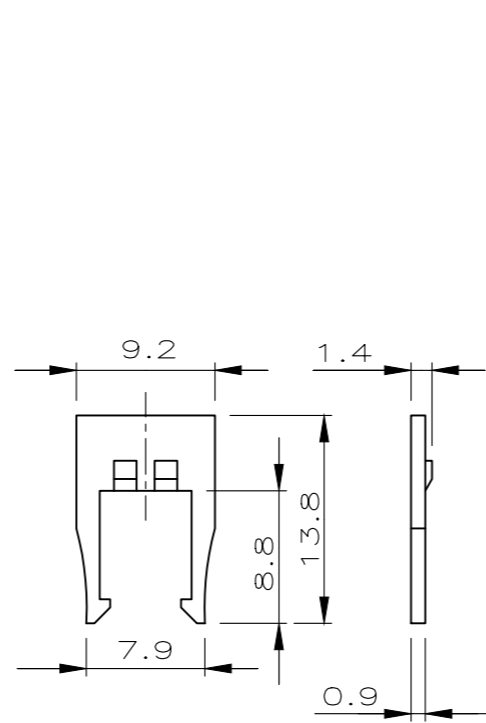


RETENTION PLUG

Rastgabel

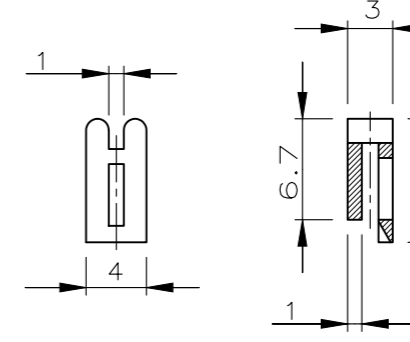
RETENTION PLUG WITH STRAIN RELIEF

Rastgabel mit Zugentlastung



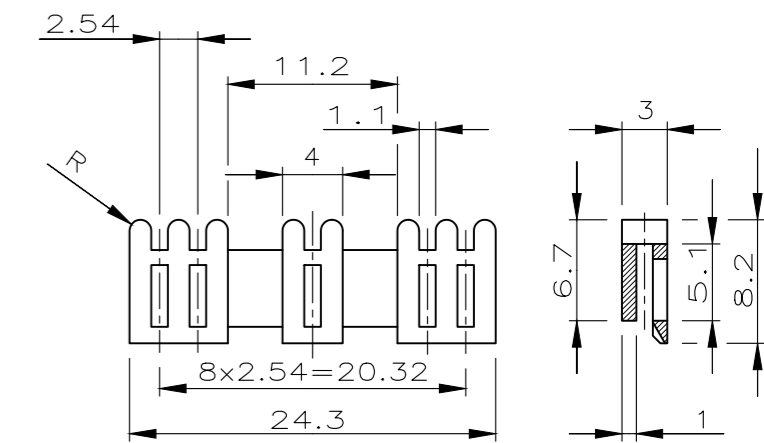
KEYING PLUG

Kodierstift



KEYING BLOCK

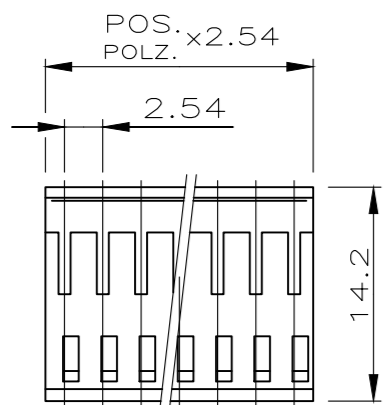
Kodierblock



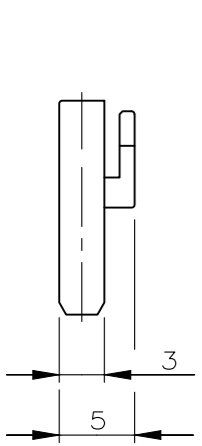
POS.	PART NUMBERS	PART NUMBERS	POS.	PART NUMBERS	PART NUMBERS	PART NUMBERS	COLOUR	PART NUMBERS	COLOUR	PART NUMBERS	COLOUR	PART NUMBERS	COLOUR
3 (2) TO 50	1 826 467-3 BIS	4 826 468-3 BIS	2x3 TO 2x50	1 826 469-3 BIS	1 826 470-2 BIS	926 477-1	BLACK	926 478-1	BLACK	926 498-1	BLACK	927 607-1	BLACK
	5 826 467-0	5 826 468-0		5 826 469-0	5 826 470-0	926 477-2	GREEN	926 478-2	GREEN	926 498-2	GREEN	927 607-2	GREEN
	2 827 295-2 BIS	2 827 296-3 BIS		2 827 297-3 BIS	2 827 298-3 BIS	926 477-3	RED	926 478-3	RED	926 498-3	RED	927 607-3	RED

MODU IV RECEPTACLE HOUSING

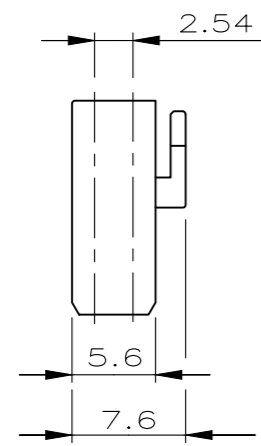
MODU IV Buchsengehäuse



SINGLE ROW
2 TO 36 POS.
Einreihig
2 bis 36 polig.

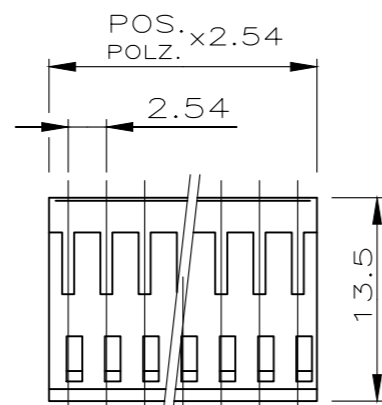


DOUBLE ROW
2x2 TO 2x36 POS.
Zweireihig
2x2 bis 2x36 polig

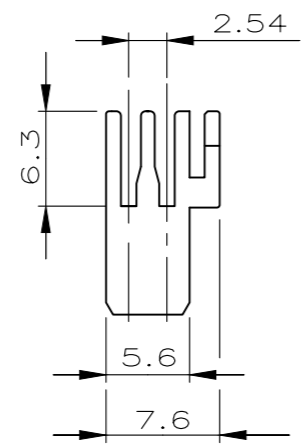


FFC HOUSING

FFC Gehäuse



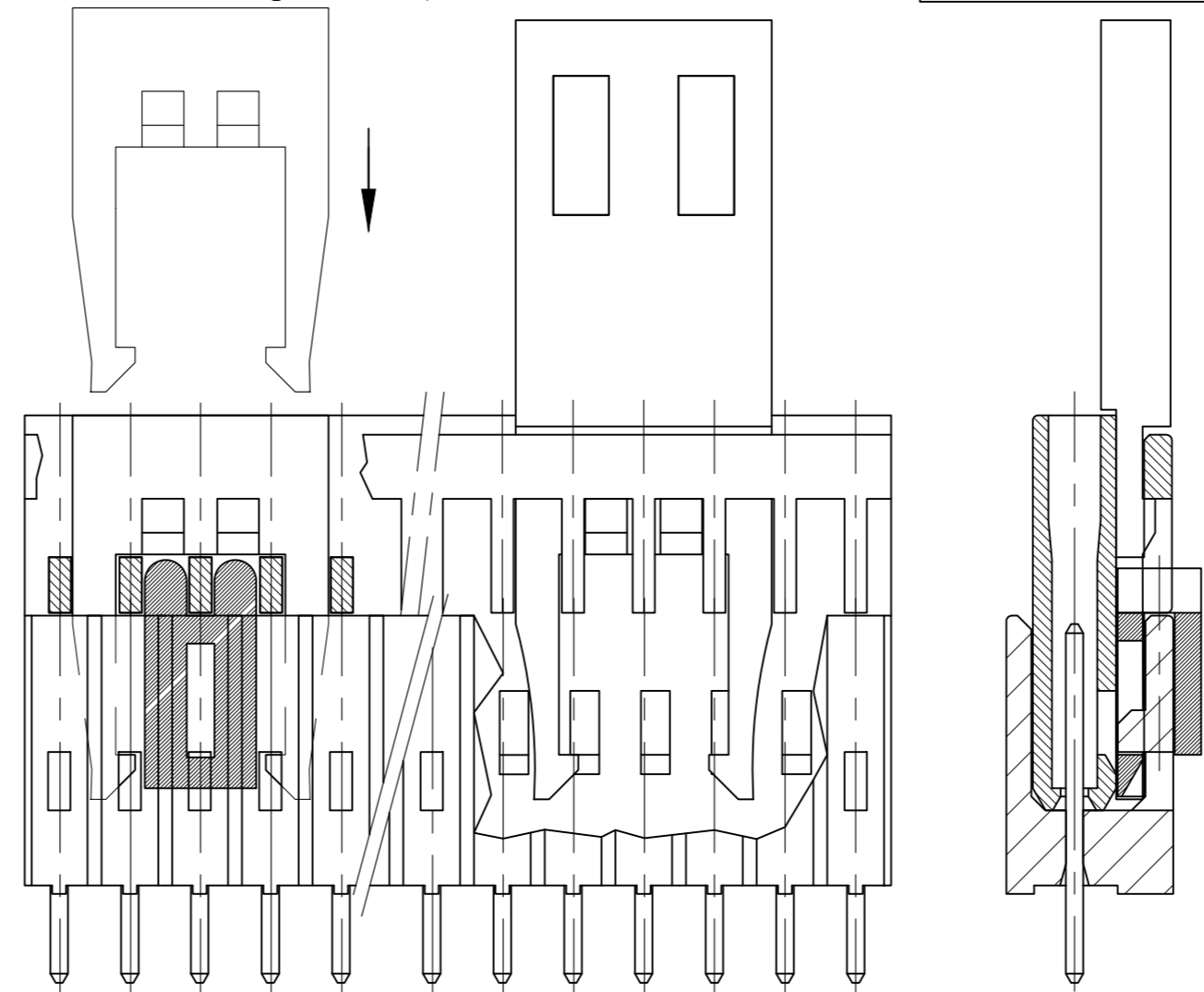
DOUBLE ROW
2x3 TO 2x13 POS.
Zweireihig
2x3 bis 2x13 polig



POS.	PART NUMBERS	POS.	PART NUMBERS	POS.	PART NUMBERS
2 TO 36	926 475-2 3-926 475-6	2x2 TO 2x36	926 476-2 3-926 476-6	2x3 TO 2x13	927 009-3 1-927 009-3

ASSEMBLED COMPONENTS (FOR EXAMPLE)

Anwendungsbeispiel



1 CONTACT PIN/Kontaktstift: CuZn
 PLATING MATING AREA:
 MIN. 0.7µm PdNi + 0.1µm GOLD FLASH OVER
 1.27µm Ni
 SOLDER SIDE: MIN 3.0µm Sn OVER 1.27µm Ni

2 CONTACT PIN/Kontaktstift: CuSn
 PRE TIN PLATED MIN. 2.0µm Sn OVER 1.27µm
 Ni (PIN TIPS BLANK)
 Vorverzinnt min. 2.0µm Sn über 1.27µm Ni
 (Stiftspitzen blank)

MATERIAL:
 PIN HEADER PCT-GV BLACK/schwarz
 Stiftgehäuse PCT-GV BLACK/schwarz
 RECEPTACLE HOUSING PBT-GV BLACK/schwarz
 Buchsengehäuse PBT-GV BLACK/schwarz
 RETENTION PLUGS PC-GV
 Rastgabeln PC-GV
 KEYING PLUG AND BLOCK PA 6.6 GV
 Kodierstift, -block PA 6.6 GV
 FFC HOUSING PBT-GV BLACK/schwarz
 FFC Gehäuse PBT-GV BLACK/schwarz

3 OBSOLETE PARTS
 4 OBSOLETE PARTS:OBSOLETE CIS STREAMLINING
 PER D.RENAUD/D.SINISI

THIS DRAWING IS A CONTROLLED DOCUMENT.		DWN A.HO 08.03.85	TE Connectivity	
DIMENSIONS: mm		CHK M.SCHAARSCHMIDT 02.05.85		
TOLERANCES UNLESS OTHERWISE SPECIFIED: ±0.2mm		APVD	NAME AMPMODU II / AMPMODU IV	
0 PLC ± - 1 PLC ± - 2 PLC ± - 3 PLC ± - 4 PLC ± - ANGLES ± -		PRODUCT SPEC	SIZE CAGE CODE DRAWING NO RESTRICTED TO	
MATERIAL		APPLICATION SPEC	A2 00779 C=826467	
FINISH		WEIGHT	SCALE 2:1 SHEET 1 OF 2 REV Y1	
		CUSTOMER DRAWING		

4

3

2

1

THIS DRAWING IS UNPUBLISHED. RELEASED FOR PUBLICATION
 © COPYRIGHT - By - ALL RIGHTS RESERVED.

REVISIONS				
P	LTR	DESCRIPTION	DATE	APVD
-	-	SEE SHEET 1	-	-

PN 6-926476-8
 2x18 POS. AMPMODU IV RECEPTACLE HOUSING
 2x18 POL. AMPMODU IV BUCHSENGEHÄUSE

PACKAGING
 Verpackung

PART NUMBER 5-826467-3 INCLUDING 75 PCS. OF PN 826467-3
 PACKED IN PLASTIC BOX (78mm x 78mm x 45mm)
 FOR TE-HARRISBURG ONLY

Bestell- Nummer 5-826467-3 enthält 75 Stk. PN 826467-3
 verpackt in Kunststoffschachtel (78mm x 78mm x 45mm)
 nur für TE-Harrisburg

THIS DRAWING IS A CONTROLLED DOCUMENT.		DWN M.SCHAARSCHMIDT 27.09.85	STE TE Connectivity	
		CHK W.MORITZ 30.09.85		
DIMENSIONS: mm		TOLERANCES UNLESS OTHERWISE SPECIFIED: ±0.2mm		NAME AMPMODU II / AMPMODU IV
		0 PLC ± -	PRODUCT SPEC	SIZE A2
		1 PLC ± -	APPLICATION SPEC	
		2 PLC ± -	RESTRICTED TO	
		3 PLC ± -		
MATERIAL		FINISH	WEIGHT	CAGE CODE 00779
				DRAWING NO C-826467
CUSTOMER DRAWING			SCALE 2:1	SHEET 2 OF 2
			REV Y1	

1471-9 (1/15)

826467

X-ON Electronics

Largest Supplier of Electrical and Electronic Components

Click to view similar products for [Headers & Wire Housings](#) category:

Click to view products by [TE Connectivity](#) manufacturer:

Other Similar products are found below :

[892-18-020-10-001101](#) [58102-G61-06LF](#) [582553-1](#) [0009485154](#) [009176003701906](#) [0050291907](#) [LY20-4P-DT1-P1E-BR](#) [02.125.8002.8](#)
[609-3404](#) [61062-3](#) [61082-181009](#) [622-3653LF](#) [63453-116](#) [636-1030](#) [636-1427](#) [636-3427](#) [636-4007](#) [641938-9](#) [641991-4](#) [644827-2](#) [65817-010LF](#) [65817-015LF](#) [65863-015LF](#) [66207-023LF](#) [67095-007LF](#) [67601157](#) [68645-018](#) [68648-049](#) [70.362.1628.0](#) [70-4210](#) [70-4226B](#) [70-4853B](#) [707-5020](#) [707-5028](#) [71.350.2428.0](#) [71918-208LF](#) [71961-016LF](#) [733-134](#) [733-162](#) [754199-000](#) [760-3052](#) [787-8014-00](#) [79531-3000](#)
[FCN-360C032-B](#) [FCN-367T-T012/H](#) [FCN-723D010/2](#) [80.063.4001.1](#) [800-90-001-10-001000](#) [800-90-010-10-002000](#) [801-43-002-10-013000](#)