

THIS DRAWING IS UNPUBLISHED. RELEASED FOR PUBLICATION  
 © COPYRIGHT - By - ALL RIGHTS RESERVED.

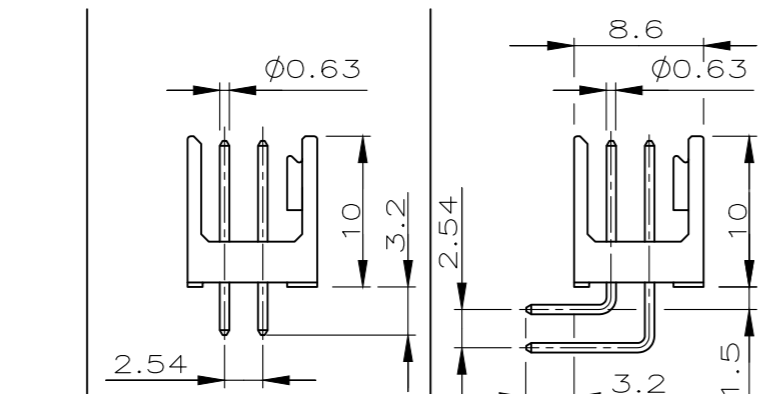
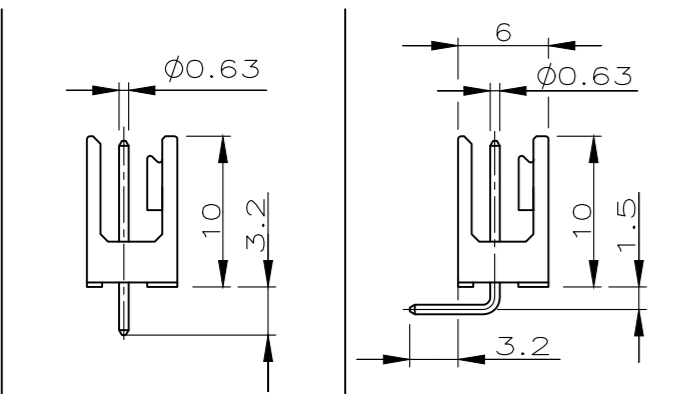
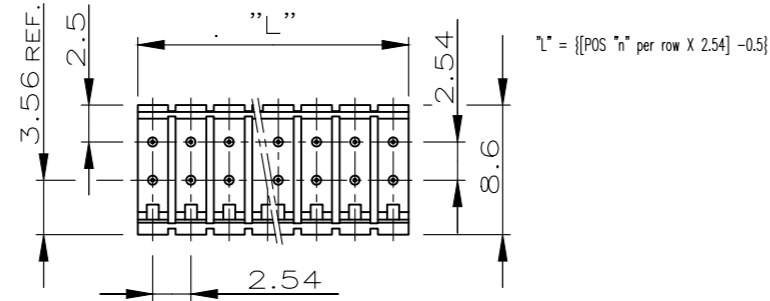
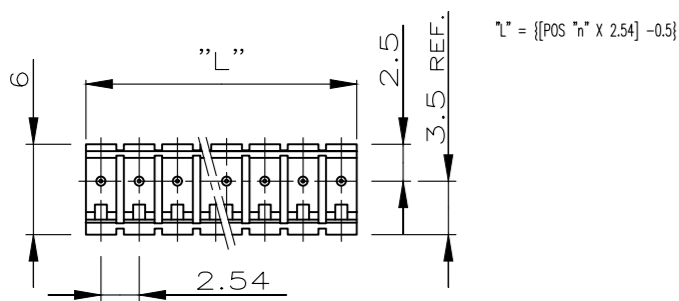
REVISIONS				
P	LTR	DESCRIPTION	DATE	APVD
	Y1	PART STAUTS UPDATED.	03JAN2018	RK PS

# MODU II SHROUDED POSTS

## MODU II Stiftleiste

SINGLE ROW 3 TO 50 POS.  
Einreihig 3 bis 50 pol.

DOUBLE ROW 2x3 TO 2x50 POS.  
Zweireihig 2x3 bis 2x50 pol.

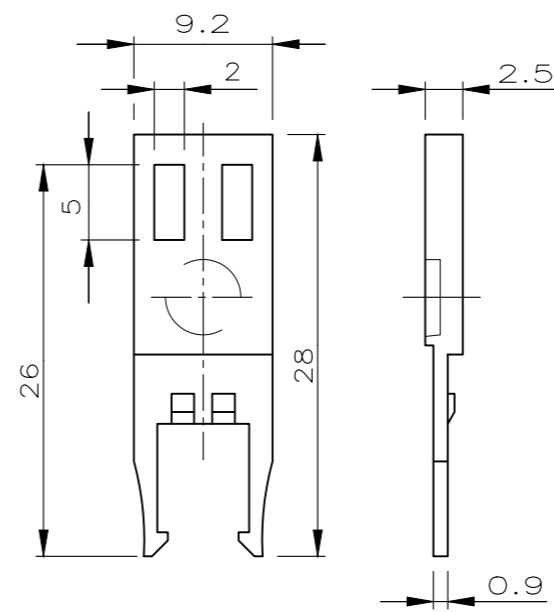
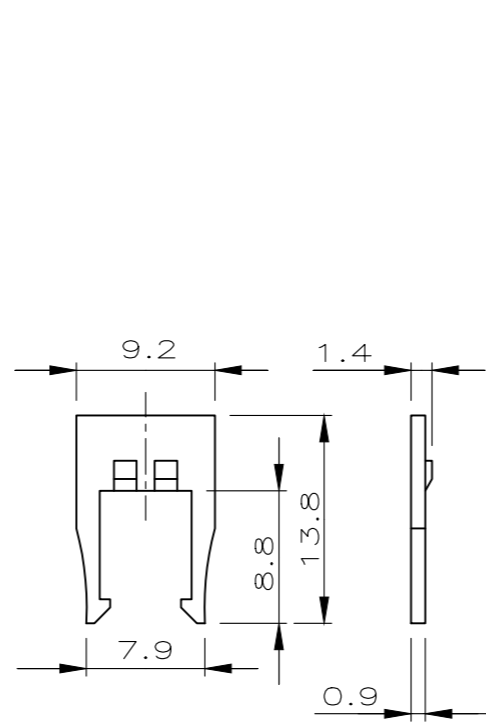


## RETENTION PLUG

Rastgabel

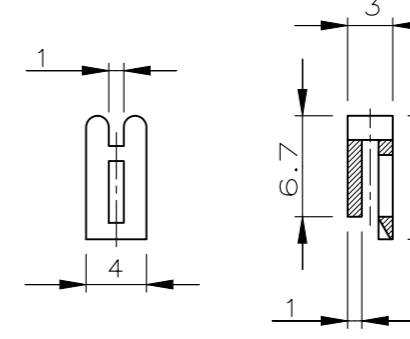
## RETENTION PLUG WITH STRAIN RELIEF

Rastgabel mit Zugentlastung



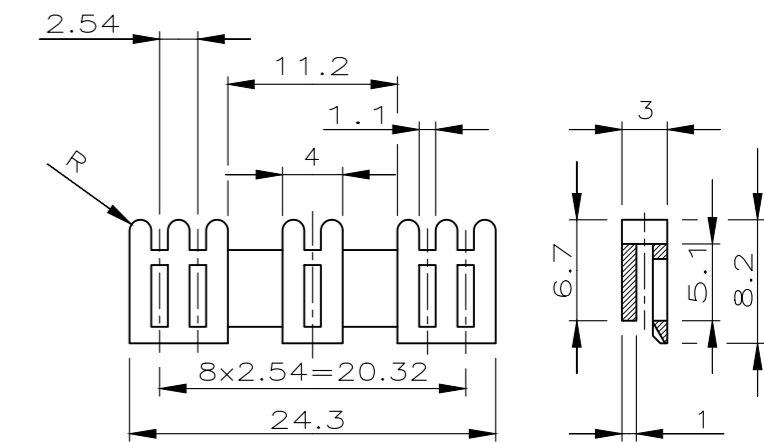
## KEYING PLUG

Kodierstift



## KEYING BLOCK

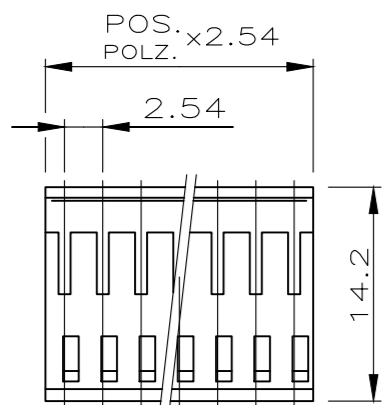
Kodierblock



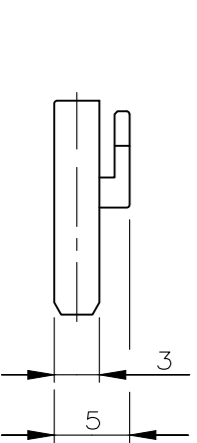
POS.	PART NUMBERS	PART NUMBERS	POS.	PART NUMBERS	PART NUMBERS	PART NUMBERS	COLOUR	PART NUMBERS	COLOUR	PART NUMBERS	COLOUR	PART NUMBERS	COLOUR
3 (2) TO 50	1 826 467-3 BIS	4 826 468-3 BIS	2x3 TO 2x50	1 826 469-3 BIS	1 826 470-2 BIS	926 477-1	BLACK	926 478-1	BLACK	926 498-1	BLACK	927 607-1	BLACK
	5 826 467-0	5 826 468-0		5 826 469-0	5 826 470-0	926 477-2	GREEN	926 478-2	GREEN	926 498-2	GREEN	927 607-2	GREEN
	2 827 295-2 BIS	2 827 296-3 BIS		2 827 297-3 BIS	2 827 298-3 BIS	926 477-3	RED	926 478-3	RED	926 498-3	RED	927 607-3	RED

## MODU IV RECEPTACLE HOUSING

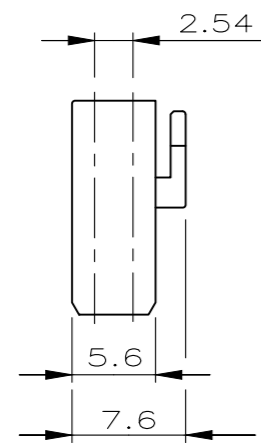
MODU IV Buchsengehäuse



SINGLE ROW  
2 TO 36 POS.  
Einreihig  
2 bis 36 polig.

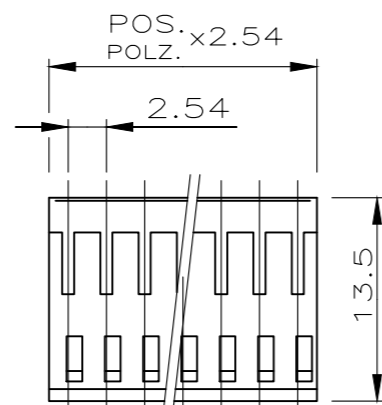


DOUBLE ROW  
2x2 TO 2x36 POS.  
Zweireihig  
2x2 bis 2x36 polig

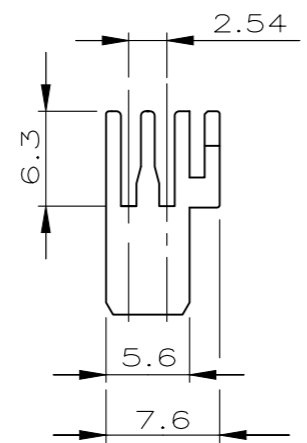


## FFC HOUSING

FFC Gehäuse



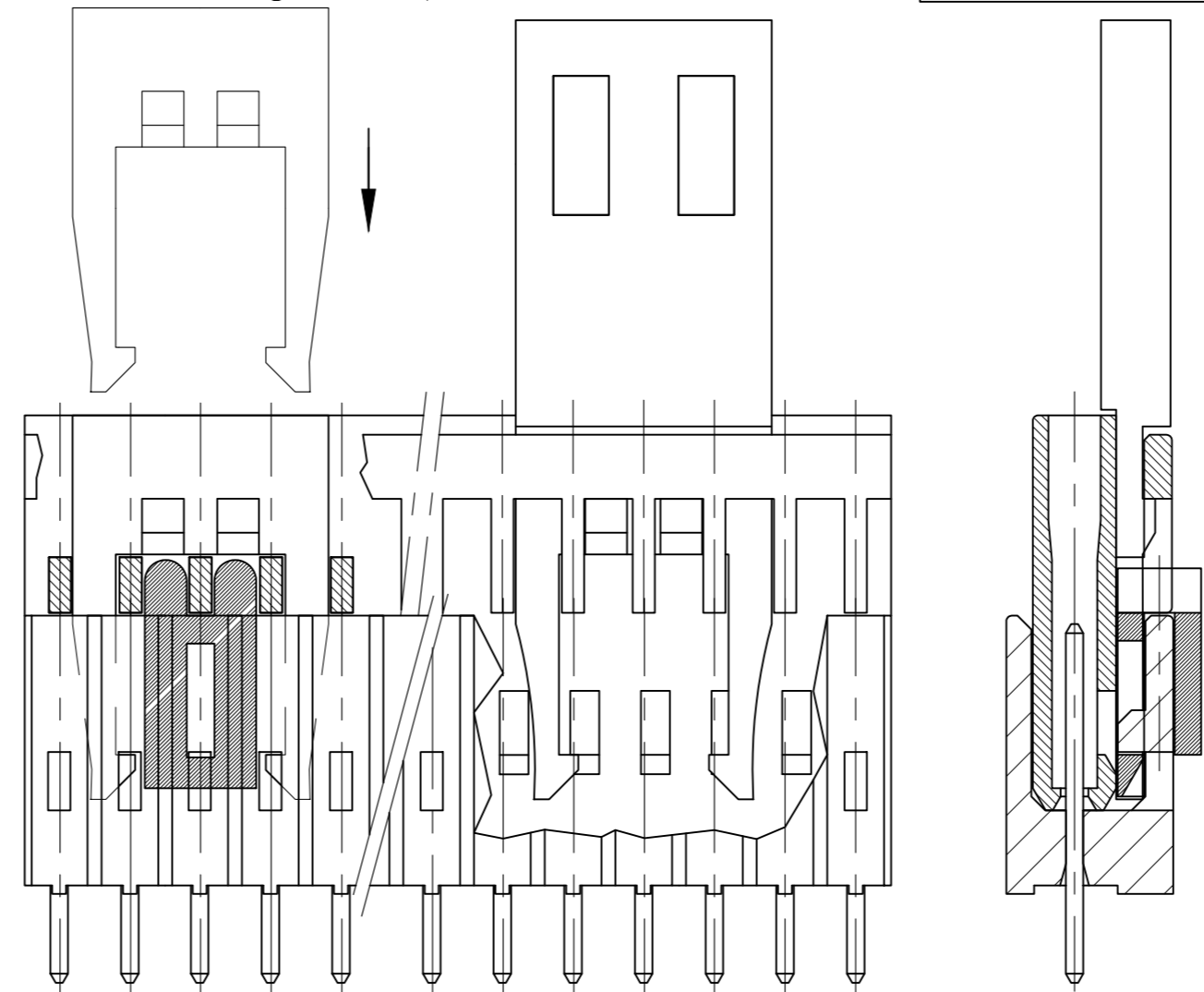
DOUBLE ROW  
2x3 TO 2x13 POS.  
Zweireihig  
2x3 bis 2x13 polig



POS.	PART NUMBERS	POS.	PART NUMBERS	POS.	PART NUMBERS
2 TO 36	926 475-2 3-926 475-6	2x2 TO 2x36	926 476-2 3-926 476-6	2x3 TO 2x13	927 009-3 1-927 009-3

## ASSEMBLED COMPONENTS (FOR EXAMPLE)

Anwendungsbeispiel



1 CONTACT PIN/Kontaktstift: CuZn  
 PLATING MATING AREA:  
 MIN. 0.7µm PdNi + 0.1µm GOLD FLASH OVER  
 1.27µm Ni  
 SOLDER SIDE: MIN 3.0µm Sn OVER 1.27µm Ni

2 CONTACT PIN/Kontaktstift: CuSn  
 PRE TIN PLATED MIN. 2.0µm Sn OVER 1.27µm  
 Ni (PIN TIPS BLANK)  
 Vorverzinnt min. 2.0µm Sn über 1.27µm Ni  
 (Stiftspitzen blank)

MATERIAL:  
 PIN HEADER PCT-GV BLACK/schwarz  
 Stiftgehäuse PCT-GV BLACK/schwarz  
 RECEPTACLE HOUSING PBT-GV BLACK/schwarz  
 Buchsengehäuse PBT-GV BLACK/schwarz  
 RETENTION PLUGS PC-GV  
 Rastgabeln PC-GV  
 KEYING PLUG AND BLOCK PA 6.6 GV  
 Kodierstift, -block PA 6.6 GV  
 FFC HOUSING PBT-GV BLACK/schwarz  
 FFC Gehäuse PBT-GV BLACK/schwarz

3 OBSOLETE PARTS  
 4 OBSOLETE PARTS:OBSOLETE CIS STREAMLINING  
 PER D.RENAUD/D.SINISI

THIS DRAWING IS A CONTROLLED DOCUMENT.		DWN A.HO 08.03.85	TE Connectivity	
DIMENSIONS: mm		CHK M.SCHAARSCHMIDT 02.05.85		
TOLERANCES UNLESS OTHERWISE SPECIFIED: ±0.2mm		APVD	NAME AMPMODU II / AMPMODU IV	
0 PLC ± -		PRODUCT SPEC	SIZE CAGE CODE DRAWING NO RESTRICTED TO	
1 PLC ± -		APPLICATION SPEC	A2 00779 C=826467	
2 PLC ± -		WEIGHT	SCALE 2:1 SHEET 1 OF 2 REV Y1	
3 PLC ± -		CUSTOMER DRAWING		
4 PLC ± -				
ANGLES ± -				
FINISH -				

4

3

2

1

THIS DRAWING IS UNPUBLISHED. RELEASED FOR PUBLICATION  
 © COPYRIGHT - By - ALL RIGHTS RESERVED.

REVISIONS				
P	LTR	DESCRIPTION	DATE	APVD
-	-	SEE SHEET 1	-	-

PN 6-926476-8  
 2x18 POS. AMPMODU IV RECEPTACLE HOUSING  
 2x18 POL. AMPMODU IV BUCHSENGEHÄUSE

PACKAGING  
 Verpackung

PART NUMBER 5-826467-3 INCLUDING 75 PCS. OF PN 826467-3  
 PACKED IN PLASTIC BOX (78mm x 78mm x 45mm)  
 FOR TE-HARRISBURG ONLY

Bestell- Nummer 5-826467-3 enthält 75 Stk. PN 826467-3  
 verpackt in Kunststoffschachtel (78mm x 78mm x 45mm)  
 nur für TE-Harrisburg

THIS DRAWING IS A CONTROLLED DOCUMENT.		DWN M.SCHAARSCHMIDT 27.09.85		
		CHK W.MORITZ 30.09.85		
DIMENSIONS: mm		TOLERANCES UNLESS OTHERWISE SPECIFIED: ±0.2mm		NAME AMPMODU II / AMPMODU IV
		0 PLC ± -	PRODUCT SPEC	SIZE
		1 PLC ± -	APPLICATION SPEC	CAGE CODE
		2 PLC ± -	WEIGHT	DRAWING NO
		3 PLC ± -	CUSTOMER DRAWING	RESTRICTED TO
MATERIAL		FINISH	SCALE	SHEET
			2:1	2 OF 2
			REV	Y1

1471-9 (1/15)

826467

## X-ON Electronics

Largest Supplier of Electrical and Electronic Components

*Click to view similar products for [Headers & Wire Housings](#) category:*

*Click to view products by [TE Connectivity](#) manufacturer:*

Other Similar products are found below :

[892-18-020-10-001101](#) [58102-G61-06LF](#) [582553-1](#) [0009485154](#) [009176003701906](#) [0050291907](#) [LY20-4P-DT1-P1E-BR](#) [02.125.8002.8](#)  
[609-3404](#) [61062-3](#) [61082-181009](#) [622-3653LF](#) [63453-116](#) [636-1030](#) [636-1427](#) [636-3427](#) [636-4007](#) [641938-9](#) [641991-4](#) [644827-2](#) [65817-010LF](#) [65817-015LF](#) [65863-015LF](#) [66207-023LF](#) [67095-007LF](#) [67601157](#) [68645-018](#) [68648-049](#) [70.362.1628.0](#) [70-4210](#) [70-4226B](#) [70-4853B](#) [707-5020](#) [707-5028](#) [71.350.2428.0](#) [71918-208LF](#) [71961-016LF](#) [733-134](#) [733-162](#) [754199-000](#) [760-3052](#) [787-8014-00](#) [79531-3000](#)  
[FCN-360C032-B](#) [FCN-367T-T012/H](#) [FCN-723D010/2](#) [80.063.4001.1](#) [800-90-001-10-001000](#) [800-90-010-10-002000](#) [801-43-002-10-013000](#)