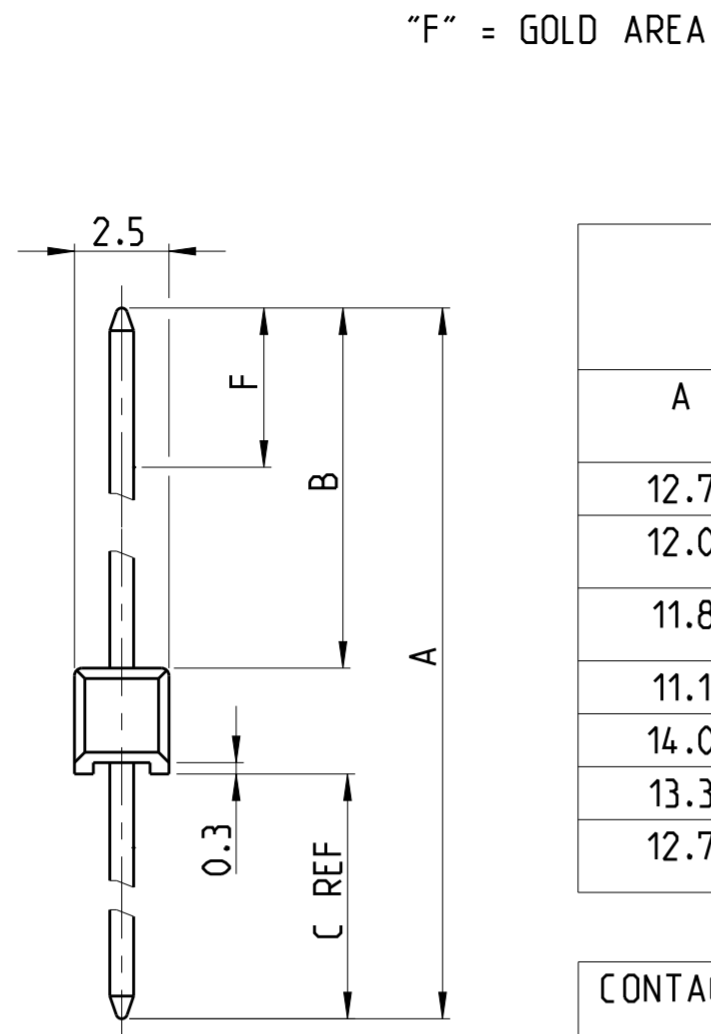
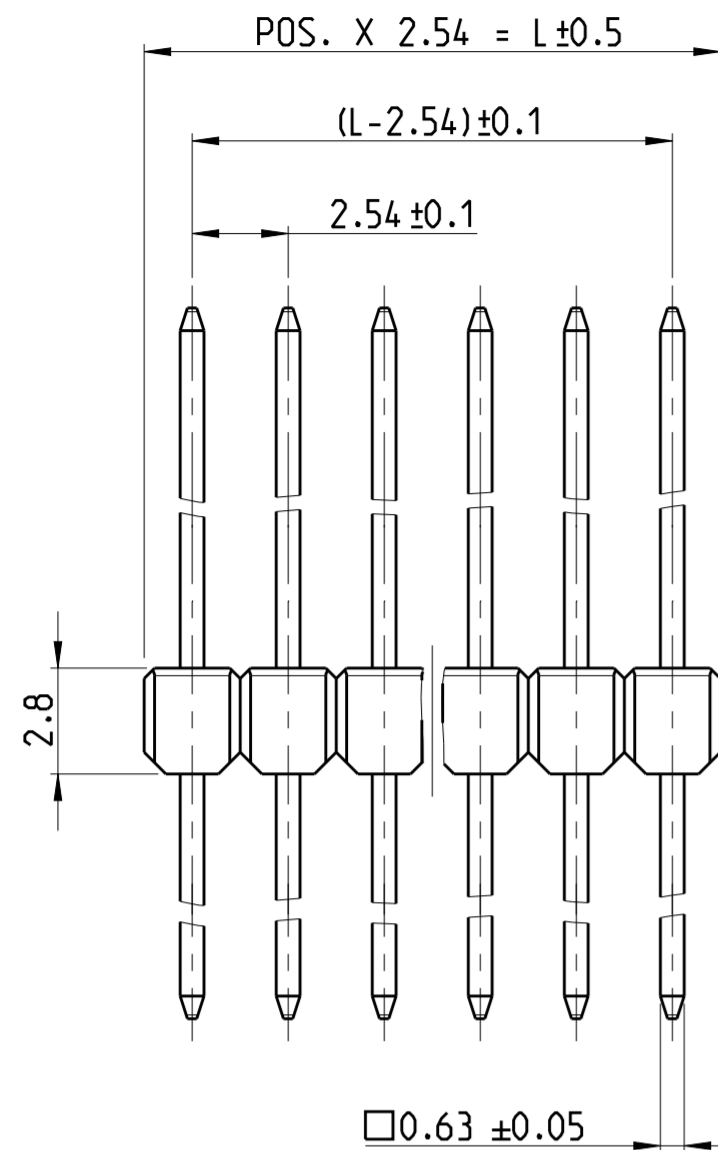


THIS DRAWING IS UNPUBLISHED. RELEASED FOR PUBLICATION 2019  
 © COPYRIGHT 2019 BY: TE CONNECTIVITY ALL RIGHTS RESERVED.

| REVISIONS |     |                                    |           |       |
|-----------|-----|------------------------------------|-----------|-------|
| P         | LTR | DESCRIPTION                        | DATE      | APVD  |
|           | AC1 | TOLERANCE ADDED FOR DIMENSION 0.63 | 17JUN2019 | SS PS |

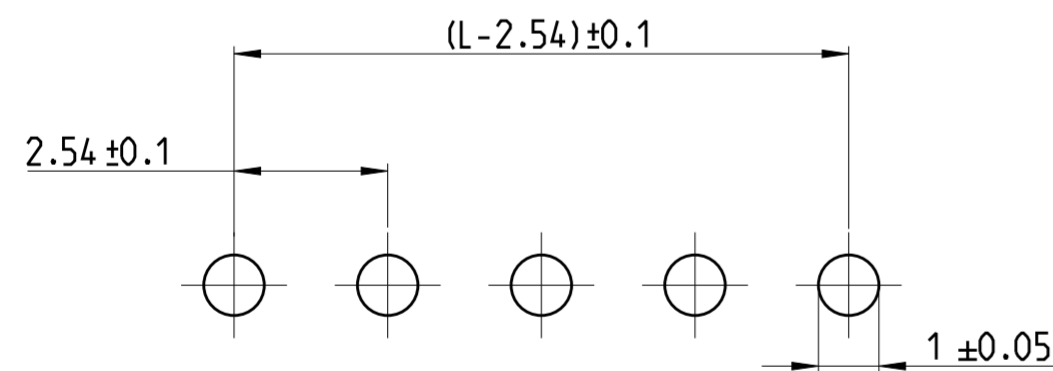


| DIMENSION |     |     |     |   | PART- NO.             |   |   | PART- NO.  |   |   | PART- NO.             |   |   |
|-----------|-----|-----|-----|---|-----------------------|---|---|------------|---|---|-----------------------|---|---|
| A         | B   | C   | F   | - | SELECTIVE GOLD PLATED |   |   | TIN PLATED |   |   | SELECTIVE GOLD PLATED |   |   |
|           |     |     |     |   | 1                     | 5 | 7 | 2          | 5 | 7 | 3                     | 4 | 7 |
| 12.7      | 6.7 | 3.2 | 4.4 | - | 826629                |   |   | 826926     |   |   |                       |   |   |
| 12.0      | 6.7 | 2.5 | 4.4 | - | 826630                |   |   | 826935     |   |   |                       |   |   |
| 11.8      | 5.8 | 3.2 | 4.4 | - | 826646                |   |   | 826936     |   |   | 829070                |   |   |
| 11.1      | 5.8 | 2.5 | 4.4 | - | 826647                |   |   | 826937     |   |   |                       |   |   |
| 14.0      | 8.0 | 3.2 | 4.4 | - | 826648                |   |   | 826938     |   |   |                       |   |   |
| 13.3      | 8.0 | 2.5 | 4.4 | - | 826649                |   |   | 826939     |   |   |                       |   |   |
| 12.7      | 6.7 | 3.2 | 5.5 | - | -                     |   |   | -          |   |   | 828356                |   |   |

|             |          |                             |
|-------------|----------|-----------------------------|
| CONTACT PIN | CuZn     | SEE TABLE                   |
| PIN HOUSING | PBT GV   | SEE TABLE                   |
| DESCRIPTION | MATERIAL | FABRE/COLOR/PLATING/SURFACE |

NOTES:

- 1 MATING SIDE : AREA "F" MIN 0.7µm PdNi + MIN 0.1µm GOLD OVER 1.27µm NICKEL BY AREA "B"  
SOLDER SIDE: MIN 3µm TIN OVER 1.27µm NICKEL
- 2 MATING AND SOLDER SIDE : MIN 3µm TIN OVER 1.27µm NICKEL
- 3 MATING SIDE: AREA "F" 0.13µm GOLD OVER 1.27µm NICKEL BY AREA "B"  
SOLDER SIDE: MIN 3µm TIN OVER 1.27µm NICKEL
- 4 COLOR OF HOUSING: GREY
- 5 COLOR OF HOUSING: GREEN
- 6 TOLERANCES NOT CUMULATIVE
- 7 THE NUMBER OF POSITION PER ROW HAS TO BE ADDED TO THE BASE NO. AS A DASH NO.  
EG: 2-826629-0 = 20 POSITIONS  
  
THE NUMBER OF POSITIONS PER ROW IS ALSO THE FACTOR FOR THE WEIGHT DETERMINATION  
E.G: 20 X 0.0654 g = 1.308 g
- 8 OBSOLETE

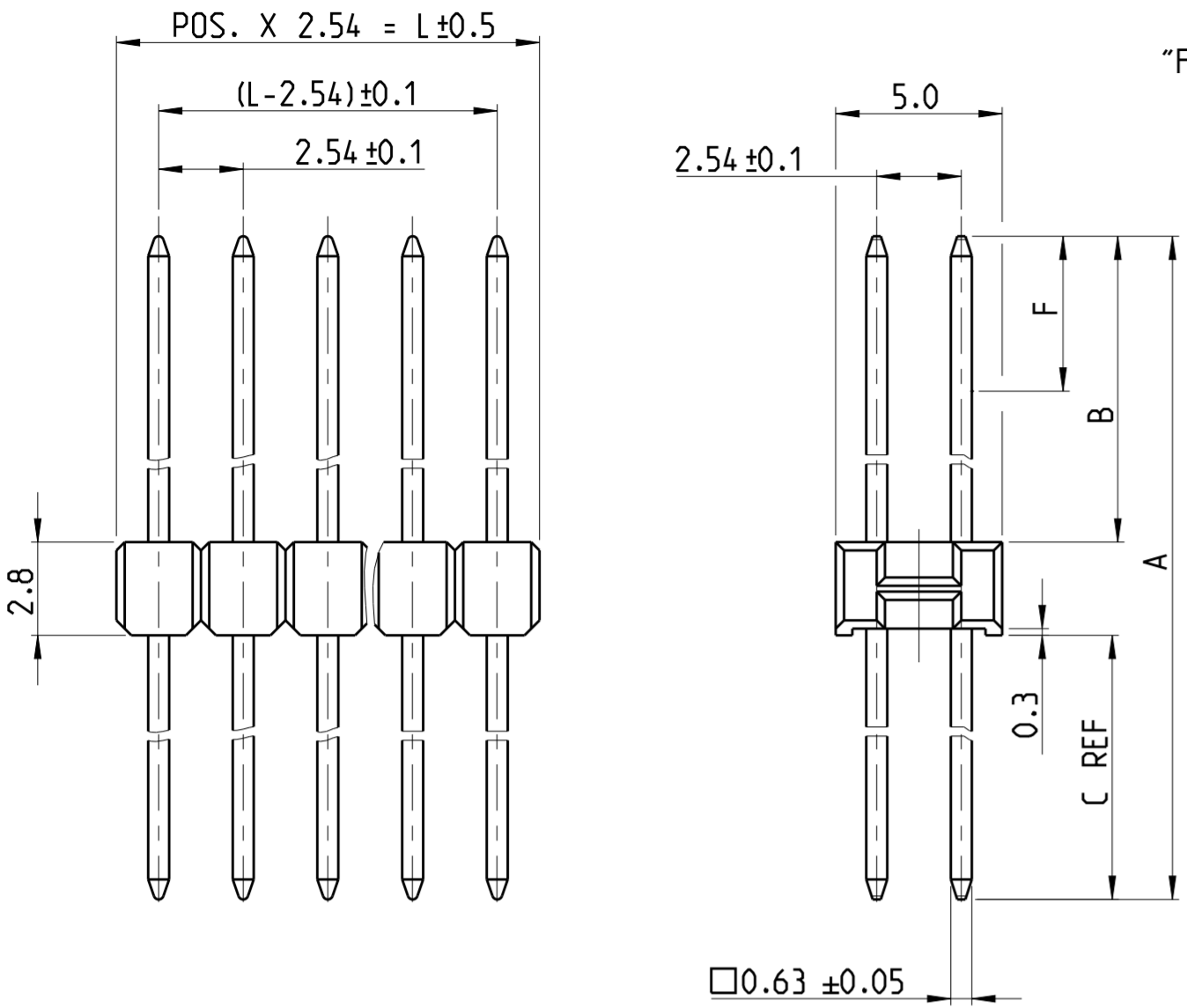


SCALE 8:1  
LAYOUT FOR HOLES ON PCB

|   |  |                            |  |  |
|---|--|----------------------------|--|--|
| THIS DRAWING IS A CONTROLLED DOCUMENT.        |  | DWN G.HOLAUS 10NOV1989     | TE Connectivity  |  |
| DIMENSIONS: mm                                |  | CHK SCHAARSCHMIDT M.       |  |  |
| TOLERANCES UNLESS OTHERWISE SPECIFIED: ±0.2mm |  | APVD -                     | NAME AMPMODU II PIN HEADER, SINGLE ROW, DUAL ROW, VERTICAL AND RIGHT ANGLE MOUNT |  |
| 0 PLC ±                                       |  | PRODUCT SPEC 108-18012     | SIZE CAGE CODE DRAWING NO RESTRICTED TO  |  |
| 1 PLC ±                                       |  | APPLICATION SPEC 114-25011 | A2 00779 C-826629  |  |
| 2 PLC ±                                       |  | WEIGHT -                   | SCALE 5:1 SHEET 1 OF 4 REV AC1   |  |
| 3 PLC ±                                       |  | CUSTOMER DRAWING           |  |  |
| 4 PLC ±                                       |  |                            |  |  |
| ANGLES ±                                      |  |                            |  |  |
| FINISH -                                      |  |                            |  |  |

THIS DRAWING IS UNPUBLISHED. RELEASED FOR PUBLICATION 2019  
 © COPYRIGHT 2019 BY TE CONNECTIVITY ALL RIGHTS RESERVED.

| REVISIONS |     |             |      |      |
|-----------|-----|-------------|------|------|
| P         | LTR | DESCRIPTION | DATE | APVD |
|           |     | SEE SHEET 1 |      |      |

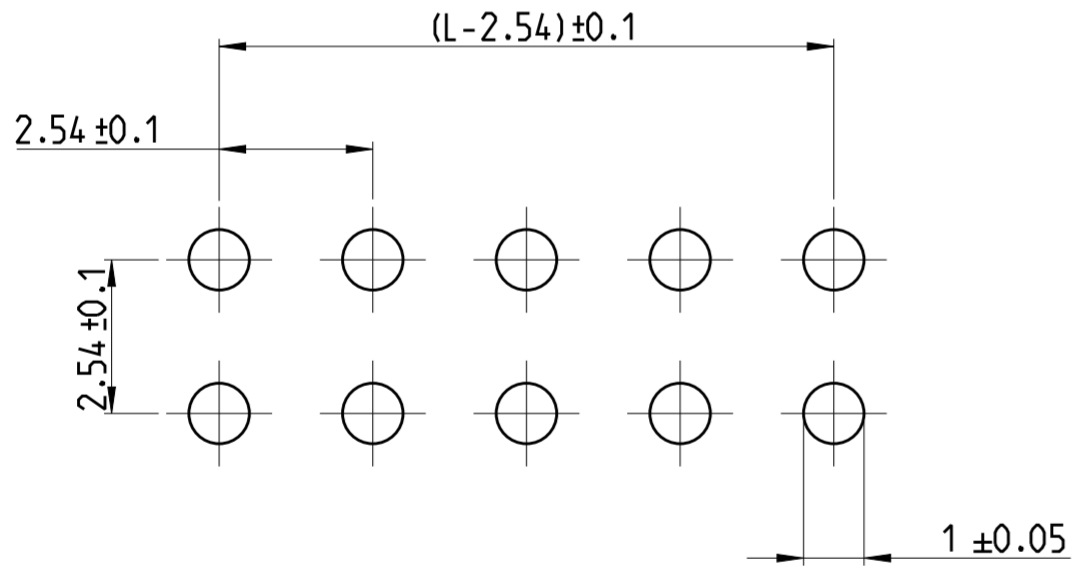


| DIMENSION |     |     |     |   | PART-NO.              |    | PART- NO.  |                     | PART- NO. |                       |    |    |                     |  |
|-----------|-----|-----|-----|---|-----------------------|----|------------|---------------------|-----------|-----------------------|----|----|---------------------|--|
| A         | B   | C   | F   | - | SELECTIVE GOLD PLATED |    | TIN PLATED | WEIGHT POS. PER ROW |           | SELECTIVE GOLD PLATED |    |    | WEIGHT POS. PER ROW |  |
|           |     |     |     |   | △1                    | △5 | △7         | △2                  | △5        | △7                    | △3 | △4 | △7                  |  |
| 12.7      | 6.7 | 3.2 | 5.5 | - | △1                    | △5 | △7         | △2                  | △5        | △7                    | △3 | △4 | △7                  | 826632 0.1276 g 826925 0.1279 g 828420 0.1272 g    |
| 12.0      | 6.7 | 2.5 | 4.4 | - | △1                    | △5 | △7         | △2                  | △5        | △7                    | △3 | △4 | △7                  | 826633 0.1226 g 826941 0.1229 g                    |
| 11.8      | 5.8 | 3.2 | 4.4 | - | △1                    | △5 | △7         | △2                  | △5        | △7                    | △3 | △4 | △7                  | 826656 0.1212 g 826942 0.1217 g △8 828533 0.1209 g |
| 11.1      | 5.8 | 2.5 | 4.4 | - | △1                    | △5 | △7         | △2                  | △5        | △7                    | △3 | △4 | △7                  | 826657 0.1162 g 826943 0.1165 g                    |
| 14.0      | 8.0 | 3.2 | 4.4 | - | △1                    | △5 | △7         | △2                  | △5        | △7                    | △3 | △4 | △7                  | 826658 0.1366 g 826944 0.1370 g                    |
| 13.3      | 8.0 | 2.5 | 4.4 | - | △1                    | △5 | △7         | △2                  | △5        | △7                    | △3 | △4 | △7                  | 826659 0.1316 g △8 826945 0.1323 g                 |

|             |          |                             |
|-------------|----------|-----------------------------|
| CONTACT PIN | CuZn     | SEE TABLE                   |
| PIN HOUSING | PBT GV   | SEE TABLE                   |
| DESCRIPTION | MATERIAL | FABRE/COLOR/PLATING/SURFACE |

NOTES:

- △1 MATING SIDE : AREA "F" MIN 0.7µm PdNi + MIN 0.1µm GOLD OVER 1.27µm NICKEL BY AREA "B"  
SOLDER SIDE: MIN 3µm TIN OVER 1.27µm NICKEL
- △2 MATING AND SOLDER SIDE : MIN 3µm TIN OVER 1.27µm NICKEL
- △3 MATING SIDE: AREA "F" 0.13µm GOLD OVER 1.27µm NICKEL BY AREA "B"  
SOLDER SIDE: MIN 3µm TIN OVER 1.27µm NICKEL
- △4 COLOR OF HOUSING: GREY
- △5 COLOR OF HOUSING: GREEN
- △6 TOLERANCES NOT CUMULATIVE
- △7 THE NUMBER OF POSITION PER ROW HAS TO BE ADDED TO THE BASE NO. AS A DASH NO.  
EG: 2-826632-0 = 20 POSITIONS  
  
THE NUMBER OF POSITIONS PER ROW IS ALSO THE FACTOR FOR THE WEIGHT DETERMINATION  
E.G: 20 X 0.1276 g = 2.552 g
- △8 OBSOLETE

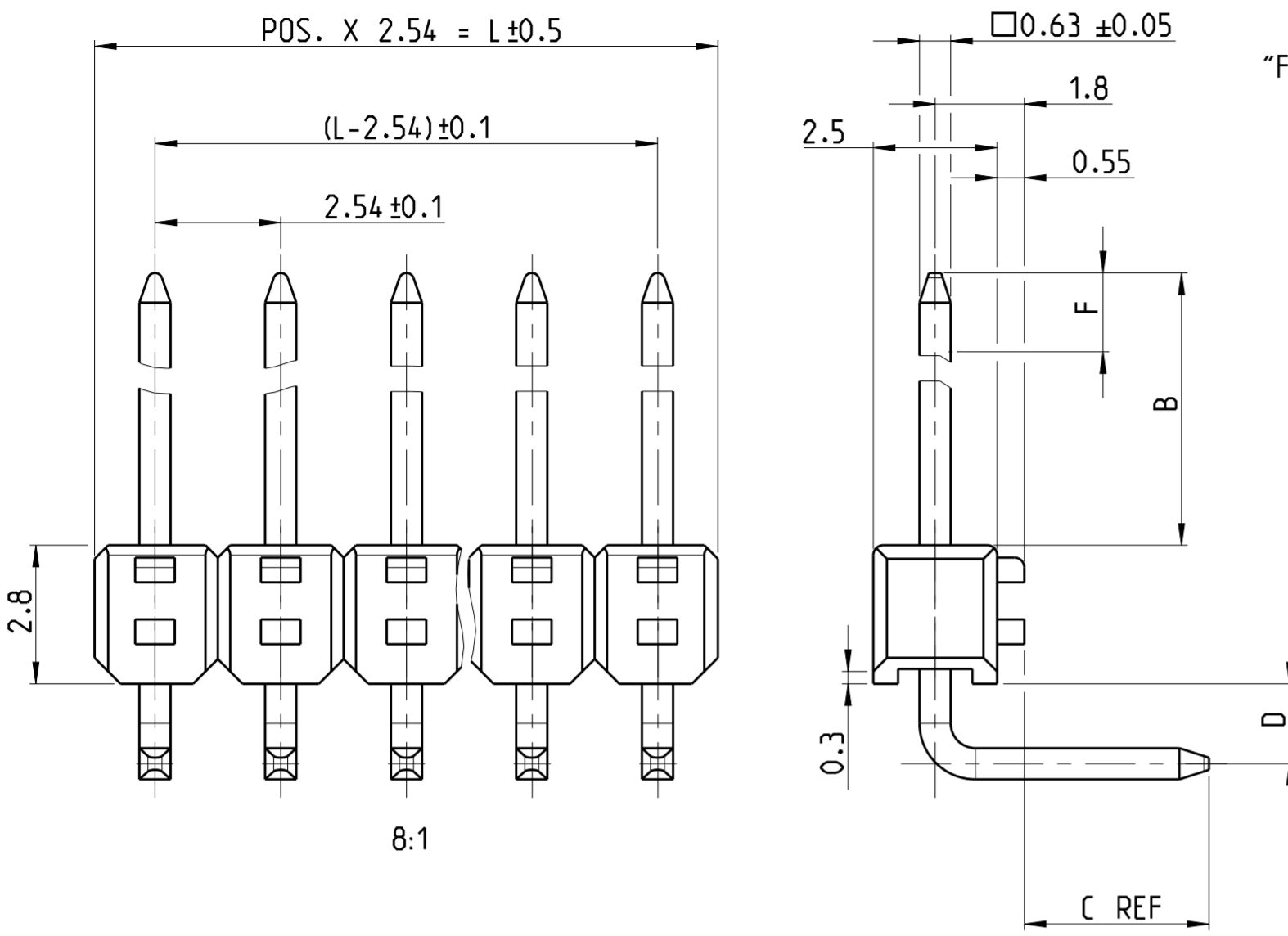


SCALE 8:1  
LAYOUT FOR HOLES ON PCB

|   |  |                            |  |  |
|---|--|----------------------------|--|--|
| THIS DRAWING IS A CONTROLLED DOCUMENT.        |  | DWN G.HOLAUS 10NOV1989     | TE Connectivity  |  |
| DIMENSIONS: mm                                |  | CHK SCHAARSCHMIDT M.       |  |  |
| TOLERANCES UNLESS OTHERWISE SPECIFIED: ±0.2mm |  | APVD -                     | NAME AMPMODU II PIN HEADER, SINGLE ROW, DUAL ROW, VERTICAL AND RIGHT ANGLE MOUNT |  |
| 0 PLC ±                                       |  | PRODUCT SPEC 108-18012     | SIZE CAGE CODE DRAWING NO RESTRICTED TO  |  |
| 1 PLC ±                                       |  | APPLICATION SPEC 114-25011 | A2 00779 C-826629  |  |
| 2 PLC ±                                       |  | WEIGHT -                   | SCALE 5:1 SHEET 2 OF 4 REV AC1   |  |
| 3 PLC ±                                       |  | CUSTOMER DRAWING           |  |  |
| 4 PLC ±                                       |  |                            |  |  |
| ANGLES ±                                      |  |                            |  |  |
| FINISH -                                      |  |                            |  |  |

THIS DRAWING IS UNPUBLISHED. RELEASED FOR PUBLICATION 2019  
 © COPYRIGHT 2019 BY TE CONNECTIVITY ALL RIGHTS RESERVED.

| REVISIONS |     |             |      |      |
|-----------|-----|-------------|------|------|
| P         | LTR | DESCRIPTION | DATE | APVD |
|           |     | SEE SHEET 1 |      |      |



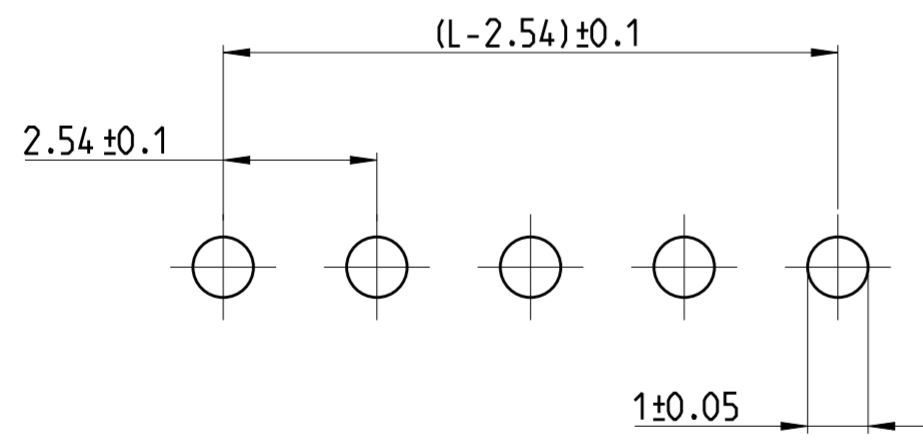
"F" = GOLD AREA

| DIMENSION |     |     |     |   | PART-NO.              |   | PART- NO. |                     | PART- NO. |                       |                     |   |        |   |                     |
|-----------|-----|-----|-----|---|-----------------------|---|-----------|---------------------|-----------|-----------------------|---------------------|---|--------|---|---------------------|
|           |     |     |     |   | SELECTIVE GOLD PLATED |   | 7         | TIN PLATED          | 7         | SELECTIVE GOLD PLATED |                     | 7 |        |   |                     |
| B         | C   | D   | F   | - | 1                     | 5 | 7         | WEIGHT POS. PER ROW | 5         | 7                     | WEIGHT POS. PER ROW | 3 | 4      | 7 | WEIGHT POS. PER ROW |
| 6.7       | 3.2 | 1.3 | 4.4 | - | △                     | △ | △         | 826631              | 0.0757 g  | 826947/2              | 0.0760 g            |   |        |   |                     |
| 6.7       | 2.5 | 1.3 | 4.4 | - |                       |   |           | 826651              | 0.0731 g  | 826948/2              | 0.0735 g            |   |        |   |                     |
| 5.8       | 3.2 | 1.3 | 4.4 | - |                       |   |           | 826652              | 0.0726 g  | 826949/2              | 0.0728 g            | △ | 829071 |   | 0.0726 g            |
| 5.8       | 2.5 | 1.3 | 4.4 | - |                       |   |           | 826653              | 0.0701 g  | 826950/2              | 0.0704 g            |   |        |   |                     |
| 8.0       | 3.2 | 1.3 | 4.4 | - |                       |   |           | 826654              | 0.0803 g  | 826951/2              | 0.0807 g            |   |        |   |                     |
| 8.0       | 2.5 | 1.3 | 4.4 | - |                       |   |           | 826655              | 0.0777 g  | △ 826952/10           | 0.0782 g            |   |        |   |                     |
| 6.7       | 3.2 | 1.3 | 5.5 | - |                       |   |           | -                   | -         | -                     | -                   | △ | 828419 |   | 0.0758 g            |

|             |                    |                             |
|-------------|--------------------|-----------------------------|
| CONTACT PIN | CuZn               | SEE TABLE                   |
| CONTACT PIN | CuSn6 <sub>9</sub> | SEE TABLE                   |
| PIN HOUSING | PBT GV             | SEE TABLE                   |
| DESCRIPTION | MATERIAL           | FABRE/COLOR/PLATING/SURFACE |

NOTES:

- 1 MATING SIDE : AREA "F" MIN 0.7µm PdNi + MIN 0.1µm GOLD OVER 1.27µm NICKEL BY AREA "B"  
SOLDER SIDE: MIN 3µm TIN OVER 1.27µm NICKEL
- 2 MATING AND SOLDER SIDE : MIN 3µm TIN OVER 1.27µm NICKEL
- 3 MATING SIDE: AREA "F" 0.13µm GOLD OVER 1.27µm NICKEL BY AREA "B"  
SOLDER SIDE: MIN 3µm TIN OVER 1.27µm NICKEL
- 4 COLOR OF HOUSING: GREY
- 5 COLOR OF HOUSING: GREEN
- 6 TOLERANCES NOT CUMULATIVE
- 7 THE NUMBER OF POSITION PER ROW HAS TO BE ADDED TO THE BASE NO. AS A DASH NO.  
EG: 2-826631-0 = 20 POSITIONS  
  
THE NUMBER OF POSITIONS PER ROW IS ALSO THE FACTOR FOR THE WEIGHT DETERMINATION  
E.G: 20 X 0.0757 g = 1.514 g
- 8 OBSOLETE
- 10 MATING AND SOLDER SIDE : 2µm TIN OVER 1.27µm NICKEL

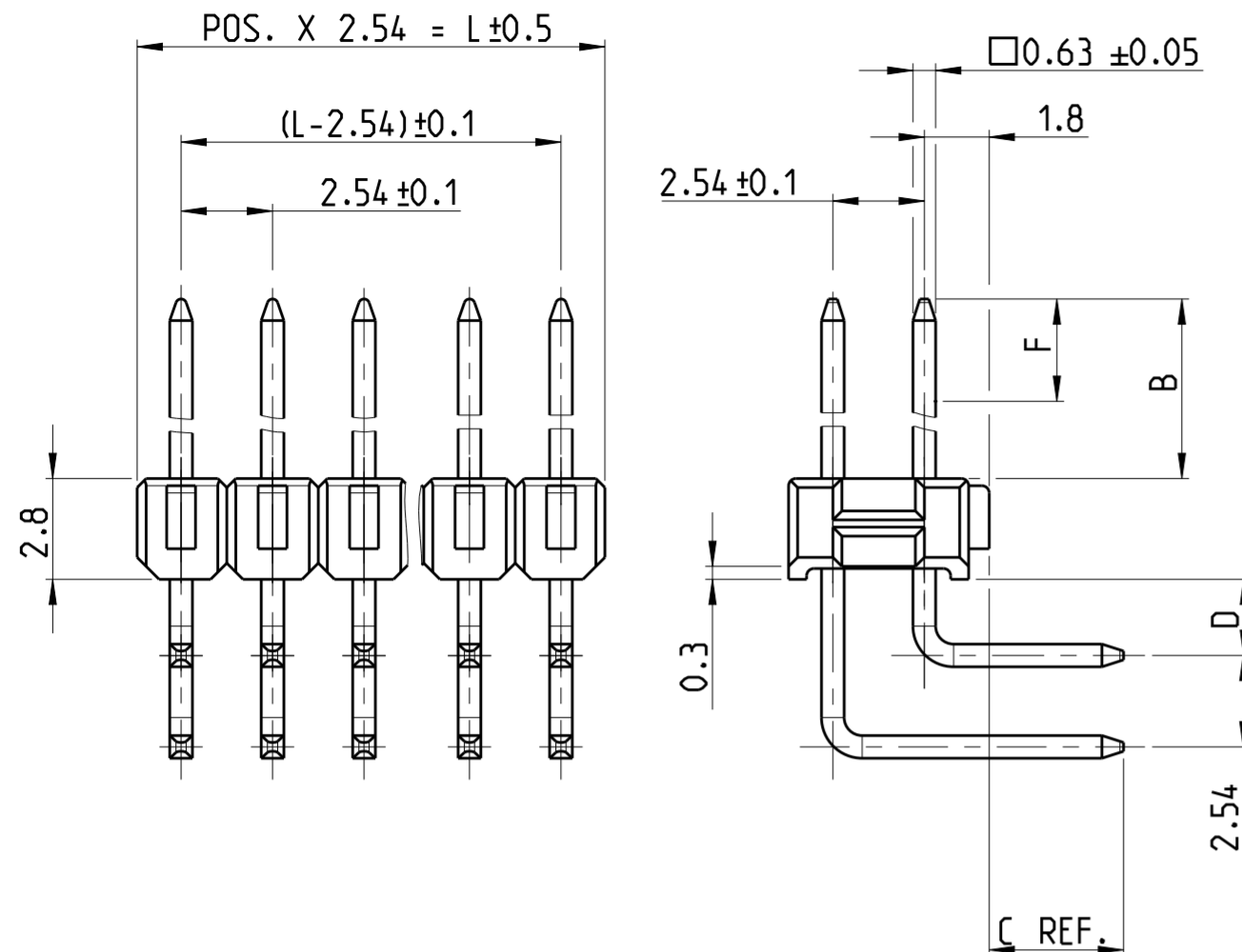


SCALE 8:1  
LAYOUT FOR HOLES ON PCB

|   |  |                        |  |  |
|---|--|------------------------|--|--|
| THIS DRAWING IS A CONTROLLED DOCUMENT.        |  | DWN G.HOLAUS 10NOV1989 | TE Connectivity  |  |
| DIMENSIONS: mm                                |  | CHK SCHAARSCHMIDT M.   |  |  |
| TOLERANCES UNLESS OTHERWISE SPECIFIED: ±0.2mm |  | APVD                   | NAME AMPMODU II PIN HEADER, SINGLE ROW, DUAL ROW, VERTICAL AND RIGHT ANGLE MOUNT |  |
| 0 PLC ±                                       |  | PRODUCT SPEC           | SIZE CAGE CODE DRAWING NO RESTRICTED TO  |  |
| 1 PLC ±                                       |  | 108-18012              | A2 00779 C-826629  |  |
| 2 PLC ±                                       |  | APPLICATION SPEC       | SCALE 5:1 SHEET 3 OF 4 REV AC1   |  |
| 3 PLC ±                                       |  | 114-25011              |  |  |
| 4 PLC ±                                       |  | WEIGHT                 |  |  |
| ANGLES  |  | CUSTOMER DRAWING       |  |  |
| FINISH  |  |                        |  |  |

THIS DRAWING IS UNPUBLISHED. RELEASED FOR PUBLICATION 2019  
 © COPYRIGHT 2019 BY TE CONNECTIVITY ALL RIGHTS RESERVED.

| REVISIONS |     |             |      |      |
|-----------|-----|-------------|------|------|
| P         | LTR | DESCRIPTION | DATE | APVD |
|           |     | SEE SHEET 1 |      |      |
|           |     |             |      |      |
|           |     |             |      |      |



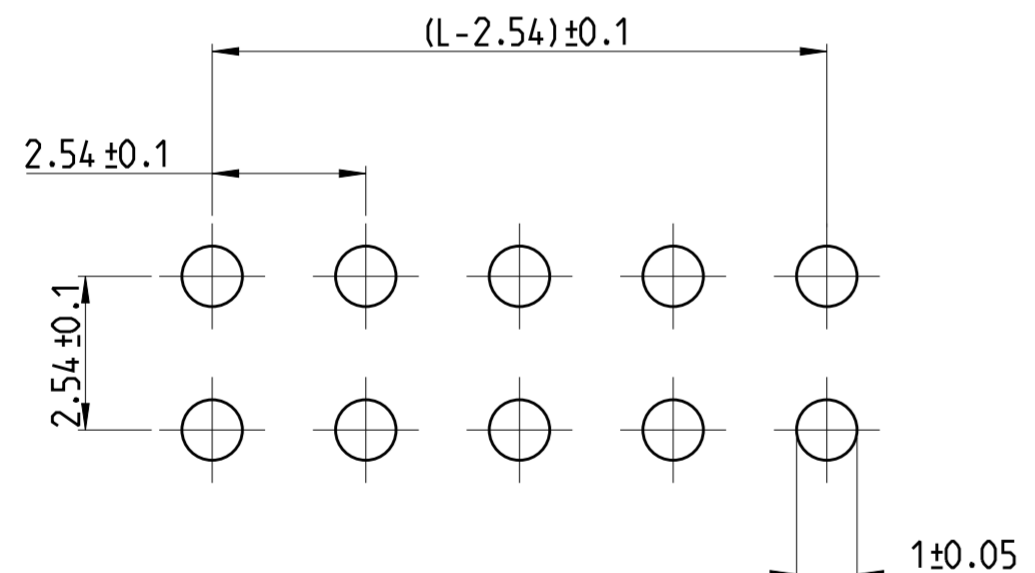
"F" = GOLD AREA

| DIMENSION |     |     |     |   | PART-NO.              |                     | PART- NO. |                     |           | PART- NO.           |                       |  |
|-----------|-----|-----|-----|---|-----------------------|---------------------|-----------|---------------------|-----------|---------------------|-----------------------|--|
|           |     |     |     |   | SELECTIVE GOLD PLATED |                     | △7        | TIN PLATED          |           | △7                  | SELECTIVE GOLD PLATED |  |
| B         | C   | D   | F   | - | △1 △5 △7              | WEIGHT POS. PER ROW | △2 △5 △7  | WEIGHT POS. PER ROW | △3 △4 △7  | WEIGHT POS. PER ROW |                       |  |
| 6.7       | 3.2 | 1.3 | 4.4 | - | 826634                | 0.1646 g            | 826953    | 0.1656 g            | △8 828418 | 0.1651 g            |                       |  |
| 6.7       | 2.5 | 1.3 | 4.4 | - | △8 826661             | 0.1597 g            | △8 826954 | 0.1606 g            |           |                     |                       |  |
| 5.8       | 3.2 | 1.3 | 4.4 | - | 826662                | 0.1587 g            | 826955    | 0.1603 g            | △8 829072 | 0.1587 g            |                       |  |
| 5.8       | 2.5 | 1.3 | 4.4 | - | 826663                | 0.1538 g            | △8 826956 | 0.1542 g            |           |                     |                       |  |
| 8.0       | 3.2 | 1.3 | 4.4 | - | 826664                | 0.1741 g            | 826957    | 0.1749 g            |           |                     |                       |  |
| 8.0       | 2.5 | 1.3 | 4.4 | - | 826665                | 0.1687 g            | △8 826958 | 0.1699 g            |           |                     |                       |  |

|             |          |                             |
|-------------|----------|-----------------------------|
| CONTACT PIN | CuZn     | SEE TABLE                   |
| PIN HOUSING | PBT GV   | SEE TABLE                   |
| DESCRIPTION | MATERIAL | FABRE/COLOR/PLATING/SURFACE |

NOTES:

- △1 MATING SIDE : AREA "F" MIN 0.7µm PdNi + MIN 0.1µm GOLD OVER 1.27µm NICKEL BY AREA "B"  
SOLDER SIDE: MIN 3µm TIN OVER 1.27µm NICKEL
- △2 MATING AND SOLDER SIDE : MIN 3µm TIN OVER 1.27µm NICKEL
- △3 MATING SIDE: AREA "F" 0.13µm GOLD OVER 1.27µm NICKEL BY AREA "B"  
SOLDER SIDE: MIN 3µm TIN OVER 1.27µm NICKEL
- △4 COLOR OF HOUSING: GREY
- △5 COLOR OF HOUSING: GREEN
- △6 TOLERANCES NOT CUMULATIVE
- △7 THE NUMBER OF POSITION PER ROW HAS TO BE ADDED TO THE BASE NO. AS A DASH NO.  
EG: 2-826634-0 = 20 POSITIONS  
  
THE NUMBER OF POSITIONS PER ROW IS ALSO THE FACTOR FOR THE WEIGHT DETERMINATION  
E.G: 20 X 0.1646 g = 3.292 g
- △8 OBSOLETE



SCALE 8:1  
LAYOUT FOR HOLES ON PCB

|   |  |                            |  |                 |
|---|--|----------------------------|--|-----------------|
| THIS DRAWING IS A CONTROLLED DOCUMENT.        |  | DWN G.HOLAUS 10NOV1989     | TE Connectivity  |                 |
| DIMENSIONS: mm                                |  | CHK SCHAARSCHMIDT M.       |  |                 |
| TOLERANCES UNLESS OTHERWISE SPECIFIED: ±0.2mm |  | APVD -                     | NAME AMPMODU II PIN HEADER, SINGLE ROW, DUAL ROW, VERTICAL AND RIGHT ANGLE MOUNT |                 |
| MATERIAL SEE TABLE                            |  | PRODUCT SPEC 108-18012     | SIZE A2  | CAGE CODE 00779 |
| MATERIAL FINISH -                             |  | APPLICATION SPEC 114-25011 | DRAWING NO C-826629  | RESTRICTED TO - |
| CUSTOMER DRAWING                              |  | WEIGHT -                   | SCALE 5:1  | SHEET 4 OF 4    |

## X-ON Electronics

Largest Supplier of Electrical and Electronic Components

*Click to view similar products for [Headers & Wire Housings](#) category:*

*Click to view products by [TE Connectivity](#) manufacturer:*

Other Similar products are found below :

[892-18-020-10-001101](#) [58102-G61-06LF](#) [582553-1](#) [0009485154](#) [009176003701906](#) [0050291907](#) [LY20-4P-DT1-P1E-BR](#) [02.125.8002.8](#)  
[609-3404](#) [61062-3](#) [61082-181009](#) [622-3653LF](#) [63453-116](#) [636-1030](#) [636-1427](#) [636-3427](#) [636-4007](#) [641938-9](#) [641991-4](#) [644827-2](#) [65817-](#)  
[010LF](#) [65817-015LF](#) [65863-015LF](#) [66207-023LF](#) [67095-007LF](#) [67601157](#) [68645-018](#) [68648-049](#) [70.362.1628.0](#) [70-4210](#) [70-4226B](#) [70-](#)  
[4853B](#) [707-5020](#) [707-5028](#) [71.350.2428.0](#) [71918-208LF](#) [71961-016LF](#) [733-134](#) [733-162](#) [754199-000](#) [760-3052](#) [787-8014-00](#) [79531-3000](#)  
[FCN-360C032-B](#) [FCN-367T-T012/H](#) [FCN-723D010/2](#) [80.063.4001.1](#) [800-90-001-10-001000](#) [800-90-010-10-002000](#) [801-43-002-10-013000](#)