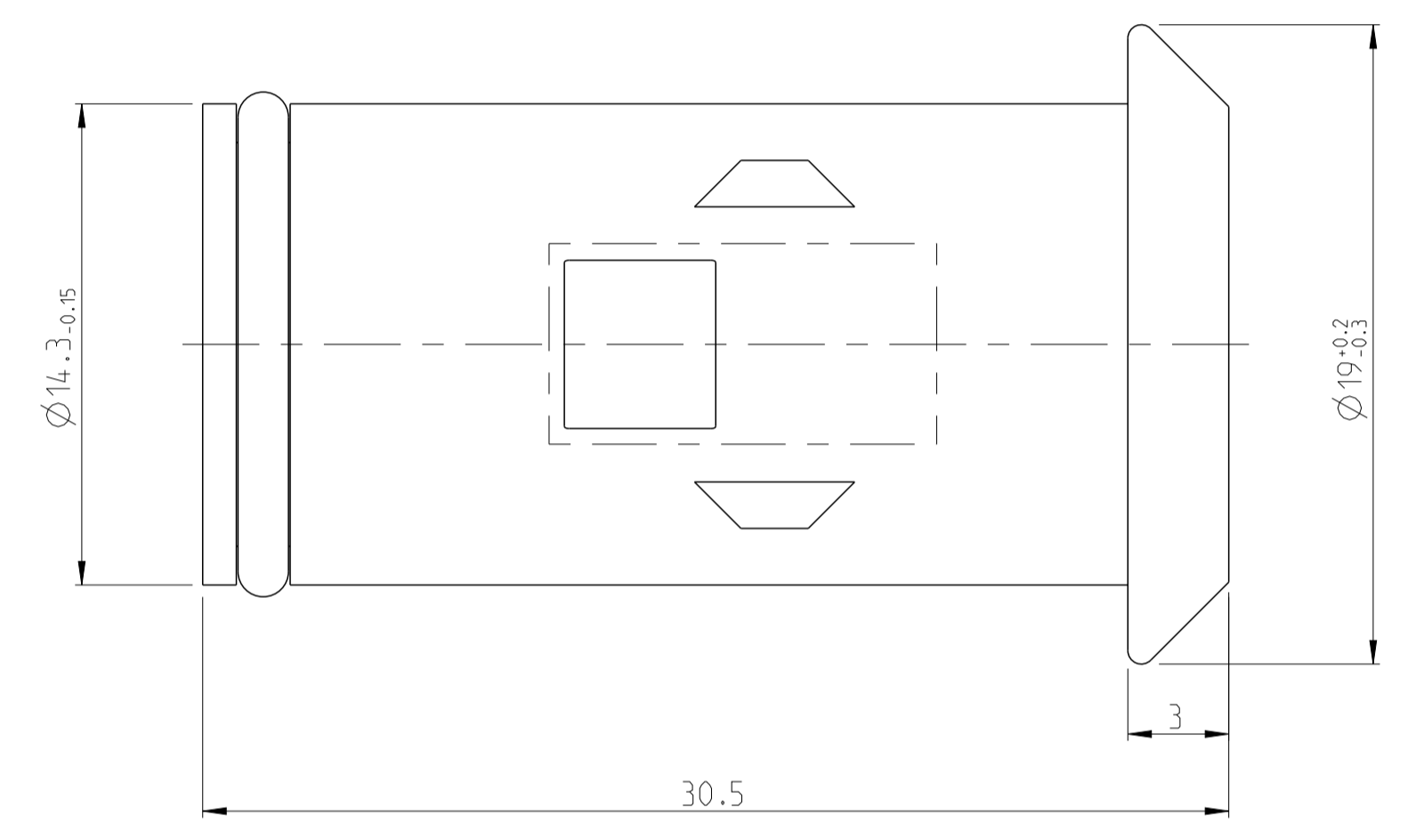
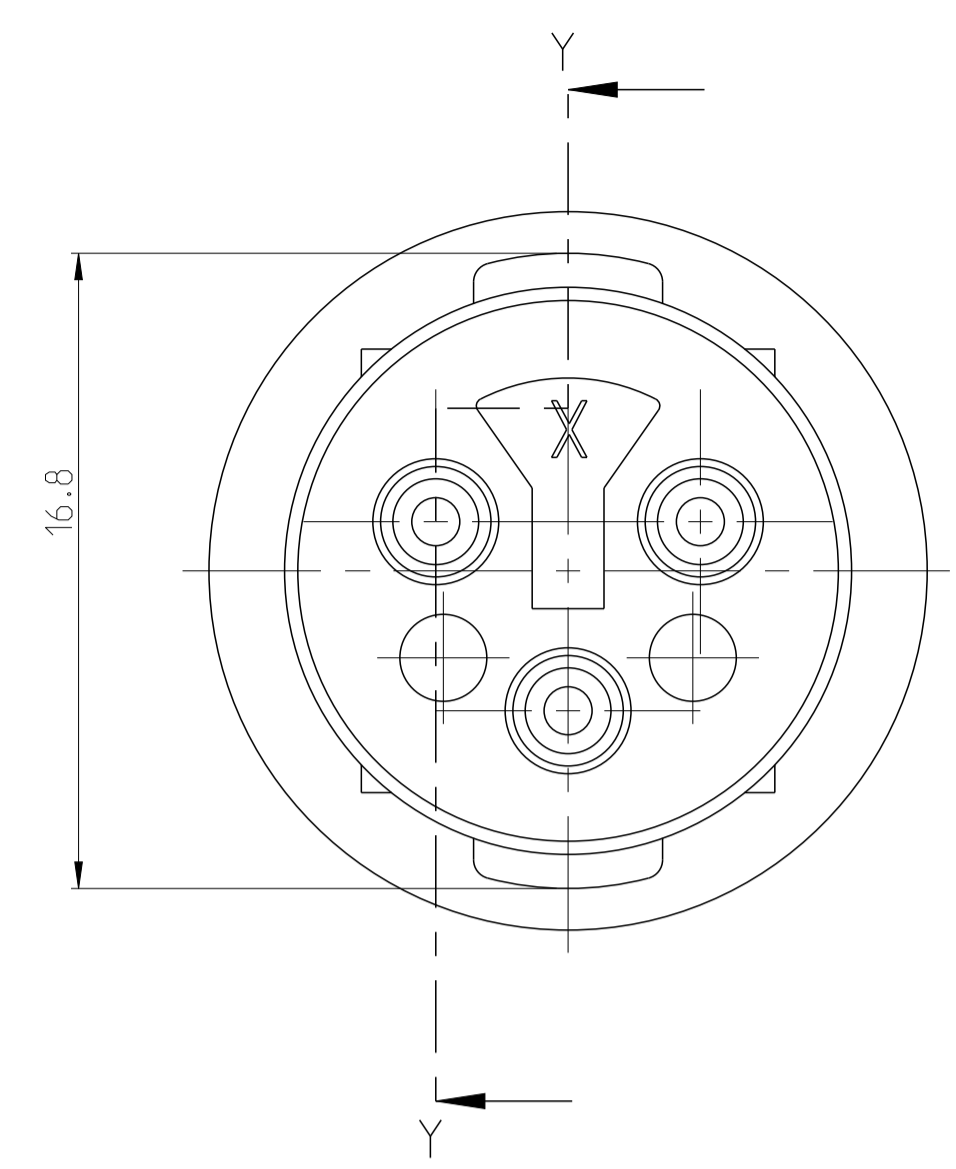
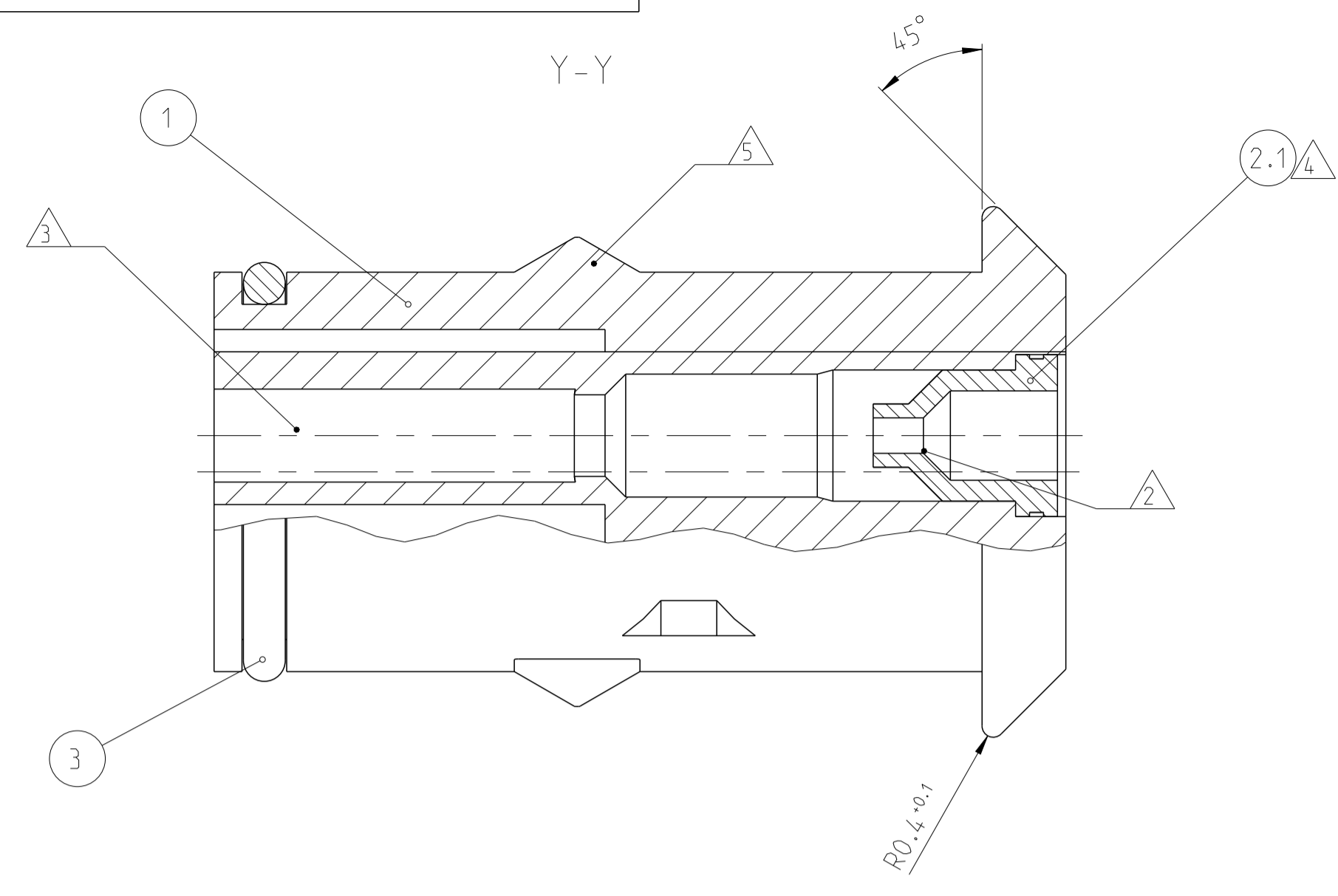


LOC	DIST	REVISIONS			
FM	-	REV	DATE	BY	APPV
		H1	SEE PCN EG00-0656-97	28MAY197	CD AM
		H2	ECR-12-013691	02AUG2012	GB SZG
		H3	ECR-15-002210	05MAR2015	GB SZG
		H4	ECR-16-009474	21JUL2016	LSZ GB

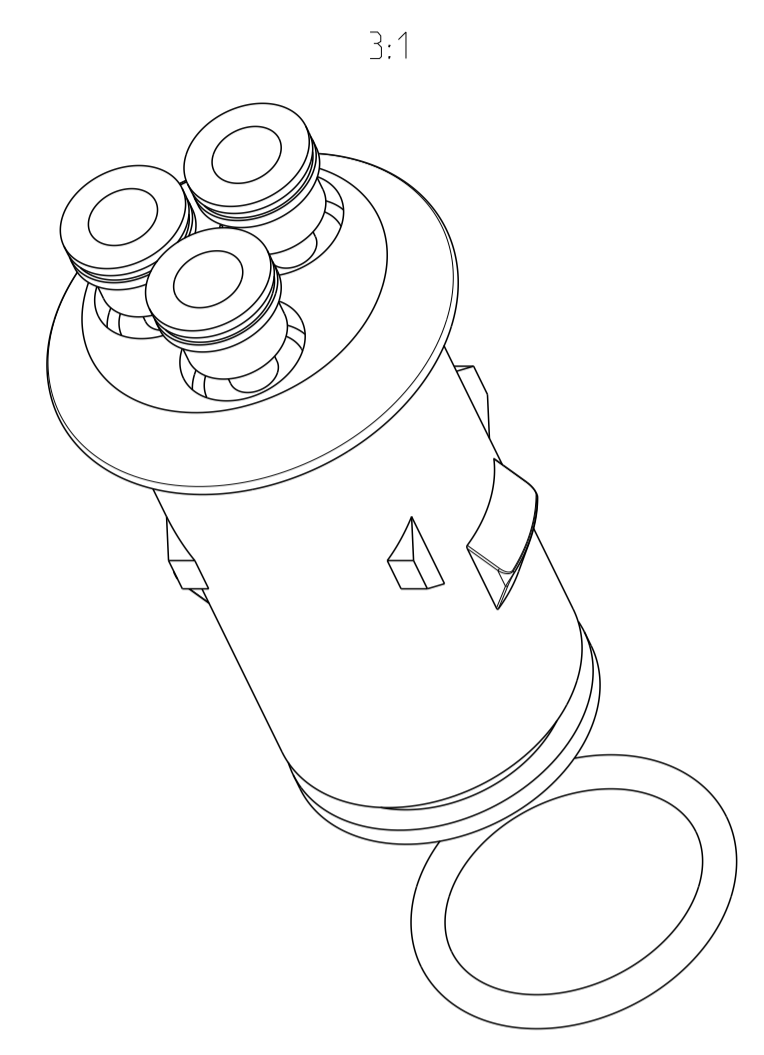
-4 wie gezeichnet
AS SHOWN



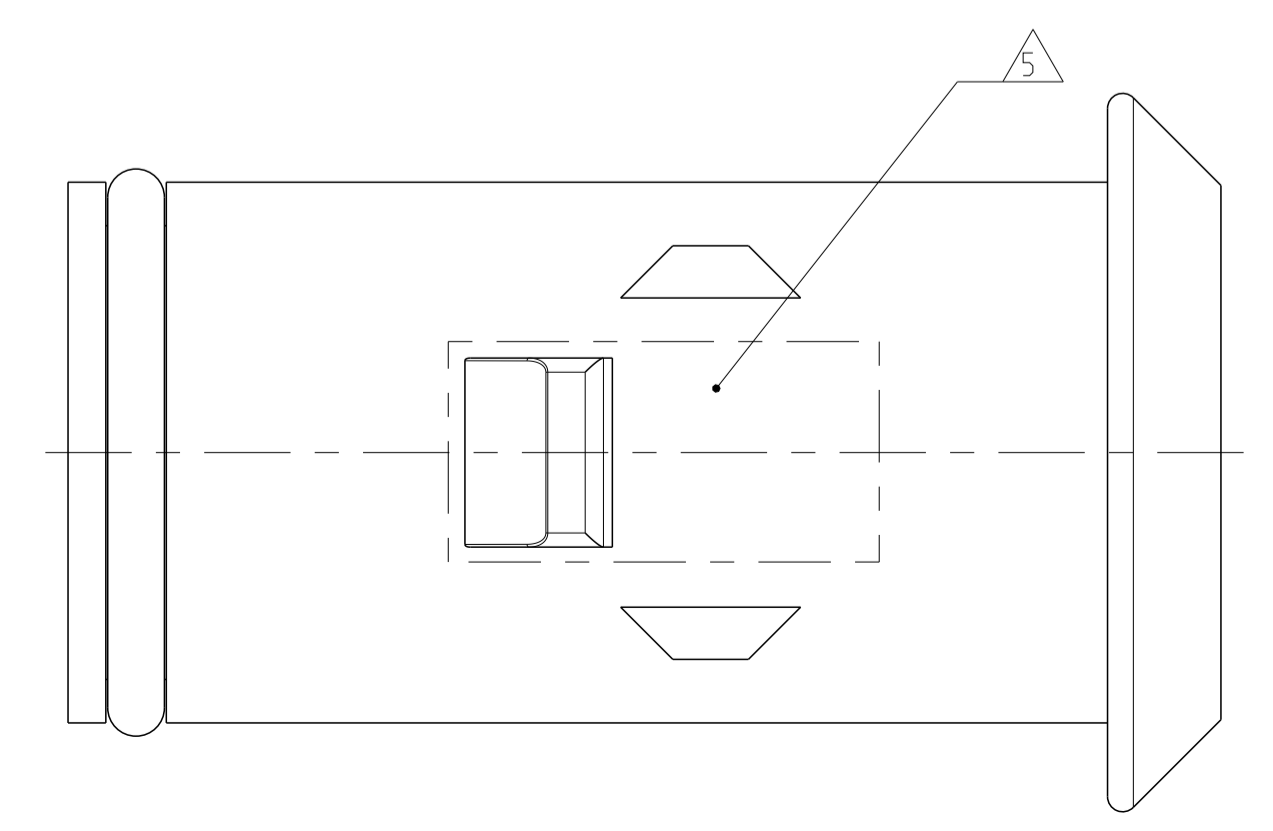
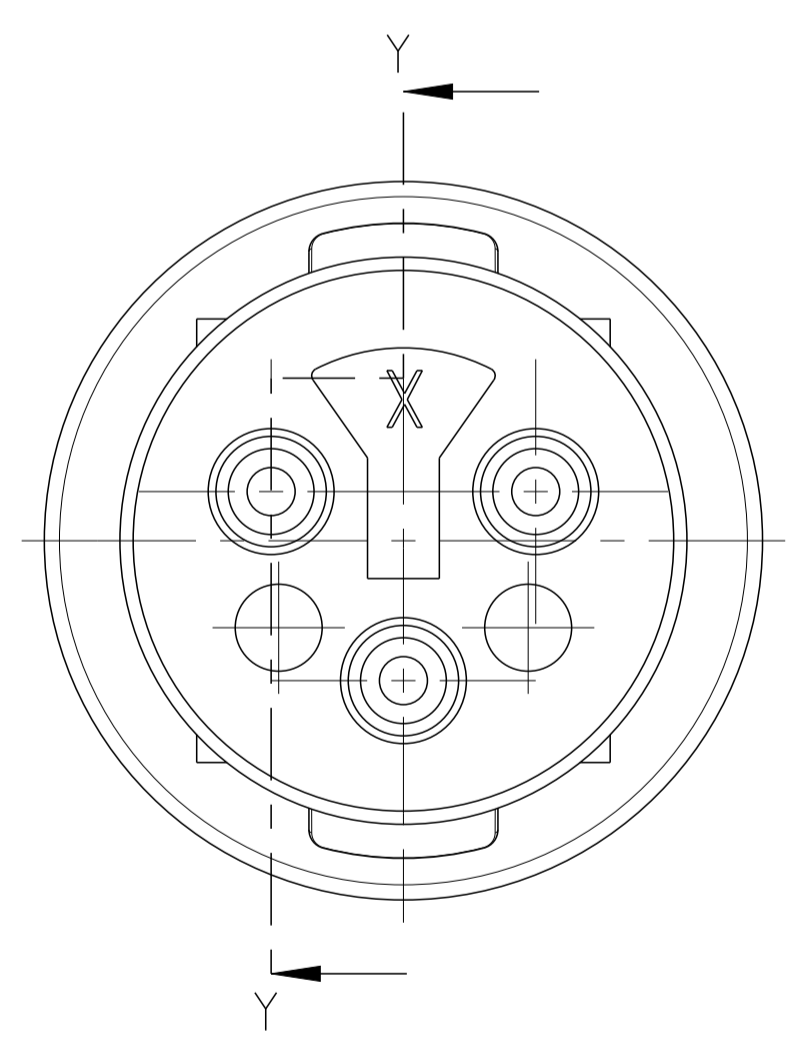
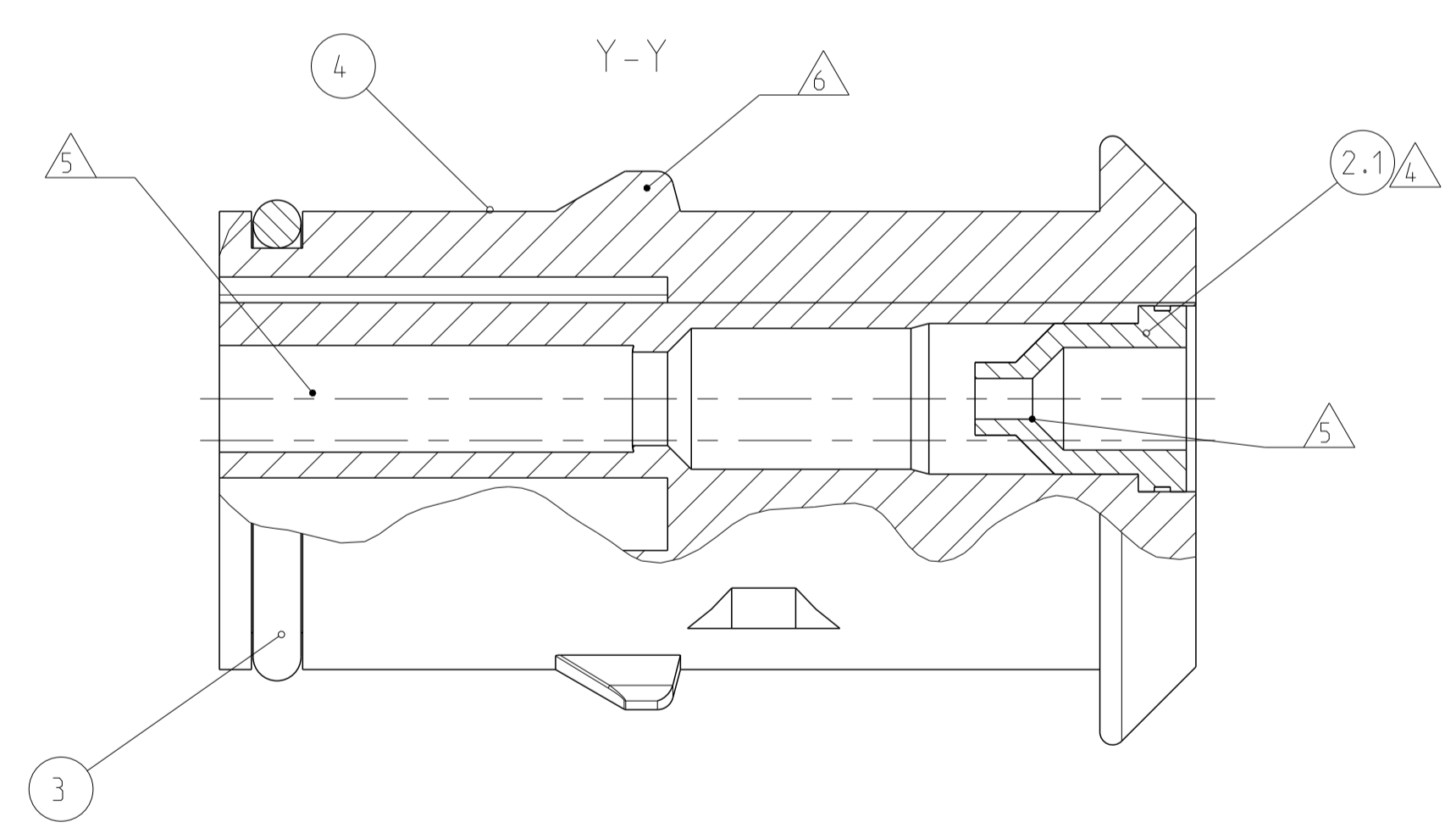
H2 H3

Bemerkungen / Notes:

- Teile in Lupolenbeutel luftdicht verpackt (500/1000 Sctk.)
Parts must be airtight packaged in bags of lupolen (500/1000 pieces)
- Geschmiert mit Gleitmittel Hellerine (Fa. Hellermannnyton) direkt vor dem Einsetzen des Kontaktes
Lubricated with Hellerine 625 (Hellermannnyton) right before contact insertion
- Kammer für Buschsenkontakt CIC, C1-2 od. Type III
Cavity for socket contact CIC, C1-2 or Type III
- Dichtungstülle für Litzenleitung mit Isolationsdurchmesser von 2.3-3.0mm
Seal for wire with isolationdiameter 2.3 - 3.0 mm
- Dichtungstülle für Litzenleitung mit Isolationsdurchmesser von 1.3-2.3 mm
Seal for wire with isolationdiameter 1.3 - 2.3 mm
- Keying Form with the Mating Connector: Click Stop
- Keying Form with the Mating Connector: Locking



1-...-2 wie gezeichnet
AS SHOWN



ACHTUNG !
Eine einwandfreie Funktion dieser Stecker kann nur bei Verwendung von Original-TEC-Teilen und genauer Einhaltung der Verarbeitungsanforderungen - schriftlich garantiert werden.
CAUTION !

A faultless operation of this connectors can be guaranteed only if original TEC parts are used and exact observance of processing specifications.

REV	DESCRIPTION	MATERIAL	COLOUR	QTY.	ITEM NO			
H2	OBSOLETE	2-826886-2	H	SEAL	NEOPRENE	GREY	3	2.1
				O-RING	NEOPRENE	BLACK	1	3
				3 POS. SOCKET HOUSING	PA 6.6 GFV13	GREEN	1	4
				SEAL	NEOPRENE	BLACK	3	2.2
				O-RING	NEOPRENE	BLACK	1	3
				3 POS. SOCKET HOUSING	PA 6.6 GFV13	NATURAL	1	4
				SEAL	NEOPRENE	GREY	3	2.1
				O-RING	NEOPRENE	BLACK	1	3
				3 POS. SOCKET HOUSING	PA 6.6 GFV13	NATURAL	1	4
				SEAL	NEOPRENE	BLACK	3	2.2
				O-RING	NEOPRENE	BLACK	1	3
				3 POS. SOCKET HOUSING	PA 6.6 GFV13	YELLOW	1	4
				SEAL	NEOPRENE	GREY	3	2.1
				O-RING	NEOPRENE	BLACK	1	3
				3 POS. SOCKET HOUSING	PA 6.6 GFV13	YELLOW	1	4
				SEAL	NEOPRENE	GREY	3	2.1
				O-RING	NEOPRENE	BLACK	1	3
				3 POS. SOCKET HOUSING	PA 6.6 GFV13	RED	1	4
				SEAL	NEOPRENE	GREY	3	2.1
				O-RING	NEOPRENE	BLACK	1	3
				3 POS. SOCKET HOUSING	PA 6.6 GFV13	BLACK	1	4
				O-RING	NEOPRENE	BLACK	1	3
				3 POS. SOCKET HOUSING	PA 6.6 GFV13	BLACK	3	2.2
				O-RING	NEOPRENE	BLACK	1	3
				3 POS. SOCKET HOUSING	PA 6.6 GFV13	BLACK	1	1
				SEAL	NEOPRENE	GREY	3	2.1
				O-RING	NEOPRENE	BLACK	1	3
				3 POS. SOCKET HOUSING	PA 6.6 GFV13	RED	1	1
				SEAL	NEOPRENE	GREY	3	2.1
				O-RING	NEOPRENE	BLACK	1	3
				3 POS. SOCKET HOUSING	PA 6.6 GFV13	BLACK	1	1
				O-RING	NEOPRENE	BLACK	1	3
				3 POS. SOCKET HOUSING	PA 6.6 GFV13	BLACK	1	1
				O-RING	NEOPRENE	BLACK	1	3
				3 POS. SOCKET HOUSING	PA 6.6 GFV13	BLACK	1	1

THIS DRAWING IS A CONTROLLED DOCUMENT. DWG: 210CT1982
 CHK: ADAMSKI 25OCT1982
 WENDLING

TE Connectivity

NAME: 3POS. ECONOSEAL SOCKET-HOUSING ASS'Y

SIZE: A1 CAGE CODE: 00779 DRAWING NO: 826886

SCALE: 5:1 SHEET: 1 OF 1 REV: H4

X-ON Electronics

Largest Supplier of Electrical and Electronic Components

Click to view similar products for [Automotive Connectors](#) category:

Click to view products by [TE Connectivity](#) manufacturer:

Other Similar products are found below :

[003-018-000](#) [60403001](#) [60993906-B](#) [M902-2131](#) [M902-2161](#) [72.330.1035.1](#) [73.353.4028.0](#) [F119300-B](#) [F166900](#) [F258300-B](#) [F358300-B](#)
[F407400](#) [F444110](#) [F487000](#) [F509500B-B](#) [827153-1](#) [8N1515-32-24P](#) [9-1326729-8](#) [925474-1](#) [928905-1](#) [964562-4](#) [968782-1](#) [GT17SA-8DS-](#)
[HU](#) [98891-1012](#) [98947-1016](#) [12004147](#) [12004475-L](#) [12010290](#) [12010309-B](#) [12015454](#) [12020219-B](#) [12020308](#) [12041318-B](#) [12052225-L](#)
[12052466](#) [12059125](#) [12064869](#) [12004327-B](#) [12010503-B](#) [12015308](#) [12015384](#) [12015909](#) [1-21030-1](#) [12041254](#) [12041318](#) [12047946-B](#)
[12047957](#) [12047957-L](#) [12059473](#) [12066261](#)