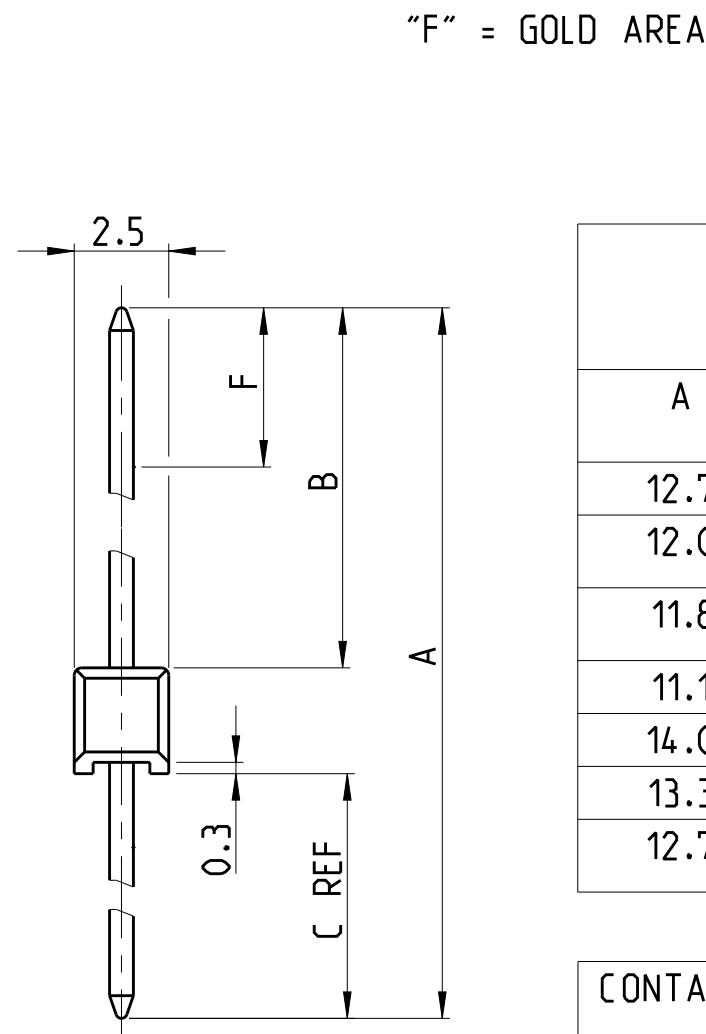
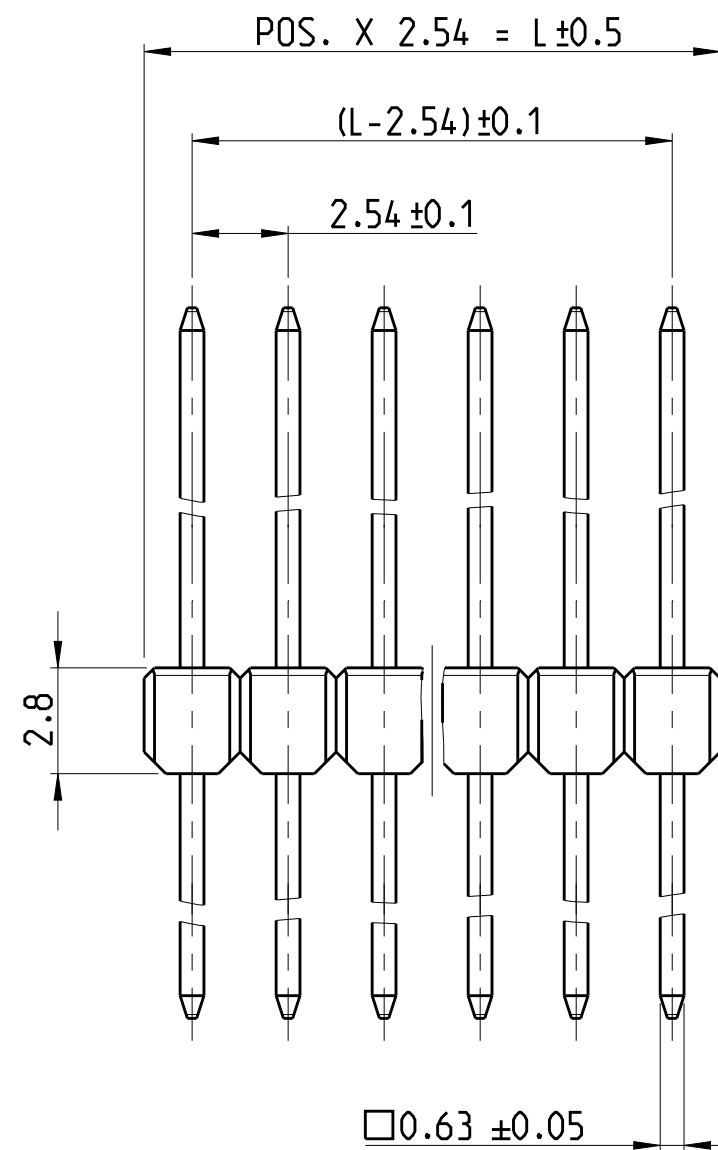


| REVISIONS |      |                                    |           |       |
|-----------|------|------------------------------------|-----------|-------|
| P         | LTR  | DESCRIPTION                        | DATE      | APVD  |
|           | AC 1 | TOLERANCE ADDED FOR DIMENSION 0.63 | 17JUN2019 | SS PS |

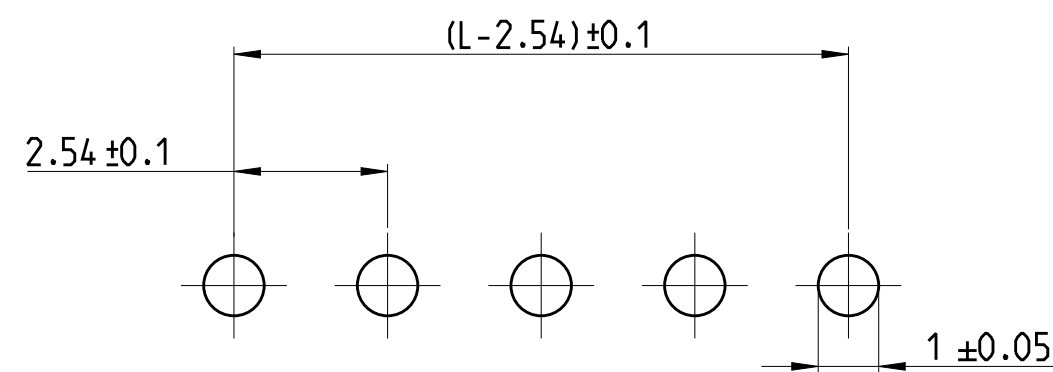


| DIMENSION |     |     |     |   | PART- NO.             |   |   | PART- NO.           |   |   | PART- NO.             |   |   |                     |        |          |
|-----------|-----|-----|-----|---|-----------------------|---|---|---------------------|---|---|-----------------------|---|---|---------------------|--------|----------|
| A         | B   | C   | F   | - | SELECTIVE GOLD PLATED |   |   | TIN PLATED          |   |   | SELECTIVE GOLD PLATED |   |   |                     |        |          |
|           |     |     |     |   | 1                     | 5 | 7 | WEIGHT POS. PER ROW |   |   | WEIGHT POS. PER ROW   |   |   | WEIGHT POS. PER ROW |        |          |
| 12.7      | 6.7 | 3.2 | 4.4 | - | 1                     | 5 | 7 | 2                   | 5 | 7 | 3                     | 4 | 7 |                     |        |          |
| 12.0      | 6.7 | 2.5 | 4.4 | - |                       |   |   | 8                   |   |   |                       |   |   |                     |        |          |
| 11.8      | 5.8 | 3.2 | 4.4 | - |                       |   |   |                     |   |   | 8                     |   |   | 829070              |        | 0.0621 g |
| 11.1      | 5.8 | 2.5 | 4.4 | - |                       |   |   |                     |   |   |                       |   |   |                     |        |          |
| 14.0      | 8.0 | 3.2 | 4.4 | - |                       |   |   |                     |   |   |                       |   |   |                     |        |          |
| 13.3      | 8.0 | 2.5 | 4.4 | - |                       |   |   | 8                   |   |   |                       |   |   |                     |        |          |
| 12.7      | 6.7 | 3.2 | 5.5 | - |                       |   |   |                     |   |   |                       |   |   | 8                   | 828356 | 0.0653 g |

|             |          |                             |
|-------------|----------|-----------------------------|
| CONTACT PIN | CuZn     | SEE TABLE                   |
| PIN HOUSING | PBT GV   | SEE TABLE                   |
| DESCRIPTION | MATERIAL | FABRE/COLOR/PLATING/SURFACE |

NOTES:

- 1 MATING SIDE : AREA "F" MIN 0.7µm PdNi + MIN 0.1µm GOLD OVER 1.27µm NICKEL BY AREA "B"  
SOLDER SIDE: MIN 3µm TIN OVER 1.27µm NICKEL
- 2 MATING AND SOLDER SIDE : MIN 3µm TIN OVER 1.27µm NICKEL
- 3 MATING SIDE: AREA "F" 0.13µm GOLD OVER 1.27µm NICKEL BY AREA "B"  
SOLDER SIDE: MIN 3µm TIN OVER 1.27µm NICKEL
- 4 COLOR OF HOUSING: GREY
- 5 COLOR OF HOUSING: GREEN
- 6 TOLERANCES NOT CUMULATIVE
- 7 THE NUMBER OF POSITION PER ROW HAS TO BE ADDED TO THE BASE NO. AS A DASH NO.  
EG: 2-826629-0 = 20 POSITIONS  
  
THE NUMBER OF POSITIONS PER ROW IS ALSO THE FACTOR FOR THE WEIGHT DETERMINATION  
E.G: 20 X 0.0654 g = 1.308 g
- 8 OBSOLETE

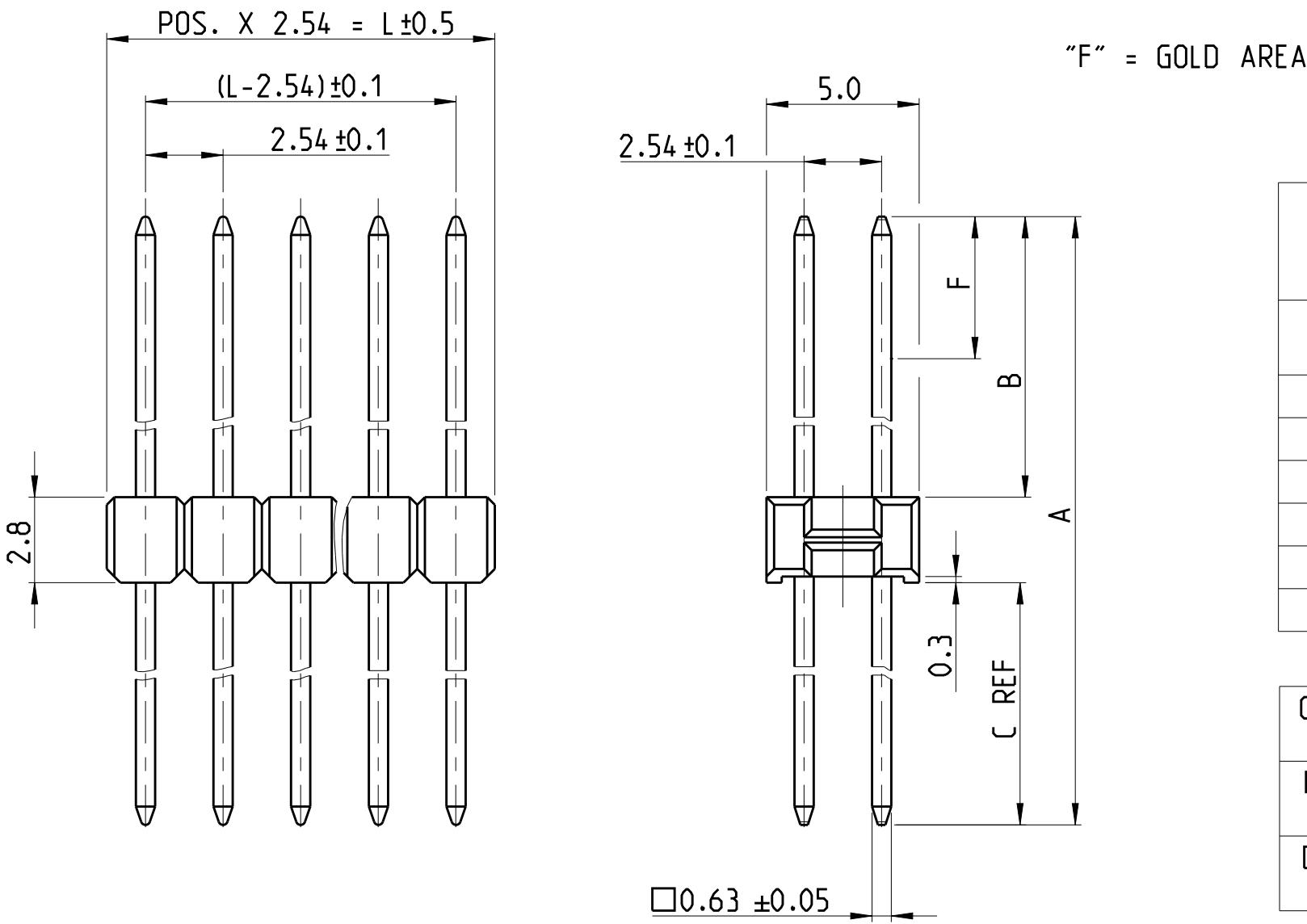


SCALE 8:1  
LAYOUT FOR HOLES ON PCB

|   |  |                            |  |  |
|---|--|----------------------------|--|--|
| THIS DRAWING IS A CONTROLLED DOCUMENT.        |  | DWN G.HOLAUS 10NOV1989     | TE Connectivity  |  |
| DIMENSIONS: mm                                |  | CHK SCHAARSCHMIDT M.       |  |  |
| TOLERANCES UNLESS OTHERWISE SPECIFIED: ±0.2mm |  | APVD -                     | NAME AMPMODU II PIN HEADER, SINGLE ROW, DUAL ROW, VERTICAL AND RIGHT ANGLE MOUNT |  |
| 0 PLC ±                                       |  | PRODUCT SPEC 108-18012     | SIZE CAGE CODE DRAWING NO RESTRICTED TO  |  |
| 1 PLC ±                                       |  | APPLICATION SPEC 114-25011 | A2 00779 C-826629  |  |
| 2 PLC ±                                       |  | WEIGHT -                   | SCALE 5:1 SHEET 1 OF 4 REV AC 1  |  |
| 3 PLC ±                                       |  | CUSTOMER DRAWING           |  |  |
| 4 PLC ±                                       |  |                            |  |  |
| ANGLES ±                                      |  |                            |  |  |
| FINISH -                                      |  |                            |  |  |

THIS DRAWING IS UNPUBLISHED. RELEASED FOR PUBLICATION 2019  
 © COPYRIGHT 2019 BY: TE CONNECTIVITY ALL RIGHTS RESERVED.

| REVISIONS |     |             |      |      |
|-----------|-----|-------------|------|------|
| P         | LTR | DESCRIPTION | DATE | APVD |
|           |     | SEE SHEET 1 |      |      |

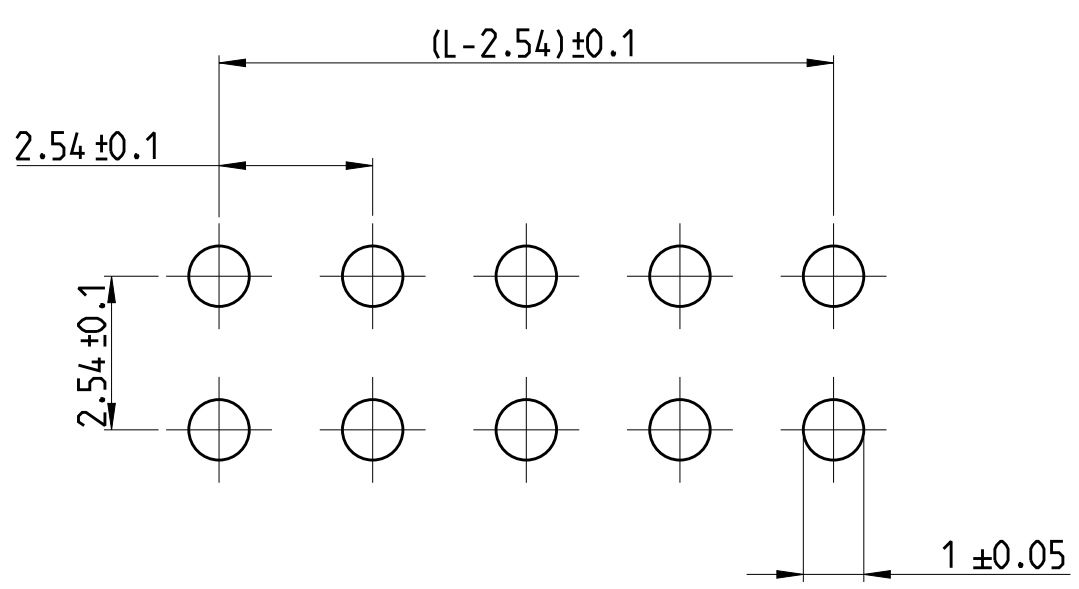


| DIMENSION |     |     |     |   | PART-NO.              |   | PART- NO. |   | PART- NO.  |   |                       |   |   |                     |          |
|-----------|-----|-----|-----|---|-----------------------|---|-----------|---|------------|---|-----------------------|---|---|---------------------|----------|
|           |     |     |     |   | SELECTIVE GOLD PLATED |   |           | 7 | TIN PLATED | 7 | SELECTIVE GOLD PLATED |   |   | 7                   |          |
| A         | B   | C   | F   | - | 1                     | 5 | 7         | 2 | 5          | 7 | 3                     | 4 | 7 | WEIGHT POS. PER ROW |          |
| 12.7      | 6.7 | 3.2 | 5.5 | - |                       |   |           |   |            |   |                       |   |   | 826632              | 0.1276 g |
| 12.0      | 6.7 | 2.5 | 4.4 | - |                       |   |           |   |            |   |                       |   |   | 826633              | 0.1226 g |
| 11.8      | 5.8 | 3.2 | 4.4 | - |                       |   |           |   |            |   |                       |   |   | 826656              | 0.1212 g |
| 11.1      | 5.8 | 2.5 | 4.4 | - |                       |   |           |   |            |   |                       |   |   | 826657              | 0.1162 g |
| 14.0      | 8.0 | 3.2 | 4.4 | - |                       |   |           |   |            |   |                       |   |   | 826658              | 0.1366 g |
| 13.3      | 8.0 | 2.5 | 4.4 | - |                       |   |           |   |            |   |                       |   |   | 826659              | 0.1316 g |

|             |          |                             |
|-------------|----------|-----------------------------|
| CONTACT PIN | CuZn     | SEE TABLE                   |
| PIN HOUSING | PBT GV   | SEE TABLE                   |
| DESCRIPTION | MATERIAL | FABRE/COLOR/PLATING/SURFACE |

NOTES:

- 1 MATING SIDE : AREA "F" MIN 0.7µm PdNi + MIN 0.1µm GOLD OVER 1.27µm NICKEL BY AREA "B"  
SOLDER SIDE: MIN 3µm TIN OVER 1.27µm NICKEL
- 2 MATING AND SOLDER SIDE : MIN 3µm TIN OVER 1.27µm NICKEL
- 3 MATING SIDE: AREA "F" 0.13µm GOLD OVER 1.27µm NICKEL BY AREA "B"  
SOLDER SIDE: MIN 3µm TIN OVER 1.27µm NICKEL
- 4 COLOR OF HOUSING: GREY
- 5 COLOR OF HOUSING: GREEN
- 6 TOLERANCES NOT CUMULATIVE
- 7 THE NUMBER OF POSITION PER ROW HAS TO BE ADDED TO THE BASE NO. AS A DASH NO.  
EG: 2-826632-0 = 20 POSITIONS  
  
THE NUMBER OF POSITIONS PER ROW IS ALSO THE FACTOR FOR THE WEIGHT DETERMINATION  
E.G: 20 X 0.1276 g = 2.552 g
- 8 OBSOLETE

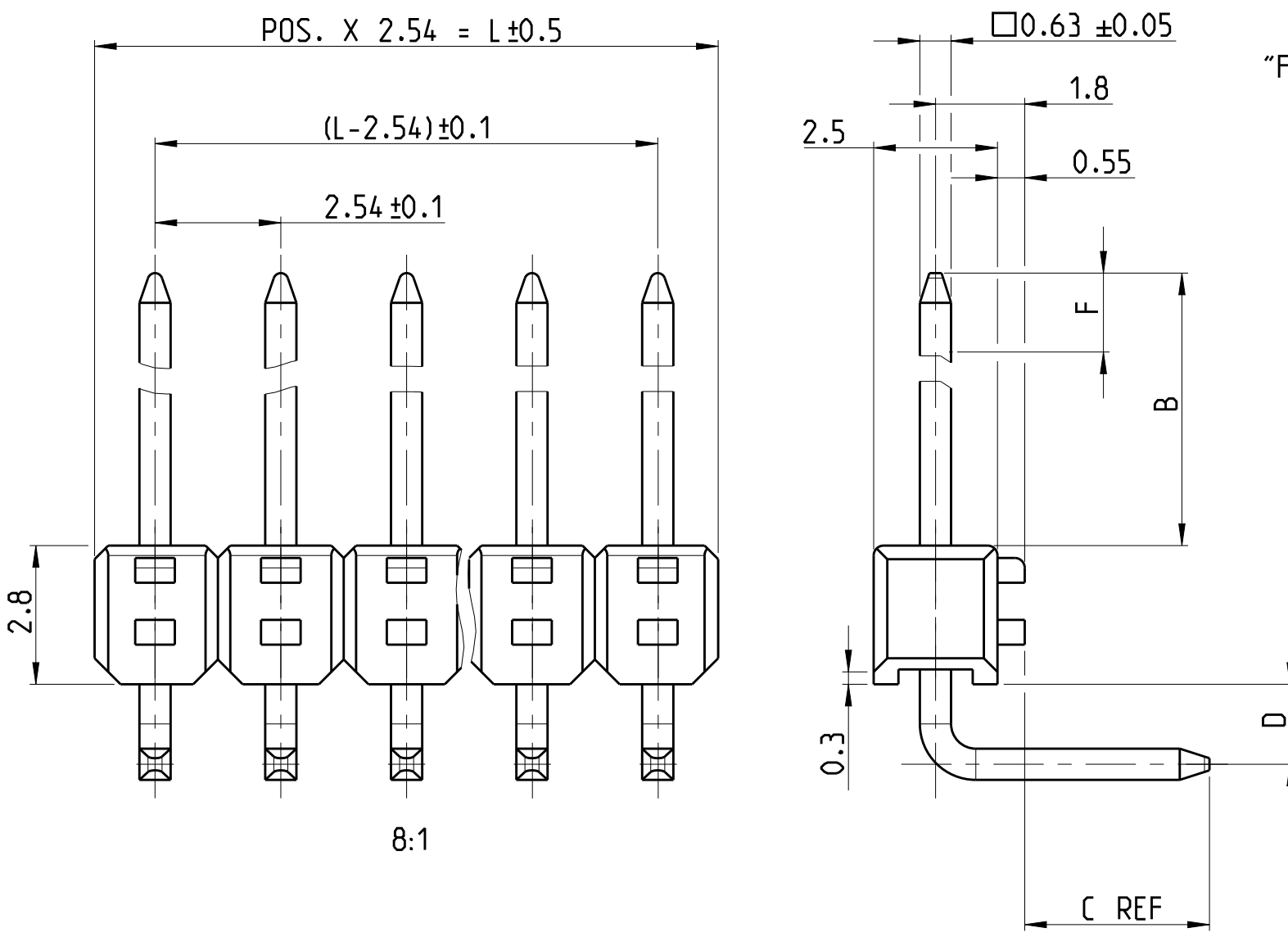


SCALE 8:1  
LAYOUT FOR HOLES ON PCB

|   |  |                            |  |                 |
|---|--|----------------------------|--|-----------------|
| THIS DRAWING IS A CONTROLLED DOCUMENT.          |  | DWN G.HOLAUS 10NOV1989     | TE Connectivity  |                 |
| DIMENSIONS: mm                                  |  | CHK SCHAARSCHMIDT M.       |  |                 |
| TOLERANCES UNLESS OTHERWISE SPECIFIED: ±0.2mm 6 |  | APVD -                     | NAME AMPMODU II PIN HEADER, SINGLE ROW, DUAL ROW, VERTICAL AND RIGHT ANGLE MOUNT |                 |
| MATERIAL SEE TABLE                              |  | PRODUCT SPEC 108-18012     | SIZE A2  | CAGE CODE 00779 |
|   |  | APPLICATION SPEC 114-25011 | DRAWING NO C-826629  | RESTRICTED TO - |
|   |  | WEIGHT -                   | SCALE 5:1 SHEET 2 OF 4 REV AC1   |                 |
|   |  | CUSTOMER DRAWING           |  |                 |

THIS DRAWING IS UNPUBLISHED. RELEASED FOR PUBLICATION 2019  
 © COPYRIGHT 2019 BY TE CONNECTIVITY ALL RIGHTS RESERVED.

| REVISIONS |     |             |      |      |
|-----------|-----|-------------|------|------|
| P         | LTR | DESCRIPTION | DATE | APVD |
|           |     | SEE SHEET 1 |      |      |



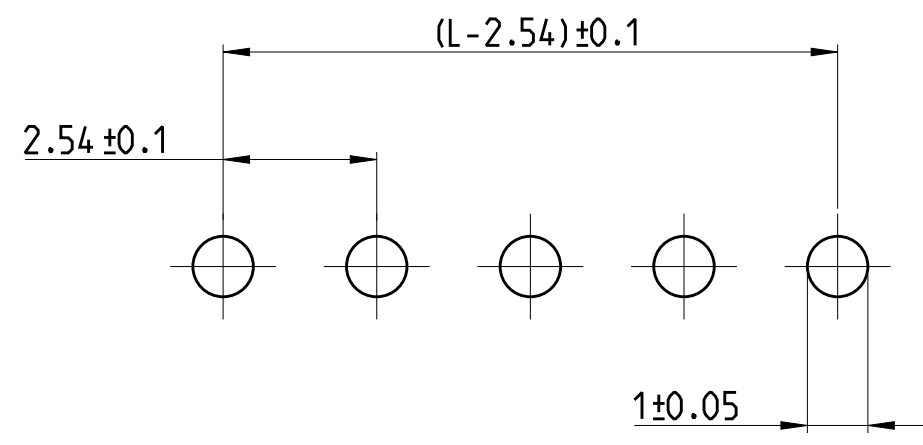
"F" = GOLD AREA

| DIMENSION |     |     |     |   | PART-NO.              |                     | PART- NO. |                     | PART- NO. |                       |          |
|-----------|-----|-----|-----|---|-----------------------|---------------------|-----------|---------------------|-----------|-----------------------|----------|
|           |     |     |     |   | SELECTIVE GOLD PLATED |                     | 7         | TIN PLATED          | 7         | SELECTIVE GOLD PLATED |          |
| B         | C   | D   | F   | - | 1 5 7                 | WEIGHT POS. PER ROW | 5 7       | WEIGHT POS. PER ROW | 3 4 7     | WEIGHT POS. PER ROW   |          |
| 6.7       | 3.2 | 1.3 | 4.4 | - |                       | 826631              | 0.0757 g  | 826947/2            | 0.0760 g  |                       |          |
| 6.7       | 2.5 | 1.3 | 4.4 | - |                       | 826651              | 0.0731 g  | 826948/2            | 0.0735 g  |                       |          |
| 5.8       | 3.2 | 1.3 | 4.4 | - |                       | 826652              | 0.0726 g  | 826949/2            | 0.0728 g  | 8 829071              | 0.0726 g |
| 5.8       | 2.5 | 1.3 | 4.4 | - |                       | 826653              | 0.0701 g  | 826950/2            | 0.0704 g  |                       |          |
| 8.0       | 3.2 | 1.3 | 4.4 | - |                       | 826654              | 0.0803 g  | 826951/2            | 0.0807 g  |                       |          |
| 8.0       | 2.5 | 1.3 | 4.4 | - |                       | 826655              | 0.0777 g  | 9 826952/10         | 0.0782 g  |                       |          |
| 6.7       | 3.2 | 1.3 | 5.5 | - |                       | -                   | -         | -                   | -         | 8 828419              | 0.0758 g |

|             |          |                             |
|-------------|----------|-----------------------------|
| CONTACT PIN | CuZn     | SEE TABLE                   |
| CONTACT PIN | CuSn6,9  | SEE TABLE                   |
| PIN HOUSING | PBT GV   | SEE TABLE                   |
| DESCRIPTION | MATERIAL | FABRE/COLOR/PLATING/SURFACE |

NOTES:

- 1 MATING SIDE : AREA "F" MIN 0.7µm PdNi + MIN 0.1µm GOLD OVER 1.27µm NICKEL BY AREA "B"  
SOLDER SIDE: MIN 3µm TIN OVER 1.27µm NICKEL
- 2 MATING AND SOLDER SIDE : MIN 3µm TIN OVER 1.27µm NICKEL
- 3 MATING SIDE: AREA "F" 0.13µm GOLD OVER 1.27µm NICKEL BY AREA "B"  
SOLDER SIDE: MIN 3µm TIN OVER 1.27µm NICKEL
- 4 COLOR OF HOUSING: GREY
- 5 COLOR OF HOUSING: GREEN
- 6 TOLERANCES NOT CUMULATIVE
- 7 THE NUMBER OF POSITION PER ROW HAS TO BE ADDED TO THE BASE NO. AS A DASH NO.  
EG: 2-826631-0 = 20 POSITIONS  
  
THE NUMBER OF POSITIONS PER ROW IS ALSO THE FACTOR FOR THE WEIGHT DETERMINATION  
E.G: 20 X 0.0757 g = 1.514 g
- 8 OBSOLETE
- 10 MATING AND SOLDER SIDE : 2µm TIN OVER 1.27µm NICKEL

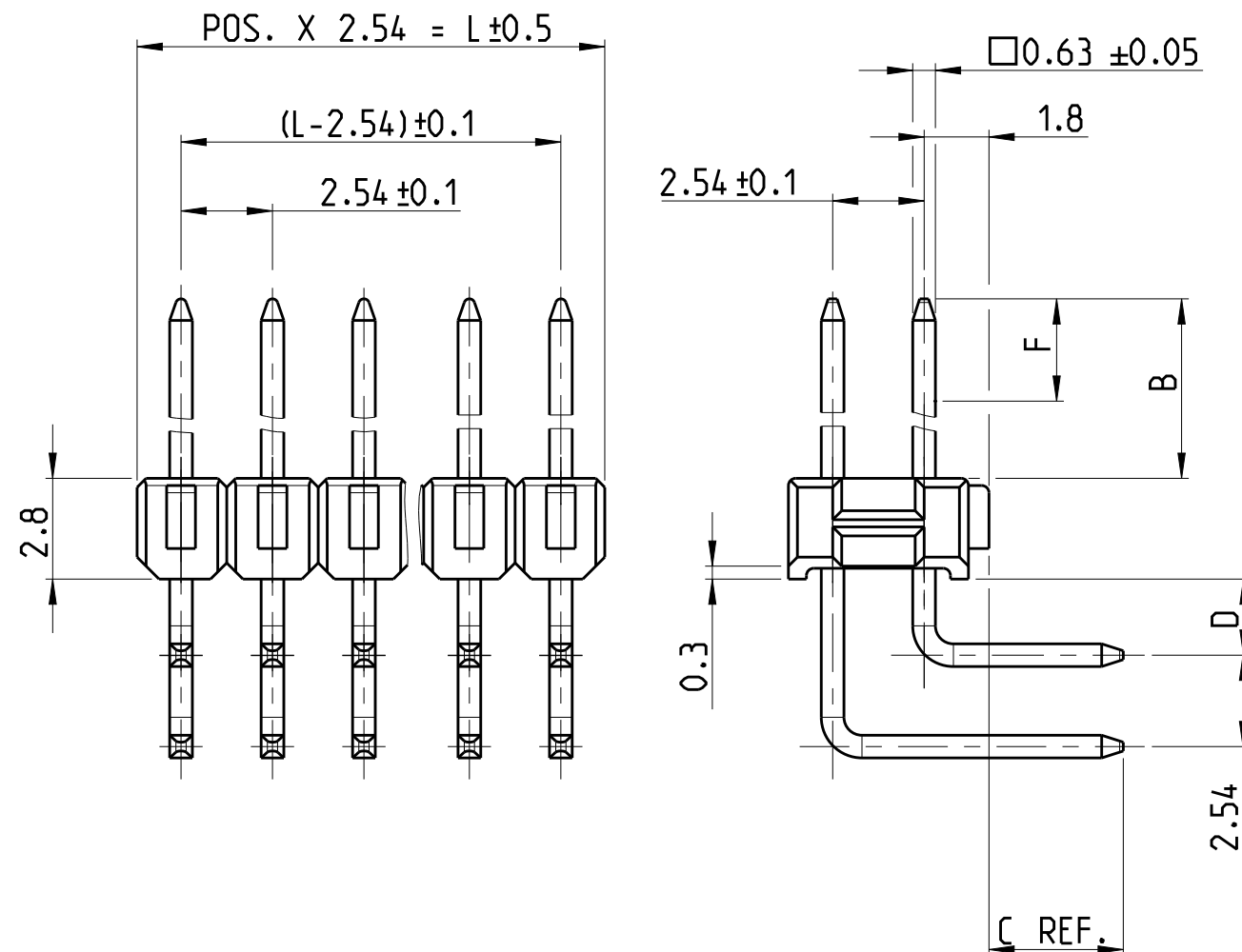


SCALE 8:1  
LAYOUT FOR HOLES ON PCB

|   |  |                        |  |  |
|---|--|------------------------|--|--|
| THIS DRAWING IS A CONTROLLED DOCUMENT.        |  | DWN G.HOLAUS 10NOV1989 | TE Connectivity  |  |
| DIMENSIONS: mm                                |  | CHK SCHAARSCHMIDT M.   |  |  |
| TOLERANCES UNLESS OTHERWISE SPECIFIED: ±0.2mm |  | APVD                   | NAME AMPMODU II PIN HEADER, SINGLE ROW, DUAL ROW, VERTICAL AND RIGHT ANGLE MOUNT |  |
| 0 PLC ±                                       |  | PRODUCT SPEC           | SIZE CAGE CODE DRAWING NO RESTRICTED TO  |  |
| 1 PLC ±                                       |  | 108-18012              | A2 00779 C-826629  |  |
| 2 PLC ±                                       |  | APPLICATION SPEC       | SCALE 5:1 SHEET 3 OF 4 REV AC1   |  |
| 3 PLC ±                                       |  | 114-25011              |  |  |
| 4 PLC ±                                       |  | WEIGHT                 |  |  |
| ANGLES  |  | CUSTOMER DRAWING       |  |  |
| FINISH  |  |                        |  |  |

THIS DRAWING IS UNPUBLISHED. RELEASED FOR PUBLICATION 2019  
 © COPYRIGHT 2019 BY: TE CONNECTIVITY ALL RIGHTS RESERVED.

| REVISIONS |     |             |      |      |
|-----------|-----|-------------|------|------|
| P         | LTR | DESCRIPTION | DATE | APVD |
|           |     | SEE SHEET 1 |      |      |
|           |     |             |      |      |
|           |     |             |      |      |

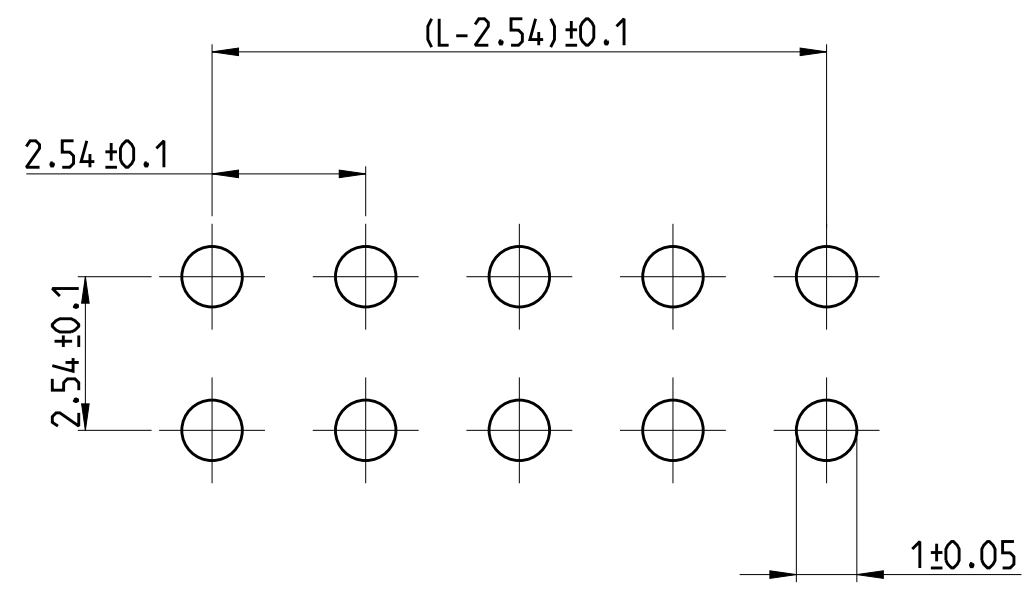


| DIMENSION |     |     |     |   | PART-NO.              |                     | PART- NO. |                     |           | PART- NO.           |                       |  |
|-----------|-----|-----|-----|---|-----------------------|---------------------|-----------|---------------------|-----------|---------------------|-----------------------|--|
|           |     |     |     |   | SELECTIVE GOLD PLATED |                     | △7        | TIN PLATED          |           | △7                  | SELECTIVE GOLD PLATED |  |
| B         | C   | D   | F   | - | △1 △5 △7              | WEIGHT POS. PER ROW | △2 △5 △7  | WEIGHT POS. PER ROW | △3 △4 △7  | WEIGHT POS. PER ROW |                       |  |
| 6.7       | 3.2 | 1.3 | 4.4 | - | 826634                | 0.1646 g            | 826953    | 0.1656 g            | △8 828418 | 0.1651 g            |                       |  |
| 6.7       | 2.5 | 1.3 | 4.4 | - | △8 826661             | 0.1597 g            | △8 826954 | 0.1606 g            |           |                     |                       |  |
| 5.8       | 3.2 | 1.3 | 4.4 | - | 826662                | 0.1587 g            | 826955    | 0.1603 g            | △8 829072 | 0.1587 g            |                       |  |
| 5.8       | 2.5 | 1.3 | 4.4 | - | 826663                | 0.1538 g            | △8 826956 | 0.1542 g            |           |                     |                       |  |
| 8.0       | 3.2 | 1.3 | 4.4 | - | 826664                | 0.1741 g            | 826957    | 0.1749 g            |           |                     |                       |  |
| 8.0       | 2.5 | 1.3 | 4.4 | - | 826665                | 0.1687 g            | △8 826958 | 0.1699 g            |           |                     |                       |  |

|             |          |                             |
|-------------|----------|-----------------------------|
| CONTACT PIN | CuZn     | SEE TABLE                   |
| PIN HOUSING | PBT GV   | SEE TABLE                   |
| DESCRIPTION | MATERIAL | FABRE/COLOR/PLATING/SURFACE |

NOTES:

- △1 MATING SIDE : AREA "F" MIN 0.7µm PdNi + MIN 0.1µm GOLD OVER 1.27µm NICKEL BY AREA "B"  
SOLDER SIDE: MIN 3µm TIN OVER 1.27µm NICKEL
- △2 MATING AND SOLDER SIDE : MIN 3µm TIN OVER 1.27µm NICKEL
- △3 MATING SIDE: AREA "F" 0.13µm GOLD OVER 1.27µm NICKEL BY AREA "B"  
SOLDER SIDE: MIN 3µm TIN OVER 1.27µm NICKEL
- △4 COLOR OF HOUSING: GREY
- △5 COLOR OF HOUSING: GREEN
- △6 TOLERANCES NOT CUMULATIVE
- △7 THE NUMBER OF POSITION PER ROW HAS TO BE ADDED TO THE BASE NO. AS A DASH NO.  
EG: 2-826634-0 = 20 POSITIONS  
  
THE NUMBER OF POSITIONS PER ROW IS ALSO THE FACTOR FOR THE WEIGHT DETERMINATION  
E.G: 20 X 0.1646 g = 3.292 g
- △8 OBSOLETE



SCALE 8:1  
LAYOUT FOR HOLES ON PCB

|   |  |                            |  |  |
|---|--|----------------------------|--|--|
| THIS DRAWING IS A CONTROLLED DOCUMENT.        |  | DWN G.HOLAUS 10NOV1989     | TE Connectivity  |  |
| DIMENSIONS: mm                                |  | CHK SCHAARSCHMIDT M.       |  |  |
| TOLERANCES UNLESS OTHERWISE SPECIFIED: ±0.2mm |  | APVD -                     | NAME AMPMODU II PIN HEADER, SINGLE ROW, DUAL ROW, VERTICAL AND RIGHT ANGLE MOUNT |  |
| 0 PLC ±                                       |  | PRODUCT SPEC 108-18012     | SIZE CAGE CODE DRAWING NO  |  |
| 1 PLC ±                                       |  | APPLICATION SPEC 114-25011 | A2 00779 C-826629  |  |
| 2 PLC ±                                       |  | WEIGHT -                   | RESTRICTED TO -  |  |
| 3 PLC ±                                       |  | CUSTOMER DRAWING           | SCALE 5:1 SHEET 4 OF 4 REV AC1   |  |
| 4 PLC ±                                       |  |                            |  |  |
| ANGLES ±                                      |  |                            |  |  |
| FINISH -                                      |  |                            |  |  |

## X-ON Electronics

Largest Supplier of Electrical and Electronic Components

*Click to view similar products for [Headers & Wire Housings](#) category:*

*Click to view products by [TE Connectivity](#) manufacturer:*

Other Similar products are found below :

[892-18-020-10-001101](#) [58102-G61-06LF](#) [582553-1](#) [0009485154](#) [009176003701906](#) [0050291907](#) [LY20-4P-DT1-P1E-BR](#) [02.125.8002.8](#)  
[609-3404](#) [61062-3](#) [61082-181009](#) [622-3653LF](#) [63453-116](#) [636-1030](#) [636-1427](#) [636-3427](#) [636-4007](#) [641938-9](#) [641991-4](#) [644827-2](#) [65817-](#)  
[010LF](#) [65817-015LF](#) [65863-015LF](#) [66207-023LF](#) [67095-007LF](#) [67601157](#) [68645-018](#) [68648-049](#) [70.362.1628.0](#) [70-4210](#) [70-4226B](#) [70-](#)  
[4853B](#) [707-5020](#) [707-5028](#) [71.350.2428.0](#) [71918-208LF](#) [71961-016LF](#) [733-134](#) [733-162](#) [754199-000](#) [760-3052](#) [787-8014-00](#) [79531-3000](#)  
[FCN-360C032-B](#) [FCN-367T-T012/H](#) [FCN-723D010/2](#) [80.063.4001.1](#) [800-90-001-10-001000](#) [800-90-010-10-002000](#) [801-43-002-10-013000](#)