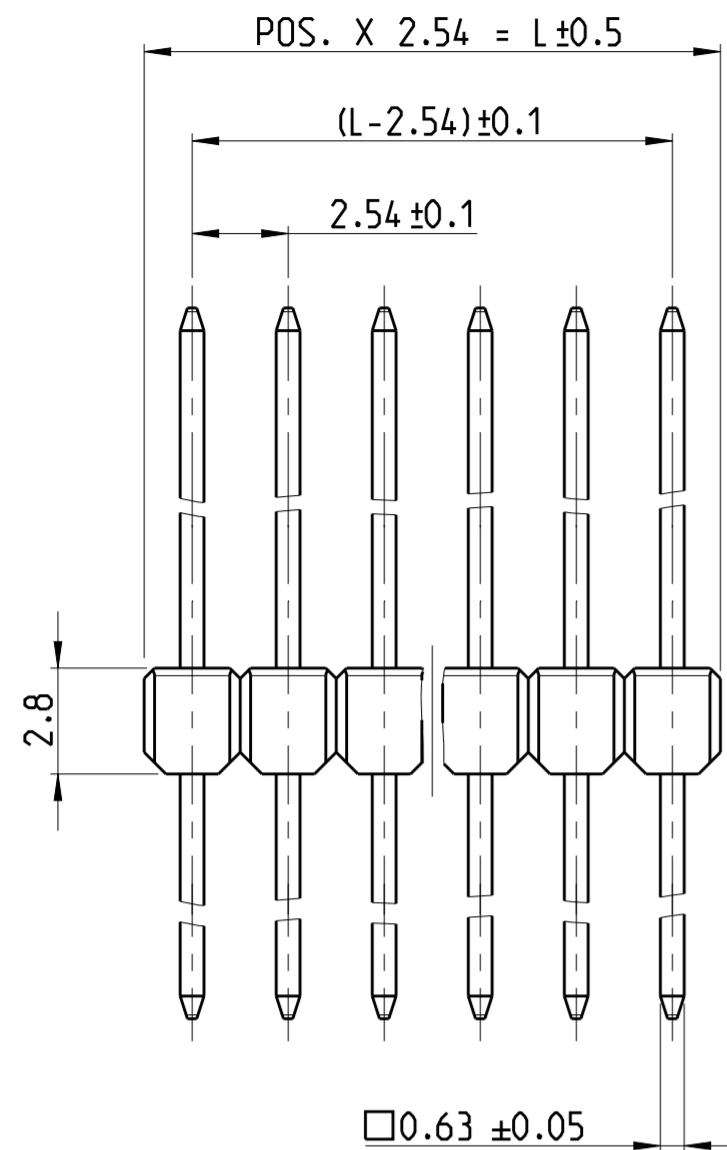


THIS DRAWING IS UNPUBLISHED. RELEASED FOR PUBLICATION 2019
 © COPYRIGHT 2019 BY TE CONNECTIVITY ALL RIGHTS RESERVED.

| REVISIONS | | | | |
|-----------|-----|------------------------------------|-----------|-------|
| P | LTR | DESCRIPTION | DATE | APVD |
| | AC1 | TOLERANCE ADDED FOR DIMENSION 0.63 | 17JUN2019 | SS PS |



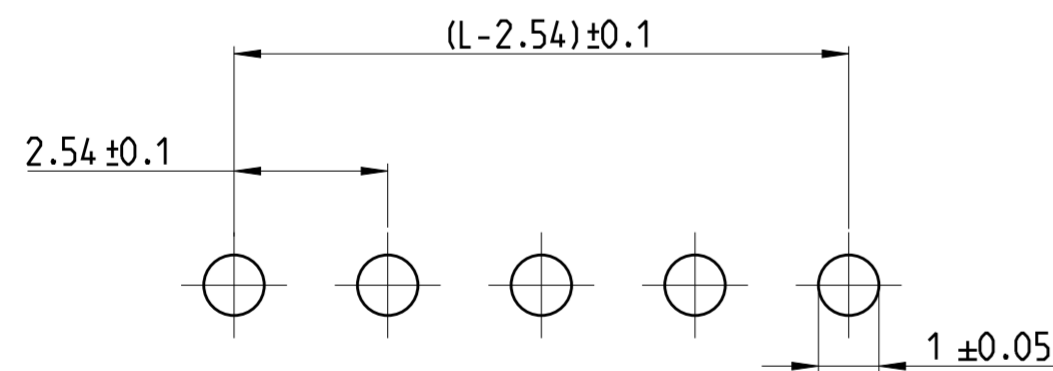
| DIMENSION | | | | | PART- NO. | | | PART- NO. | | | PART- NO. | | | | | | |
|-----------|-----|-----|-----|---|-----------------------|---|---|------------|---|---|-----------------------|---|---|---------------------|---------------------|---------------------|--|
| A | B | C | F | - | SELECTIVE GOLD PLATED | | | TIN PLATED | | | SELECTIVE GOLD PLATED | | | | | | |
| | | | | | 1 | 5 | 7 | 2 | 5 | 7 | 3 | 4 | 7 | WEIGHT POS. PER ROW | WEIGHT POS. PER ROW | WEIGHT POS. PER ROW | |
| 12.7 | 6.7 | 3.2 | 4.4 | - | | | | | | | | | | | | | |
| 12.0 | 6.7 | 2.5 | 4.4 | - | | | | | | | | | | | | | |
| 11.8 | 5.8 | 3.2 | 4.4 | - | | | | | | | | | | | | | |
| 11.1 | 5.8 | 2.5 | 4.4 | - | | | | | | | | | | | | | |
| 14.0 | 8.0 | 3.2 | 4.4 | - | | | | | | | | | | | | | |
| 13.3 | 8.0 | 2.5 | 4.4 | - | | | | | | | | | | | | | |
| 12.7 | 6.7 | 3.2 | 5.5 | - | | | | | | | | | | | | | |

| | | |
|-------------|----------|-----------------------------|
| CONTACT PIN | CuZn | SEE TABLE |
| PIN HOUSING | PBT GV | SEE TABLE |
| DESCRIPTION | MATERIAL | FABRE/COLOR/PLATING/SURFACE |

NOTES:

- 1 MATING SIDE : AREA "F" MIN 0.7µm PdNi + MIN 0.1µm GOLD OVER 1.27µm NICKEL BY AREA "B"
SOLDER SIDE: MIN 3µm TIN OVER 1.27µm NICKEL
- 2 MATING AND SOLDER SIDE : MIN 3µm TIN OVER 1.27µm NICKEL
- 3 MATING SIDE: AREA "F" 0.13µm GOLD OVER 1.27µm NICKEL BY AREA "B"
SOLDER SIDE: MIN 3µm TIN OVER 1.27µm NICKEL
- 4 COLOR OF HOUSING: GREY
- 5 COLOR OF HOUSING: GREEN
- 6 TOLERANCES NOT CUMULATIVE
- 7 THE NUMBER OF POSITION PER ROW HAS TO BE ADDED TO THE BASE NO. AS A DASH NO.
EG: 2-826629-0 = 20 POSITIONS

THE NUMBER OF POSITIONS PER ROW IS ALSO THE FACTOR FOR THE WEIGHT DETERMINATION
E.G: 20 X 0.0654 g = 1.308 g
- 8 OBSOLETE

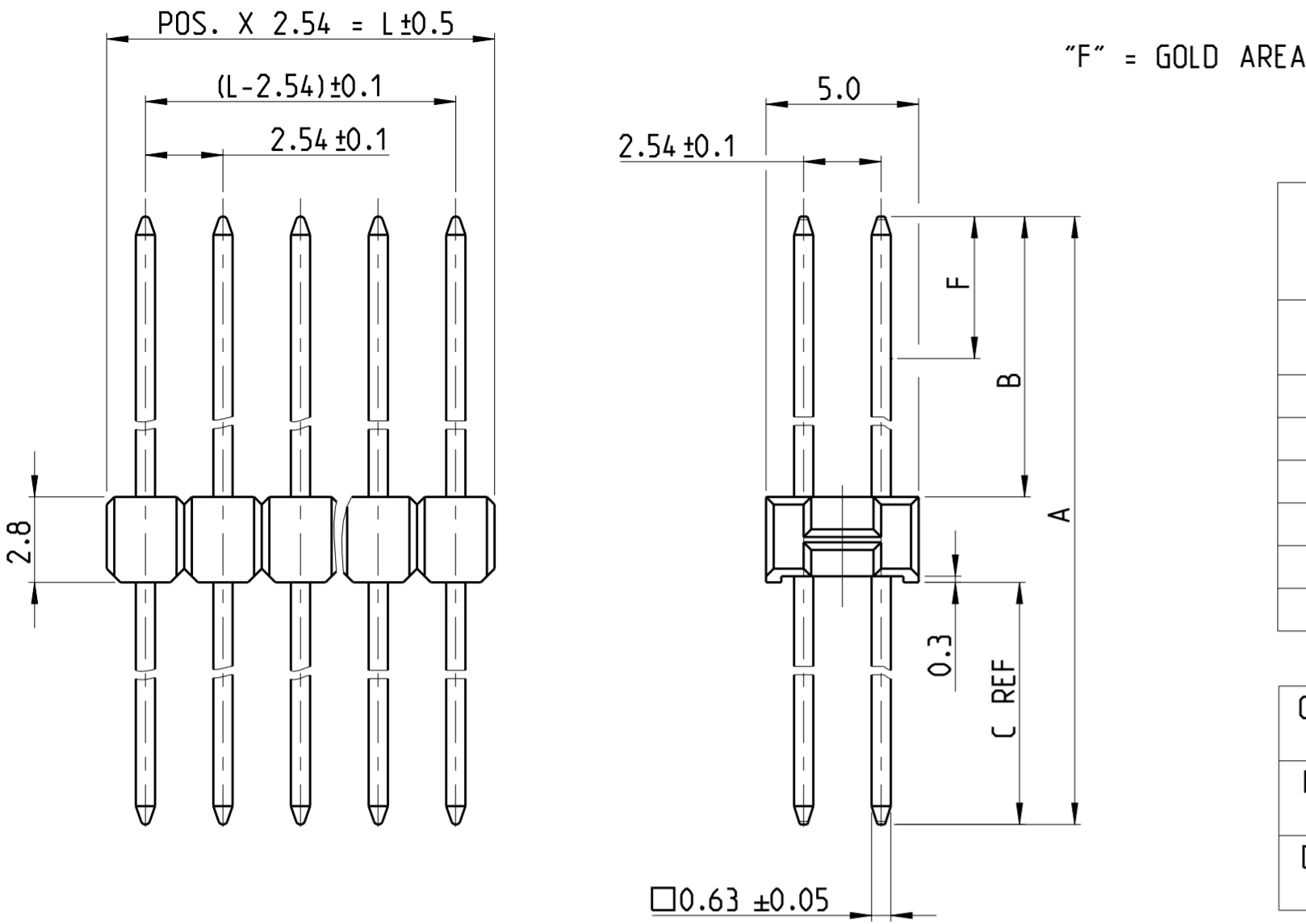


SCALE 8:1
LAYOUT FOR HOLES ON PCB

| | | | | |
|---|--|----------------------------|--|--|
| THIS DRAWING IS A CONTROLLED DOCUMENT. | | DWN G.HOLAUS 10NOV1989 | TE Connectivity | |
| DIMENSIONS: mm | | CHK SCHAARSCHMIDT M. | | |
| TOLERANCES UNLESS OTHERWISE SPECIFIED: ±0.2mm | | APVD - | NAME AMPMODU II PIN HEADER, SINGLE ROW, DUAL ROW, VERTICAL AND RIGHT ANGLE MOUNT | |
| 0 PLC ± | | PRODUCT SPEC 108-18012 | SIZE CAGE CODE DRAWING NO RESTRICTED TO | |
| 1 PLC ± | | APPLICATION SPEC 114-25011 | A2 00779 C-826629 | |
| 2 PLC ± | | WEIGHT - | CUSTOMER DRAWING SCALE 5:1 SHEET 1 OF 4 REV AC1 | |
| 3 PLC ± | | | | |
| 4 PLC ± | | | | |
| ANGLES ± | | | | |
| FINISH - | | | | |

THIS DRAWING IS UNPUBLISHED. RELEASED FOR PUBLICATION 2019
 © COPYRIGHT 2019 BY TE CONNECTIVITY ALL RIGHTS RESERVED.

| REVISIONS | | | | |
|-----------|-----|-------------|------|------|
| P | LTR | DESCRIPTION | DATE | APVD |
| | | SEE SHEET 1 | | |



| DIMENSION | | | | | PART-NO. | | PART- NO. | | PART- NO. | | |
|-----------|-----|-----|-----|---|-----------------------|---------------------|-----------|---------------------|------------|---------------------|-----------------------|
| | | | | | SELECTIVE GOLD PLATED | | | 7 | TIN PLATED | 7 | SELECTIVE GOLD PLATED |
| A | B | C | F | - | 1 5 7 | WEIGHT POS. PER ROW | 2 5 7 | WEIGHT POS. PER ROW | 3 4 7 | WEIGHT POS. PER ROW | |
| 12.7 | 6.7 | 3.2 | 5.5 | - | 826632 | 0.1276 g | 826925 | 0.1279 g | 828420 | | 0.1272 g |
| 12.0 | 6.7 | 2.5 | 4.4 | - | 826633 | 0.1226 g | 826941 | 0.1229 g | | | |
| 11.8 | 5.8 | 3.2 | 4.4 | - | 826656 | 0.1212 g | 826942 | 0.1217 g | 8 828533 | | 0.1209 g |
| 11.1 | 5.8 | 2.5 | 4.4 | - | 826657 | 0.1162 g | 826943 | 0.1165 g | | | |
| 14.0 | 8.0 | 3.2 | 4.4 | - | 826658 | 0.1366 g | 826944 | 0.1370 g | | | |
| 13.3 | 8.0 | 2.5 | 4.4 | - | 826659 | 0.1316 g | 8 826945 | 0.1323 g | | | |

| | | |
|-------------|----------|-----------------------------|
| CONTACT PIN | CuZn | SEE TABLE |
| PIN HOUSING | PBT GV | SEE TABLE |
| DESCRIPTION | MATERIAL | FABRE/COLOR/PLATING/SURFACE |

NOTES:

- 1 MATING SIDE : AREA "F" MIN 0.7µm PdNi + MIN 0.1µm GOLD OVER 1.27µm NICKEL BY AREA "B"
SOLDER SIDE: MIN 3µm TIN OVER 1.27µm NICKEL
- 2 MATING AND SOLDER SIDE : MIN 3µm TIN OVER 1.27µm NICKEL
- 3 MATING SIDE: AREA "F" 0.13µm GOLD OVER 1.27µm NICKEL BY AREA "B"
SOLDER SIDE: MIN 3µm TIN OVER 1.27µm NICKEL
- 4 COLOR OF HOUSING: GREY
- 5 COLOR OF HOUSING: GREEN
- 6 TOLERANCES NOT CUMULATIVE
- 7 THE NUMBER OF POSITION PER ROW HAS TO BE ADDED TO THE BASE NO. AS A DASH NO.
EG: 2-826632-0 = 20 POSITIONS

THE NUMBER OF POSITIONS PER ROW IS ALSO THE FACTOR FOR THE WEIGHT DETERMINATION
E.G: 20 X 0.1276 g = 2.552 g
- 8 OBSOLETE



SCALE 8:1
LAYOUT FOR HOLES ON PCB

| | | | | |
|---|--|----------------------------|--|-----------------|
| THIS DRAWING IS A CONTROLLED DOCUMENT. | | DWN G.HOLAUS 10NOV1989 | TE Connectivity | |
| DIMENSIONS: mm | | CHK SCHAARSCHMIDT M. | | |
| TOLERANCES UNLESS OTHERWISE SPECIFIED: ±0.2mm 6 | | APVD - | NAME AMPMODU II PIN HEADER, SINGLE ROW, DUAL ROW, VERTICAL AND RIGHT ANGLE MOUNT | |
| MATERIAL SEE TABLE | | PRODUCT SPEC 108-18012 | SIZE A2 | CAGE CODE 00779 |
| | | APPLICATION SPEC 114-25011 | DRAWING NO C-826629 | RESTRICTED TO - |
| | | WEIGHT - | CUSTOMER DRAWING SCALE 5:1 SHEET 2 OF 4 REV AC1 | |

THIS DRAWING IS UNPUBLISHED. RELEASED FOR PUBLICATION 2019
 © COPYRIGHT 2019 BY TE CONNECTIVITY ALL RIGHTS RESERVED.

| REVISIONS | | | | |
|-----------|-----|-------------|------|------|
| P | LTR | DESCRIPTION | DATE | APVD |
| | | SEE SHEET 1 | | |



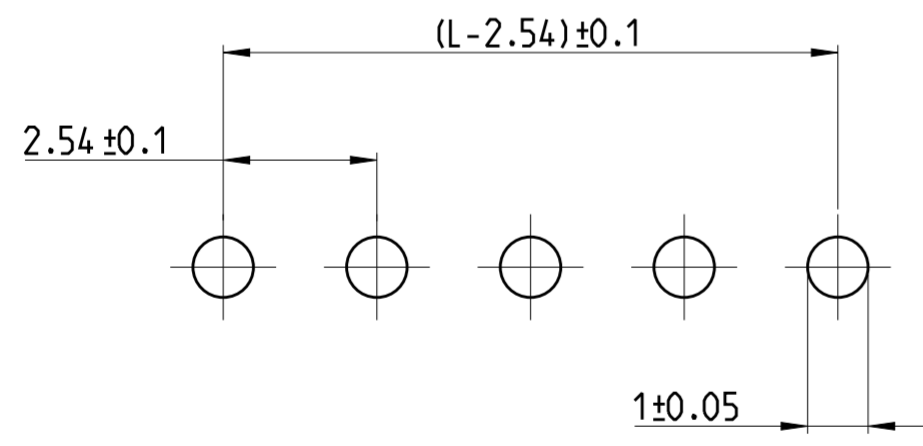
| DIMENSION | | | | | PART-NO. | | PART- NO. | | PART- NO. | | |
|-----------|-----|-----|-----|---|-----------------------|---------------------|-----------|---------------------|-----------|-----------------------|----------|
| | | | | | SELECTIVE GOLD PLATED | | 7 | TIN PLATED | 7 | SELECTIVE GOLD PLATED | |
| B | C | D | F | - | 1 5 7 | WEIGHT POS. PER ROW | 5 7 | WEIGHT POS. PER ROW | 3 4 7 | WEIGHT POS. PER ROW | |
| 6.7 | 3.2 | 1.3 | 4.4 | - | | 826631 | 0.0757 g | 826947/2 | 0.0760 g | | |
| 6.7 | 2.5 | 1.3 | 4.4 | - | | 826651 | 0.0731 g | 826948/2 | 0.0735 g | | |
| 5.8 | 3.2 | 1.3 | 4.4 | - | | 826652 | 0.0726 g | 826949/2 | 0.0728 g | 8 829071 | 0.0726 g |
| 5.8 | 2.5 | 1.3 | 4.4 | - | | 826653 | 0.0701 g | 826950/2 | 0.0704 g | | |
| 8.0 | 3.2 | 1.3 | 4.4 | - | | 826654 | 0.0803 g | 826951/2 | 0.0807 g | | |
| 8.0 | 2.5 | 1.3 | 4.4 | - | | 826655 | 0.0777 g | 9 826952/10 | 0.0782 g | | |
| 6.7 | 3.2 | 1.3 | 5.5 | - | | - | - | - | - | 8 828419 | 0.0758 g |

| | | |
|-------------|----------|-----------------------------|
| CONTACT PIN | CuZn | SEE TABLE |
| CONTACT PIN | CuSn6,9 | SEE TABLE |
| PIN HOUSING | PBT GV | SEE TABLE |
| DESCRIPTION | MATERIAL | FABRE/COLOR/PLATING/SURFACE |

NOTES:

- 1 MATING SIDE : AREA "F" MIN 0.7µm PdNi + MIN 0.1µm GOLD OVER 1.27µm NICKEL BY AREA "B"
SOLDER SIDE: MIN 3µm TIN OVER 1.27µm NICKEL
- 2 MATING AND SOLDER SIDE : MIN 3µm TIN OVER 1.27µm NICKEL
- 3 MATING SIDE: AREA "F" 0.13µm GOLD OVER 1.27µm NICKEL BY AREA "B"
SOLDER SIDE: MIN 3µm TIN OVER 1.27µm NICKEL
- 4 COLOR OF HOUSING: GREY
- 5 COLOR OF HOUSING: GREEN
- 6 TOLERANCES NOT CUMULATIVE
- 7 THE NUMBER OF POSITION PER ROW HAS TO BE ADDED TO THE BASE NO. AS A DASH NO.
EG: 2-826631-0 = 20 POSITIONS

THE NUMBER OF POSITIONS PER ROW IS ALSO THE FACTOR FOR THE WEIGHT DETERMINATION
E.G: 20 X 0.0757 g = 1.514 g
- 8 OBSOLETE
- 10 MATING AND SOLDER SIDE : 2µm TIN OVER 1.27µm NICKEL



SCALE 8:1
LAYOUT FOR HOLES ON PCB

| | | | | |
|---|--|------------------------|--|--|
| THIS DRAWING IS A CONTROLLED DOCUMENT. | | DWN G.HOLAUS 10NOV1989 | TE Connectivity | |
| DIMENSIONS: mm | | CHK SCHAARSCHMIDT M. | | |
| TOLERANCES UNLESS OTHERWISE SPECIFIED: ±0.2mm | | APVD | NAME AMPMODU II PIN HEADER, SINGLE ROW, DUAL ROW, VERTICAL AND RIGHT ANGLE MOUNT | |
| 0 PLC ± | | PRODUCT SPEC | SIZE CAGE CODE DRAWING NO RESTRICTED TO | |
| 1 PLC ± | | 108-18012 | A2 00779 C-826629 | |
| 2 PLC ± | | APPLICATION SPEC | SCALE 5:1 SHEET 3 OF 4 REV AC1 | |
| 3 PLC ± | | 114-25011 | | |
| 4 PLC ± | | WEIGHT | | |
| ANGLES | | CUSTOMER DRAWING | | |
| FINISH | | | | |
| MATERIAL SEE TABLE | | | | |

THIS DRAWING IS UNPUBLISHED. RELEASED FOR PUBLICATION 2019
 © COPYRIGHT 2019 BY TE CONNECTIVITY ALL RIGHTS RESERVED.

| REVISIONS | | | | |
|-----------|-----|-------------|------|------|
| P | LTR | DESCRIPTION | DATE | APVD |
| | | SEE SHEET 1 | | |
| | | | | |
| | | | | |



"F" = GOLD AREA

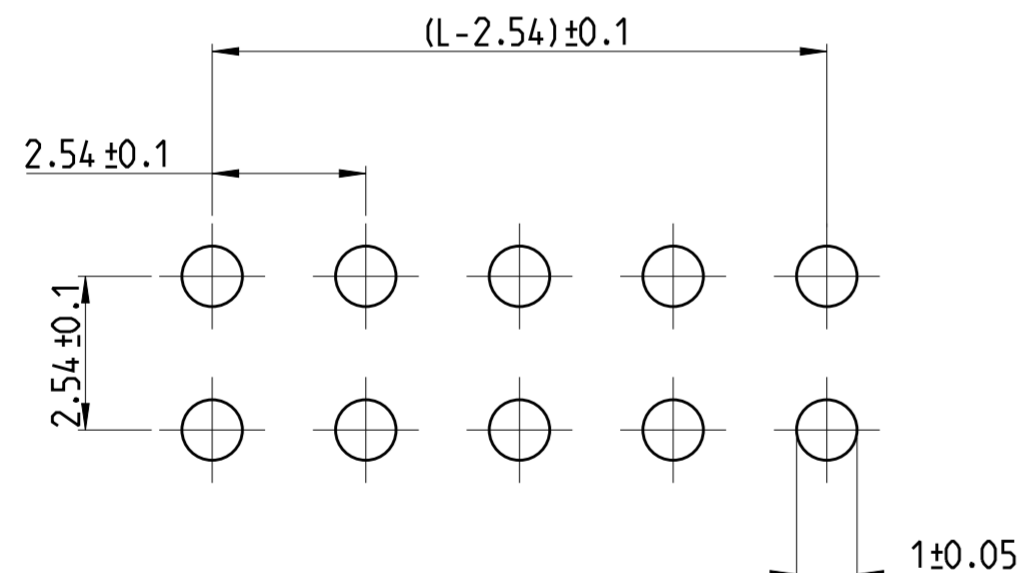
| DIMENSION | | | | | PART-NO. | | PART- NO. | | | PART- NO. | | |
|-----------|-----|-----|-----|---|-----------------------|---------------------|-----------|---------------------|-----------|---------------------|-----------------------|--|
| | | | | | SELECTIVE GOLD PLATED | | △7 | TIN PLATED | | △7 | SELECTIVE GOLD PLATED | |
| B | C | D | F | - | △1 △5 △7 | WEIGHT POS. PER ROW | △2 △5 △7 | WEIGHT POS. PER ROW | △3 △4 △7 | WEIGHT POS. PER ROW | | |
| 6.7 | 3.2 | 1.3 | 4.4 | - | 826634 | 0.1646 g | 826953 | 0.1656 g | △8 828418 | 0.1651 g | | |
| 6.7 | 2.5 | 1.3 | 4.4 | - | △8 826661 | 0.1597 g | △8 826954 | 0.1606 g | | | | |
| 5.8 | 3.2 | 1.3 | 4.4 | - | 826662 | 0.1587 g | 826955 | 0.1603 g | △8 829072 | 0.1587 g | | |
| 5.8 | 2.5 | 1.3 | 4.4 | - | 826663 | 0.1538 g | △8 826956 | 0.1542 g | | | | |
| 8.0 | 3.2 | 1.3 | 4.4 | - | 826664 | 0.1741 g | 826957 | 0.1749 g | | | | |
| 8.0 | 2.5 | 1.3 | 4.4 | - | 826665 | 0.1687 g | △8 826958 | 0.1699 g | | | | |

| | | |
|-------------|----------|-----------------------------|
| CONTACT PIN | CuZn | SEE TABLE |
| PIN HOUSING | PBT GV | SEE TABLE |
| DESCRIPTION | MATERIAL | FABRE/COLOR/PLATING/SURFACE |

NOTES:

- △1 MATING SIDE : AREA "F" MIN 0.7µm PdNi + MIN 0.1µm GOLD OVER 1.27µm NICKEL BY AREA "B"
SOLDER SIDE: MIN 3µm TIN OVER 1.27µm NICKEL
- △2 MATING AND SOLDER SIDE : MIN 3µm TIN OVER 1.27µm NICKEL
- △3 MATING SIDE: AREA "F" 0.13µm GOLD OVER 1.27µm NICKEL BY AREA "B"
SOLDER SIDE: MIN 3µm TIN OVER 1.27µm NICKEL
- △4 COLOR OF HOUSING: GREY
- △5 COLOR OF HOUSING: GREEN
- △6 TOLERANCES NOT CUMULATIVE
- △7 THE NUMBER OF POSITION PER ROW HAS TO BE ADDED TO THE BASE NO. AS A DASH NO.
EG: 2-826634-0 = 20 POSITIONS

THE NUMBER OF POSITIONS PER ROW IS ALSO THE FACTOR FOR THE WEIGHT DETERMINATION
E.G: 20 X 0.1646 g = 3.292 g
- △8 OBSOLETE



SCALE 8:1
LAYOUT FOR HOLES ON PCB

| | | | | |
|---|--|----------------------------|--|--|
| THIS DRAWING IS A CONTROLLED DOCUMENT. | | DWN G.HOLAUS 10NOV1989 | STE TE Connectivity | |
| DIMENSIONS: mm | | CHK SCHAARSCHMIDT M. | | |
| TOLERANCES UNLESS OTHERWISE SPECIFIED: ±0.2mm | | APVD - | NAME AMPMODU II PIN HEADER, SINGLE ROW, DUAL ROW, VERTICAL AND RIGHT ANGLE MOUNT | |
| 0 PLC ± | | PRODUCT SPEC 108-18012 | SIZE CAGE CODE DRAWING NO | |
| 1 PLC ± | | APPLICATION SPEC 114-25011 | A2 00779 C-826629 | |
| 2 PLC ± | | WEIGHT - | RESTRICTED TO | |
| 3 PLC ± | | CUSTOMER DRAWING | SCALE 5:1 SHEET 4 OF 4 REV AC1 | |
| 4 PLC ± | | | | |
| ANGLES ± | | | | |
| FINISH - | | | | |

X-ON Electronics

Largest Supplier of Electrical and Electronic Components

Click to view similar products for [Headers & Wire Housings](#) category:

Click to view products by [TE Connectivity](#) manufacturer:

Other Similar products are found below :

[95000-104TRLF](#) [10135584-644402LF](#) [DF62W-EP2022PCA](#) [95000-106TRLF](#) [DF62W-2022SCA](#) [DF62W-EP2022PC](#) [2203348](#) [DF62W-2022SC](#) [1084018](#) [1029039](#) [1084017](#) [802-10-012-10-002000](#) [1112640](#) [1112639](#) [000-34000](#) [0009482033](#) [0009507031](#) [57102-S06-03LF](#) [57202-S52-04LF](#) [PCN6-15S-2.5E](#) [0039019024](#) [58102-G61-06LF](#) [582553-1](#) [0009508121](#) [0050291907](#) [018731A](#) [LY20-4P-DT1-P1E-BR](#) [02.125.8002.8](#) [60101931](#) [60598-1 \(Cut Strip\)](#) [M1625-3R/100](#) [61062-3](#) [61082-181009](#) [636-1427](#) [638009-1](#) [641938-9](#) [641991-4](#) [644168-1](#) [647662-1](#) [65039-019ELF](#) [65817-002LF](#) [65817-015LF](#) [65863-015LF](#) [66207-023LF](#) [67016-026LF](#) [67046-001LF](#) [67095-007LF](#) [68002-116](#) [68016-236H](#) [68648-049](#)