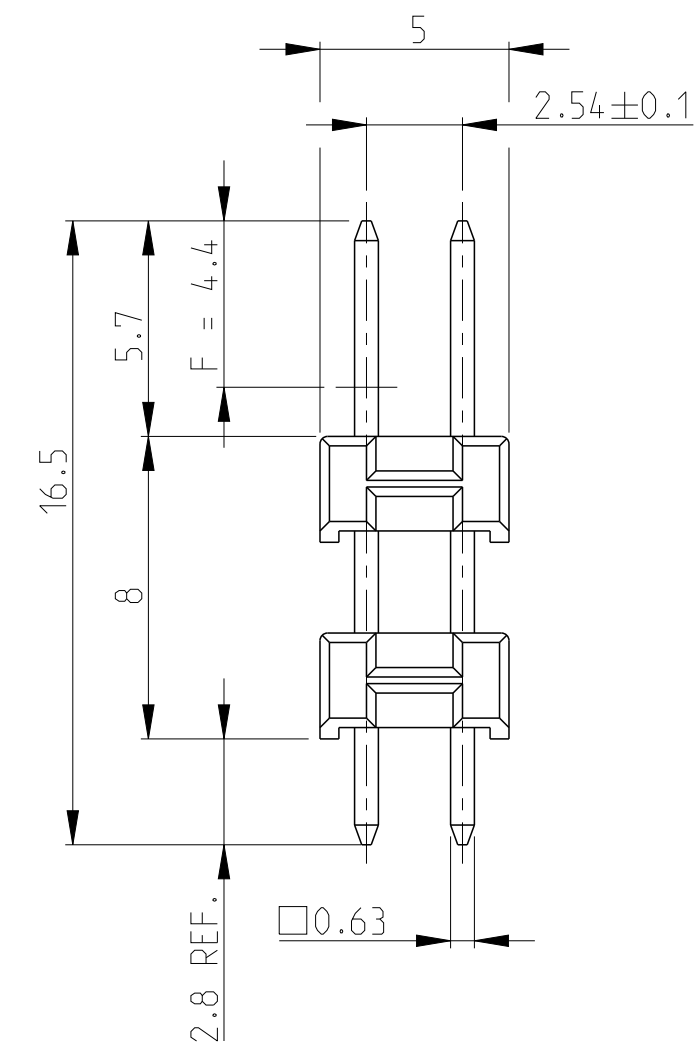
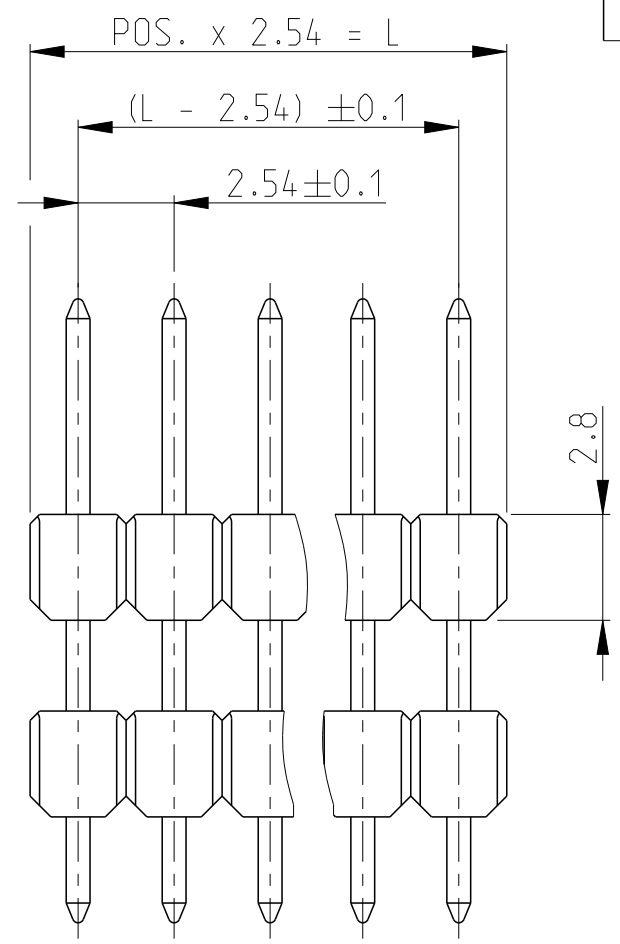


THIS DRAWING IS UNPUBLISHED. RELEASED FOR PUBLICATION 2007  
 © COPYRIGHT 2007 ALL RIGHTS RESERVED.

LOC	DIST	REVISIONS					
A1	-	P	LTR	DESCRIPTION	DATE	DWN	APVD
		D		CONTACT PIN MATERIAL AND PLATING CHANGE	21JUL2014	KJK	JK

POS. PER ROW	L +0.3 -0.6	PART NUMBER	POS. PER ROW	L +0.3 -0.6	PART NUMBER
-	2	827 988-1	-26	66.04	2- 827 988-6
2	5.08	827 988-2	-27	68.58	2- -7
3	7.62	3/3	-28	71.12	2- -8
4	10.16	4/3	-29	73.66	2- -9
5	12.70	-5	-30	76.20	3- -0
6	15.24	6/3	-31	78.74	3- -1
7	17.78	-7	-32	81.28	3- -2
8	20.32	8/4	-33	83.82	3- -3
9	22.86	9/3	-34	86.36	3- -4
10	25.40	1- 0/4	-35	88.90	3- -5
11	27.94	1- -1/3	-36	91.44	3- -6
12	30.48	1- -2	-37	93.98	3- -7
13	33.02	1- -3/3	-38	96.52	3- -8
14	35.56	1- -4/3	-39	99.06	3- -9
15	38.10	1- -5/4	-40	101.60	4- 0
16	40.64	1- -6/3	-41	104.14	4- -1
17	43.18	1- -7/3	-42	106.68	4- -2
18	45.72	1- -8/3	-43	109.22	4- -3
19	48.26	1- -9/3	-44	111.76	4- -4
20	50.80	2- 0/4	-45	114.30	4- -5
21	53.34	2- 1/3	-46	116.84	4- -6
22	55.88	2- 2/3	-47	119.38	4- -7
23	58.42	2- 3/3	-48	121.92	4- 8
24	60.96	2- 4/3	-49	124.46	4- -9
25	63.50	2-827 988-5/3	-50	127.00	5- 827 988-0

3 OBSOLETE

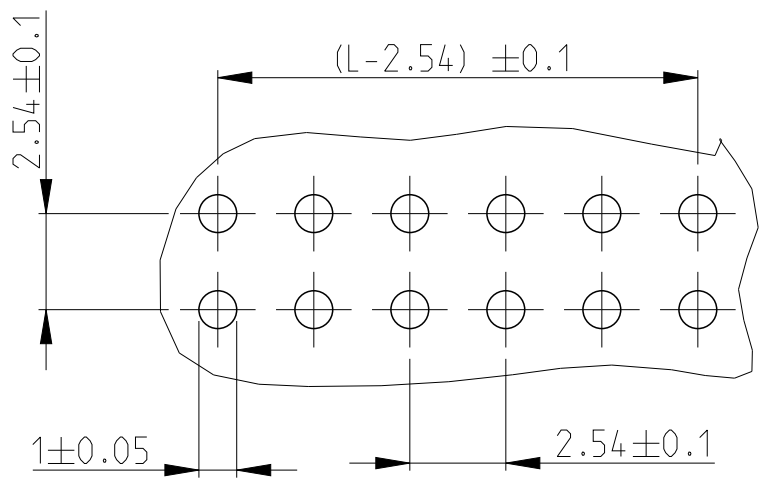


1 MATING SIDE: MIN. 0.7 µm PdNi + MIN. 0.1 µm GOLD FLASH BY AREA "F" OVER 1.27 µm NICKEL  
 SOLDER SIDE: MIN. 3 µm TIN OVER 1.27 µm NICKEL

2 827988-1 SUPERSEDED BY 2-827988-0

3 OBSOLETE PARTS: OBSOLETE CIS STREAMLINING PER D.RENAUD/D.SINISI

4 OBSOLETE



PC BOARD LAYOUT  
LEITERPLATTEN-  
ANSCHLUSSBILD

1	CuZn	CONTACT PIN KONTAKTSTIFT
COLOUR GREEN	PBT	PIN HOUSING STIFTGEHAEUSE
REMARK BEMERKUNG	MATERIAL	DESCRIPTION BEZEICHNUNG

THIS DRAWING IS A CONTROLLED DOCUMENT.		DWN G.HOLAUS 17 JUL 1989	TE Connectivity	
DIMENSIONS: mm		CHK M.SCHAARSCHMIDT -		
TOLERANCES UNLESS OTHERWISE SPECIFIED: ±0.2mm		APVD -	NAME	
0 PLC ±		PRODUCT SPEC	AMPMODU II	
1 PLC ±		108-18012	SPECIAL PIN HEADER DUAL ROW	
2 PLC ±		APPLICATION SPEC	SIZE A3	CAGE CODE 00779
3 PLC ±			DRAWING NO C-827988	RESTRICTED TO
4 PLC ±				
ANGLES ±		WEIGHT -		
FINISH SEE TABLE		CUSTOMER DRAWING	SCALE 5:1	SHEET 1 OF 1
				REV D

## X-ON Electronics

Largest Supplier of Electrical and Electronic Components

*Click to view similar products for [Headers & Wire Housings](#) category:*

*Click to view products by [TE Connectivity](#) manufacturer:*

Other Similar products are found below :

[892-18-020-10-001101](#) [58102-G61-06LF](#) [582553-1](#) [0009485154](#) [009176003701906](#) [0050291907](#) [LY20-4P-DT1-P1E-BR](#) [02.125.8002.8](#)  
[609-3404](#) [61062-3](#) [61082-181009](#) [622-3653LF](#) [63453-116](#) [636-1030](#) [636-1427](#) [636-3427](#) [636-4007](#) [641938-9](#) [641991-4](#) [644827-2](#) [65817-010LF](#) [65817-015LF](#) [65863-015LF](#) [66207-023LF](#) [67095-007LF](#) [67601157](#) [68645-018](#) [68648-049](#) [70.362.1628.0](#) [70-4210](#) [70-4226B](#) [70-4853B](#) [707-5020](#) [707-5028](#) [71.350.2428.0](#) [71918-208LF](#) [71961-016LF](#) [733-134](#) [733-162](#) [754199-000](#) [760-3052](#) [787-8014-00](#) [79531-3000](#)  
[FCN-360C032-B](#) [FCN-367T-T012/H](#) [FCN-723D010/2](#) [80.063.4001.1](#) [800-90-001-10-001000](#) [800-90-010-10-002000](#) [801-43-002-10-013000](#)