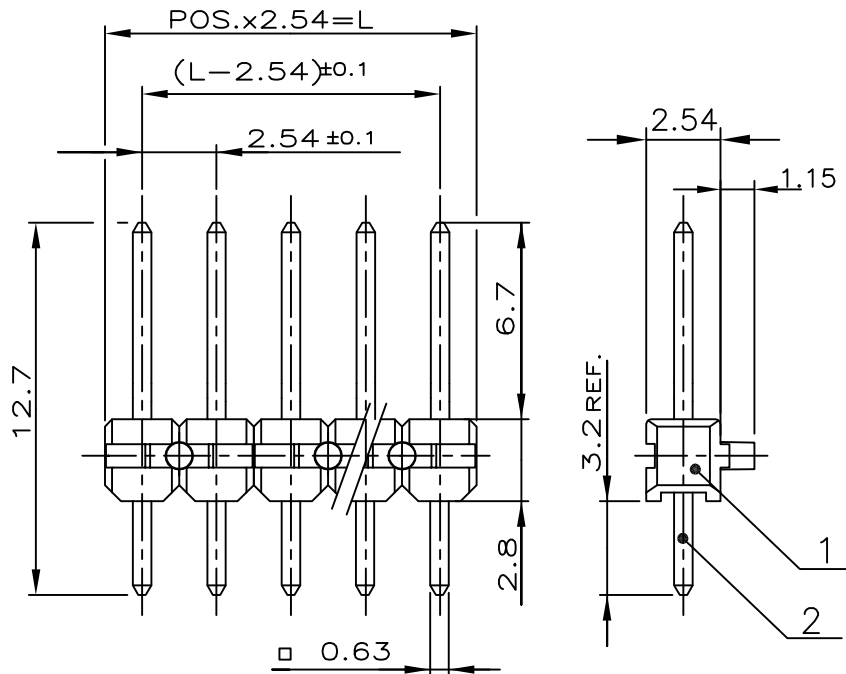


REVISIONS

P	LTR	DESCRIPTION	DATE	DWN	APVD
D		Contact pin material change from CuSn to CuZn	21SEP2017	KJK	PS

POS.	L±0.5	PART-NO.
-	-	-
2	5.08	-2
3	7.62	-3
4	10.16	-4
5	12.70	-5
6	15.24	-6
7	17.78	-7
8	20.32	-8
9	22.86	828 214 -9
10	25.40	1- -0
11	27.94	1- -1
12	30.48	1- -2
13	33.02	1- -3
14	35.56	1- -4
15	38.10	1- -5
16	40.64	1- -6
17	43.18	1- -7
18	45.72	1- -8
19	48.26	1- -9
20	50.80	2- -0
21	53.34	2- -1
22	55.88	2- -2
23	58.42	2- -3
24	60.96	2- -4
25	63.50	2- -5
26	66.04	2- -6
27	68.58	2- -7
28	71.12	2- -8
29	73.66	2- -9
30	76.20	3- -0
31	78.74	3- -1
32	81.28	3- -2
33	83.82	3- -3
34	86.36	3- -4
35	88.90	3- -5
36	91.44	3- -6
37	93.98	3- -7
38	96.52	3- -8
39	99.06	3- -9
40	101.60	4- -0
41	104.14	4- -1
42	106.68	4- -2
43	109.22	4- -3
44	111.76	4- -4
45	114.30	4- 828 214 -5
46	116.84	4- -6
47	119.38	4- -7
48	121.92	4- -8
49	124.46	4- -9
50	127.00	5- 828 214 -0



NOTES:

- ① MIN. 3.0μm TIN OVER 1.27μm NICKEL
- ② OBSOLETE

CONTACT PIN	①	CuZn	2
PIN HOUSING	GREEN	PBT	1
DESCRIPTION	COLOR/FINISH	MATERIAL	ITEM NO.

RELEASED FOR PUBLICATION

ALL RIGHTS RESERVED.

© COPYRIGHT - TE Connectivity

THIS DRAWING IS UNPUBLISHED.

DIMENSIONS: mm	DWN	R.FORELL	07.02.85	MATERIAL	SEE TABLE	FINISH	SEE NOTE 1
	CHK	M.SCHAARSCHMIDT	07.02.85	TE Connectivity			
TOLERANCES UNLESS OTHERWISE SPECIFIED: ±0.2 mm	APVD	G.FELDMEIER	25.02.92				
	PRODUCT SPEC	108-18012		SIZE	CAGE CODE	DRAWING NO	RESTRICTED TO
0 PLC ± -	APPLICATION SPEC	-		A4	00779	③= 828214	-
1 PLC ± -	WEIGHT	-		CUSTOMER DRAWING			SCALE
2 PLC ± -							4:1
3 PLC ± -							SHEET
4 PLC ± -							1 OF 1
ANGLES ± -							REV
							D

X-ON Electronics

Largest Supplier of Electrical and Electronic Components

Click to view similar products for [Headers & Wire Housings](#) category:

Click to view products by [TE Connectivity](#) manufacturer:

Other Similar products are found below :

[892-18-020-10-001101](#) [58102-G61-06LF](#) [582553-1](#) [0009485154](#) [009176003701906](#) [0050291907](#) [LY20-4P-DT1-P1E-BR](#) [02.125.8002.8](#)
[609-3404](#) [61062-3](#) [61082-181009](#) [622-3653LF](#) [63453-116](#) [636-1030](#) [636-1427](#) [636-3427](#) [636-4007](#) [641938-9](#) [641991-4](#) [644827-2](#) [65817-](#)
[010LF](#) [65817-015LF](#) [65863-015LF](#) [66207-023LF](#) [67095-007LF](#) [67601157](#) [68645-018](#) [68648-049](#) [70.362.1628.0](#) [70-4210](#) [70-4226B](#) [70-](#)
[4853B](#) [707-5020](#) [707-5028](#) [71.350.2428.0](#) [71918-208LF](#) [71961-016LF](#) [733-134](#) [733-162](#) [754199-000](#) [760-3052](#) [787-8014-00](#) [79531-3000](#)
[FCN-360C032-B](#) [FCN-367T-T012/H](#) [FCN-723D010/2](#) [80.063.4001.1](#) [800-90-001-10-001000](#) [800-90-010-10-002000](#) [801-43-002-10-013000](#)