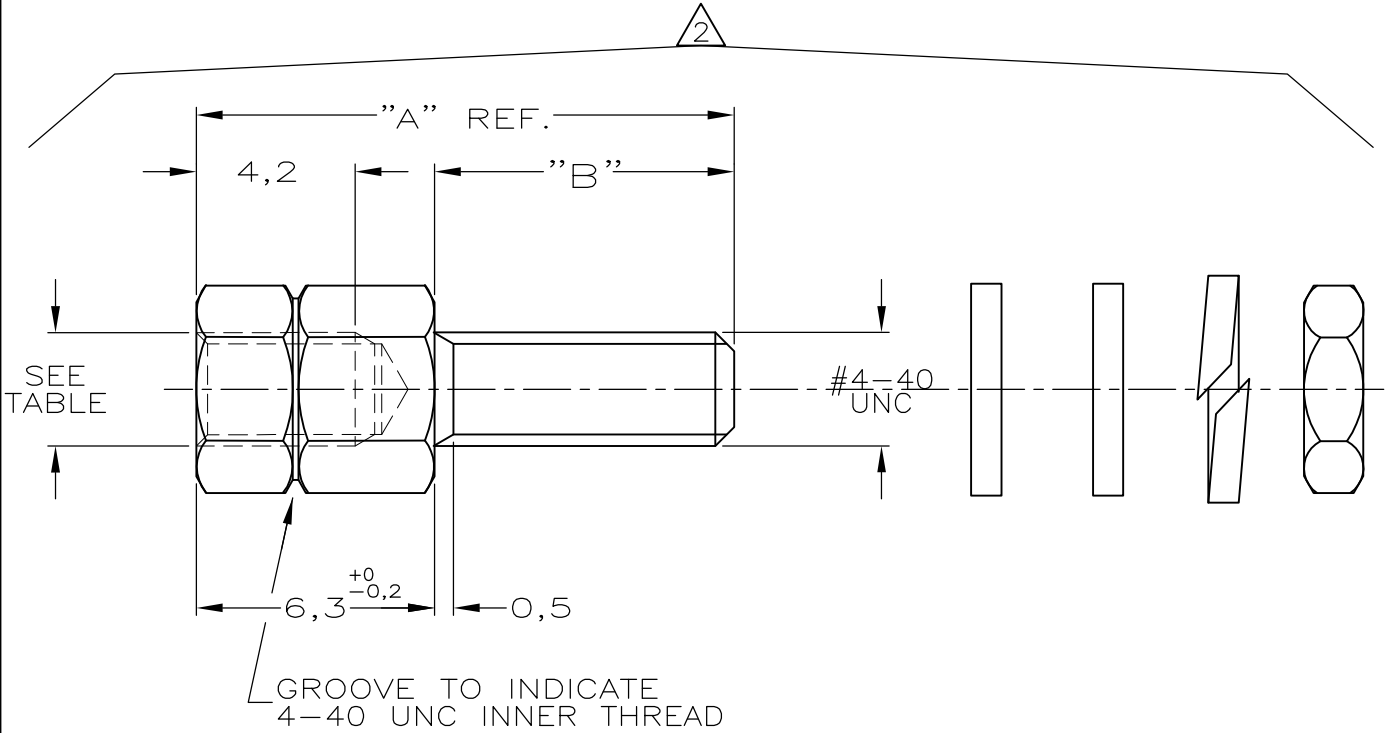


LOC	DIST	REVISIONS					
		P	LTR	DESCRIPTION	DATE	DWN	APVD
—	—		B	H-9720	21-04-92	S.M.	C.V.T.
			B1	REVISED PER ECO-09-023313	13OCT09	KK	AEG
			B2	ECR-10-026542	05JAN11	KK	HMR

NOTES:

- 1 PARTS PACKED UNASSEMBLED
- 2 THIS KIT CONTAINS TWO SCREWLOCK ASSEMBLIES.
- 3 FEMALE SCREWLOCK :BRASS
NUT AND RINGS :STEEL
- 4 OBSOLETE PARTS: OBSOLETE CIS STREAMLINING PER D.RENAUD/D.SINISI
- 5 OBSOLETE




M3	11,0	17,2	TINPLATED	BRASS	828347-6	4
4-40 UNC	11,0	17,2			828347-5	
M3	9,7	15,9			828347-4	5
M3	5,0	11,2			828347-3	4
4-40 UNC	9,7	15,9			828347-2	
4-40 UNC	5,0	11,2			828347-1	
THREAD	DIM "B"	DIM "A"	FINISH	MATERIAL	ORDERNUMBER	

RELEASED FOR PUBLICATION

ALL RIGHTS RESERVED.

THIS DRAWING IS UNPUBLISHED.

COPYRIGHT - By -

DIMENSIONS: mm	DWN	D.KESSLER.	02-04-91	MATERIAL	-	FINISH	-
	CHK	C.v.TILBURG.	23-04-91	 TE Connectivity			
TOLERANCES UNLESS OTHERWISE SPECIFIED:	APVD	L.v.SOEST.	25-04-91				
0 PLC ± -	PRODUCT SPEC		NAME				RESTRICTED TO
1 PLC ± -	-		AMPLITE,KIT,FEMALE				
2 PLC ± -	APPLICATION SPEC		SCREWLOCK ASSEMBLY				
3 PLC ± -	-		SIZE	CAGE CODE	DRAWING NO	-	
4 PLC ± -	-		A4	00779	C-828347	-	
ANGLES ± -	WEIGHT		-				
CUSTOMER DRAWING			SCALE	-	SHEET	1 OF 1	REV B2

X-ON Electronics

Largest Supplier of Electrical and Electronic Components

Click to view similar products for [D-Sub Tools & Hardware](#) category:

Click to view products by [TE Connectivity](#) manufacturer:

Other Similar products are found below :

[173112-0667](#) [173112-0759](#) [173112-0967](#) [173112-0291](#) [173112-0456](#) [000-01-09-132](#) [000-01-21-132](#) [000-01-31-162](#) [572019-00105-70](#)
[000-01-37-162](#) [621-250-113-115](#) [D20418-2R](#) [D20418-J3F](#) [70521CLF](#) [70524BLF](#) [70527BLF](#) [70527CLF](#) [F1042-1PLAH](#) [750643-1](#) [780-010-06G4-00C](#) [780-518-50SG6-WS](#) [863004ATLF](#) [86552009](#) [86553115TLF](#) [86553117TLF](#) [86553156LF](#) [FSGK1/5](#) [980-8554-000](#) [980-8555-000](#)
[980-8557-000](#) [980-8558-000](#) [1230032-1](#) [1-5021101-2](#) [15-000050](#) [1589283-4](#) [160-000-005R031](#) [16-000230](#) [160-020-109R000](#) [160-025-004R031](#) [160-015-003R031](#) [160-020-209R000](#) [160X10909X](#) [164C03939A](#) [177-505-A-2-2](#) [177-505-C-4-4](#) [179-013-1H](#) [1-966830-8](#) [21018-621028-3](#) [213622-5](#)