

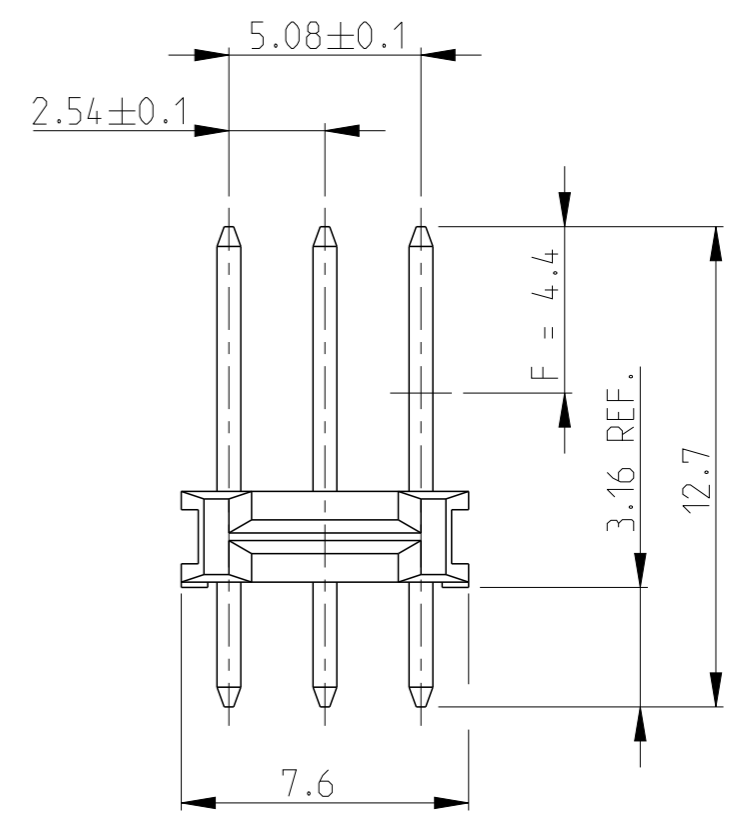
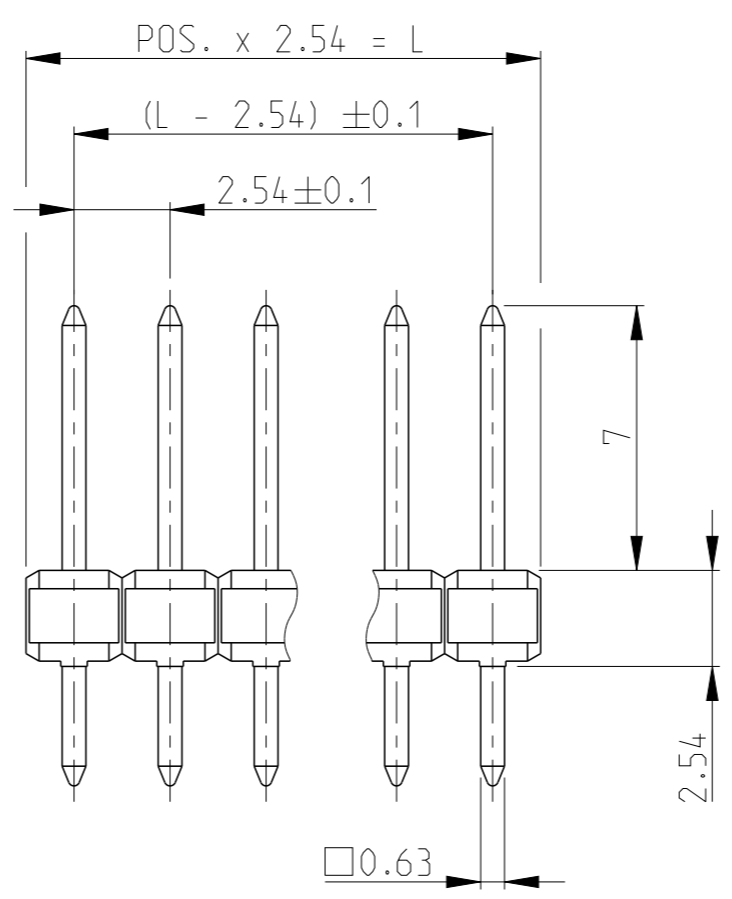
THIS DRAWING IS UNPUBLISHED. RELEASED FOR PUBLICATION 2007  
 © COPYRIGHT 2007 ALL RIGHTS RESERVED.

LOC	DIST	REVISIONS			
P	LTR	DESCRIPTION	DATE	DWN	APVD
A1	-	C	CONTACT PIN MATERIAL AND PLATING CHANGE	18JUL2014	KJK JK

POS. PER ROW	L +0.3 -0.6	PART NUMBER	POS. PER ROW	L +0.3 -0.6	PART NUMBER
-	-	-	26	66.04	2-829 492-6
2	5.08	829 492-2	27	68.58	2-7
3	7.62	-3	28	71.12	2-8
4	10.16	-4	29	73.66	2-9
5	12.70	-5	30	76.20	3-0
6	15.24	-6	31	78.74	3-1
7	17.78	-7	32	81.28	3-2
8	20.32	-8	33	83.82	3-3
9	22.86	-9	34	86.36	3-4
10	25.40	-0	35	88.90	3-5
11	27.94	-1	36	91.44	3-6
12	30.48	-2	37	93.98	3-7
13	33.02	-3	38	96.52	3-8
14	35.56	-4	39	99.06	3-9
15	38.10	-5	40	101.60	4-0
16	40.64	-6	41	104.14	4-1
17	43.18	-7	42	106.68	4-2
18	45.72	-8	43	109.22	4-3
19	48.26	-9	44	111.76	4-4
20	50.80	-0	45	114.30	4-5
21	53.34	-1	46	116.84	4-6
22	55.88	-2	47	119.38	4-7
23	58.42	-3	48	121.92	4-8
24	60.96	-4	49	124.46	4-9
25	63.50	829 492-5	50	127.00	5-829 492-0

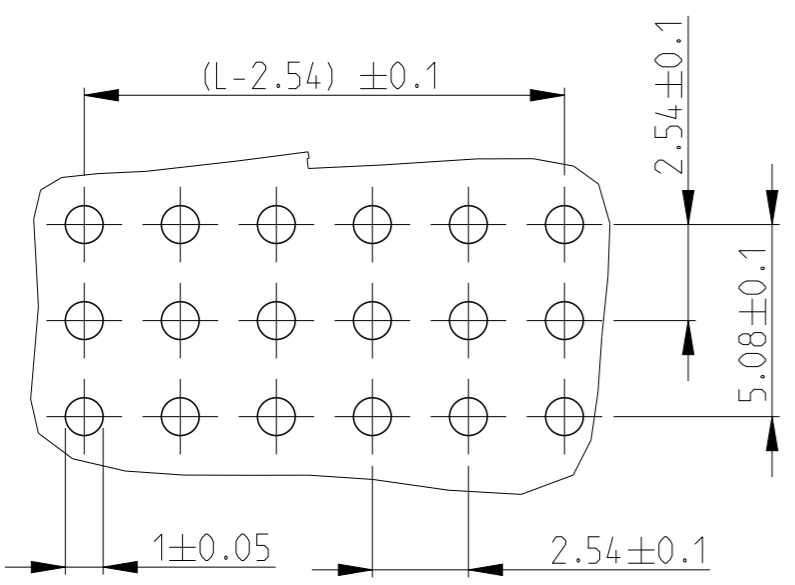
OBSOLETE

OBSOLETE



1 MATING SIDE: MIN. 0.7 μm PdNi + MIN. 0.1 μm GOLD FLASH BY AREA "F" OVER 1.27 μm NICKEL  
 SOLDER SIDE: MIN. 3.0 μm TIN OVER 1.27 μm NICKEL

2 OBSOLETE PARTS: OBSOLETE CIS STREAMLINING PER D.RENAUD/D.SINISI  
 3 OBSOLETE



PC BOARD LAYOUT LEITERPLATTEN-ANSCHLUSSBILD

1	CuZn	CONTACT PIN KONTAKTSTIFT
COLOUR BLACK	PCT	PIN HOUSING STIFTGEHAEUSE
REMARK BEMERKUNG	MATERIAL	DESCRIPTION BEZEICHNUNG

THIS DRAWING IS A CONTROLLED DOCUMENT.

DWN F.MUELLER 06NOV1989	NAME	AMPMODU II PIN HEADER TRIPLE ROW			
CHK M.SCHAARSCHMIDT 06NOV1989					
APVD -	PRODUCT SPEC 108-18012	SIZE A3	CAGE CODE 00779	DRAWING NO C-829492	RESTRICTED TO -
MATERIAL SEE TABLE	FINISH SEE TABLE	WEIGHT -	SCALE 5:1		SHEET 1 OF 1
CUSTOMER DRAWING		REV C			

## X-ON Electronics

Largest Supplier of Electrical and Electronic Components

*Click to view similar products for [Headers & Wire Housings](#) category:*

*Click to view products by [TE Connectivity](#) manufacturer:*

Other Similar products are found below :

[892-18-020-10-001101](#) [58102-G61-06LF](#) [582553-1](#) [0009485154](#) [009176003701906](#) [0050291907](#) [LY20-4P-DT1-P1E-BR](#) [02.125.8002.8](#)  
[609-3404](#) [61062-3](#) [61082-181009](#) [622-3653LF](#) [63453-116](#) [636-1030](#) [636-1427](#) [636-3427](#) [636-4007](#) [641938-9](#) [641991-4](#) [644827-2](#) [65817-](#)  
[010LF](#) [65817-015LF](#) [65863-015LF](#) [66207-023LF](#) [67095-007LF](#) [67601157](#) [68645-018](#) [68648-049](#) [70.362.1628.0](#) [70-4210](#) [70-4226B](#) [70-](#)  
[4853B](#) [707-5020](#) [707-5028](#) [71.350.2428.0](#) [71918-208LF](#) [71961-016LF](#) [733-134](#) [733-162](#) [754199-000](#) [760-3052](#) [787-8014-00](#) [79531-3000](#)  
[FCN-360C032-B](#) [FCN-367T-T012/H](#) [FCN-723D010/2](#) [80.063.4001.1](#) [800-90-001-10-001000](#) [800-90-010-10-002000](#) [801-43-002-10-013000](#)