

THIS DRAWING IS UNPUBLISHED.

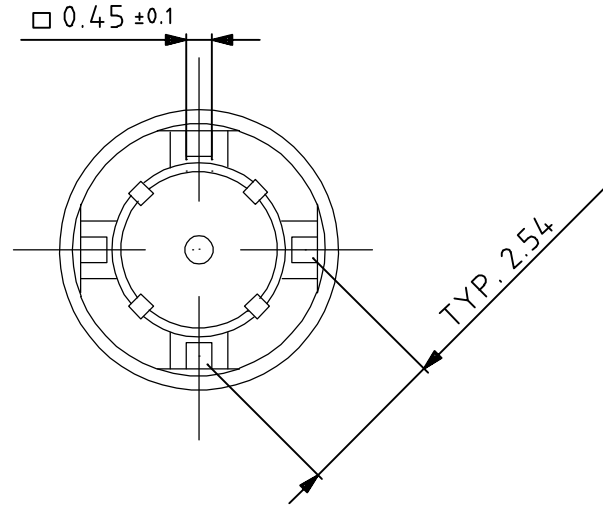
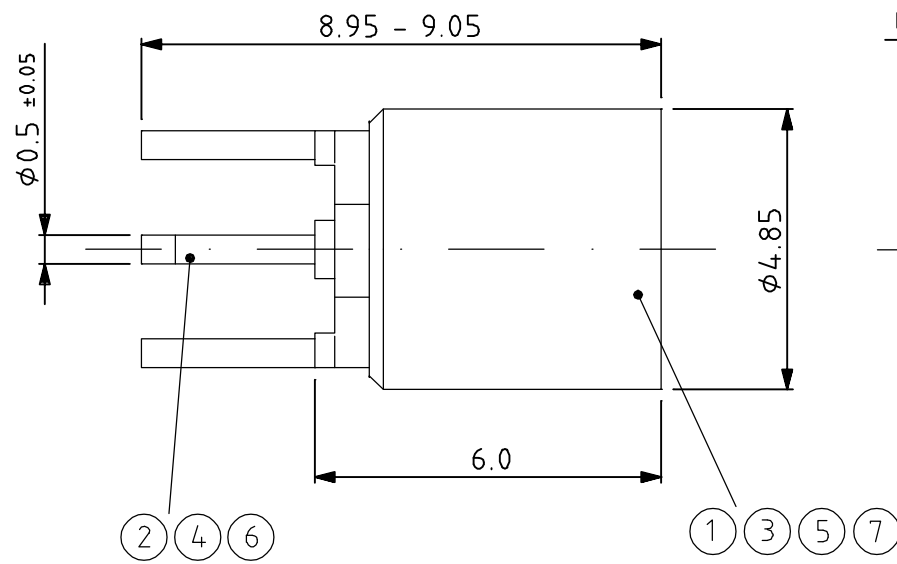
RELEASED FOR PUBLICATION

© COPYRIGHT - BY TYCO ELECTRONICS CORPORATION. ALL RIGHTS RESERVED.

LOC EK DIST 00

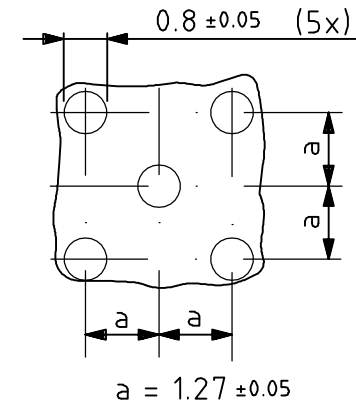
REVISIONS

P	LTR	DESCRIPTION	DATE	DWN	APVD
	G	REVISED PER EC OS14-0457-04	03NOV05	TS	JL



LEITERPLATTENBOHRBILD

PC-BOARD LAYOUT



1 KOAX STECKVERBINDER NACH CECC 22220
COAX CONNECTOR COMPLIES WITH SPEC. CECC 22220

2 KOAX - KUPPLER (POS. 1,3,5,7) MONTIERT
MIT BUCHSENKONTAKT (POS. 2,4,6)
IM PLASTIKBEUTEL VERPACKT

COAX JACK (POS. 1,3,5,7) ASSEMBLED
WITH FEMALE CONTACT (POS. 2,4,6)
PACKED IN PLASTIC BAG

3 VERGOLDET 112-162-5; 1.3µm MIN DICKE ÜBER
Ni 112-25-2; 2.0µm MIN - 4.0µm MAX DICKE

GOLD PL. 112-162-5; 1.3µm MIN THK OVER
Ni PL. 112-25-2; 2.0µm MIN - 4.0µm MAX THK

4 VERGOLDET 112-162-5; 0.8µm MIN DICKE ÜBER
Ni 112-25-2; 2.0µm MIN - 4.0µm MAX DICKE

GOLD PL. 112-162-5; 0.8µm MIN THK OVER
Ni PL. 112-25-2; 2.0µm MIN - 4.0µm MAX THK

5 GLANZZINN NACH AMP SPEZ.112-26-1;NOM. 8µm
DICK ÜBER NICKEL NACH AMP SPEZ.112-25-2;
2.0µm MIN.-4.0µm MAX. DICKE.

BRIGHT TIN PL.PER AMP SPEC.112-26-1;NOM. 8µm
THK OVER NIPL.PER AMP SPEC.112-25-2;
2.0µm MIN.-4.0µm MAX. THK.

6 BUCHSENKONTAKT : MATERIAL Cu Be / PHOSPHORBRONCE
FEMALE CONTACT : MATERIAL Cu Be / PHOSPHORBRONCE

7 VERGOLDET 0.1-0.2µm DICKE ÜBER
NOM. 4.0µm Ni P DICKE

0.1-0.2µm Au OVER NOM.
4.0µm Ni P PLATING

OBSOLETE	—829559-4—	—6	1	BUCHSENKONT./FEMALE CONTACT	6	4
		—7	1	KUPPLER/JACK	Cu Zn	7
	829559-3	6	1	BUCHSENKONT./FEMALE CONTACT	6	4
		5	1	KUPPLER/JACK	Cu Zn	5
	829559-2	4	1	BUCHSENKONT./FEMALE CONTACT	6	7
		3	1	KUPPLER/JACK	Cu Zn	7
	829559-1	2	1	BUCHSENKONT./FEMALE CONTACT	6	3
		1	1	KUPPLER/JACK	Cu Zn	4
BESTELL-NR. PART-NO.	POS. ITEM-NO.	STÜCK PIECES	BENENNUNG EINZELTEIL DESCRIPTION		WERKSTOFF MATERIAL	OBERFLÄCHE PLATING FARBE/COLOUR

THIS DRAWING IS A CONTROLLED DOCUMENT.		DWN ZANDER	09JAN90	Tyco Electronics Corporation Harrisburg, PA 17105-3608											
DIMENSIONS: mm		CHK —	—												
TOLERANCES UNLESS OTHERWISE SPECIFIED:		APVD FISCHER	09JAN90	NAME SERIES MCX, JACK FOR PCB (PITCH 2.54 mm)											
<table border="1"> <tr><td>0 PLC</td><td>± -</td></tr> <tr><td>1 PLC</td><td>± -</td></tr> <tr><td>2 PLC</td><td>± 0.15</td></tr> <tr><td>3 PLC</td><td>± -</td></tr> <tr><td>4 PLC</td><td>± -</td></tr> <tr><td>ANGLES</td><td>± 1°</td></tr> </table>		0 PLC	± -			1 PLC	± -	2 PLC	± 0.15	3 PLC	± -	4 PLC	± -	ANGLES	± 1°
0 PLC	± -														
1 PLC	± -														
2 PLC	± 0.15														
3 PLC	± -														
4 PLC	± -														
ANGLES	± 1°														
MATERIAL SEE TABLE		FINISH —	—	APPLICATION SPEC —	—										
		WEIGHT —	—	SIZE A3	CAGE CODE 00779										
		CUSTOMER DRAWING		DRAWING NO G-829559	RESTRICTED TO —										
		SCALE 10:1		SHEET 1 of 1	REV G										

X-ON Electronics

Largest Supplier of Electrical and Electronic Components

Click to view similar products for [RF Connectors / Coaxial Connectors](#) category:

Click to view products by [TE Connectivity](#) manufacturer:

Other Similar products are found below :

[8915-1511-000](#) [89674-0827](#) [6001-7071-019](#) [6002-7051-003](#) [6002-7551-202](#) [6059674-1](#) [619550-1](#) [630059-000](#) [M39030/3-01N](#) [6500-7071-046](#) [6769](#) [CX050L2AQ](#) [7002-1541-010](#) [7002-1542-011](#) [7004-1512-000](#) [7009-1511-004](#) [7010-1511-000](#) [7029-1511-060](#) [7101-1541-010](#) [7101-1571-002](#) [7105-1521-002](#) [7145-1521-002](#) [7203-1571-003](#) [7209-1511-011](#) [7210-1511-015](#) [7210-1511-019](#) [73137-5015](#) [73216-2241](#) [73404-2300](#) [7405-1521-005](#) [7405-1521-802](#) [8527](#) [8547](#) [FS11V](#) [877931](#) [9049-9513-000](#) [9074-9513-000](#) [9101-9573-002](#) [910A205F](#) [9130-9573-002](#) [PL11SC-026](#) [PL375-33](#) [PL40-5](#) [PL74C-221](#) [PL75MC-217](#) [PL803-7](#) [1200690078](#) [1-201144-1](#) [R107003010W](#) [R110A172100](#)