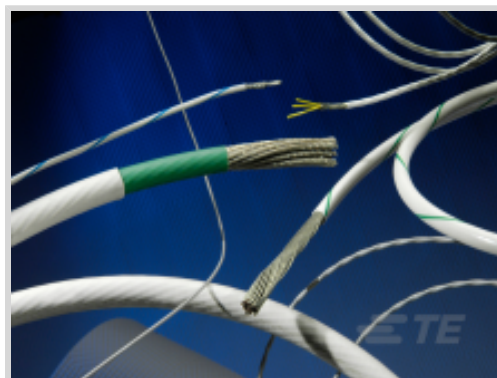




Wire & Cable > Power Cable



Cable Type: **Power**

Number of Strands: **1665**

Strand Size: **36 AWG**

Voltage Rating: **600 VAC**

Insulation Material: **Radiation-Crosslinked, Modified Flexible ETFE**

Features

Product Type Features

| | |
|------------------------|---------------------------|
| Cable Type | Power |
| Cable Insulation Style | Double |
| Cable Style | Primary |
| Wall Type | Single |
| Product Type | Wire |
| Product Classification | Wire - Spec 80 (FlexLine) |

Configuration Features

| | |
|----------------------|------|
| Number of Strands | 1665 |
| Number of Conductors | 1 |

Electrical Characteristics

| | |
|----------------|---------|
| Voltage Rating | 600 VAC |
|----------------|---------|

Body Features

| | |
|---------------------|---|
| Conductor Stranding | High Strand Count Conductor |
| Insulation Material | Radiation-Crosslinked, Modified Flexible ETFE |
| Jacket Material | Radiation-Crosslinked, Modified Flexible ETFE |
| Jacket Color | White |
| Wire Color | WT |

| | |
|--------------------|-------------------|
| Conductor Material | Tin-Plated Copper |
|--------------------|-------------------|

Dimensions

| | |
|-------------|----------------------|
| Length | 50 ft |
| Strand Size | 36 AWG |
| Wire Size | 21.2 mm ² |
| | .359 in |

Usage Conditions

| | |
|-----------------------------|--------------|
| Operating Temperature Range | -65 – 150 °C |
|-----------------------------|--------------|

Operation/Application

| | |
|------------|---------------|
| Wire Class | Medium Weight |
|------------|---------------|

Packaging Features

| | |
|------------------|------|
| Packaging Method | Reel |
|------------------|------|

Product Compliance

[For compliance documentation, visit the product page on TE.com>](#)

| | |
|---|--|
| EU RoHS Directive 2011/65/EU | Compliant |
| EU ELV Directive 2000/53/EC | Compliant |
| China RoHS 2 Directive MIIT Order No 32, 2016 | No Restricted Materials Above Threshold |
| EU REACH Regulation (EC) No. 1907/2006 | Current ECHA Candidate List: JAN 2019 (197) Candidate List Declared Against: JAN 2019 (197) |
| Halogen Content | Out of Scope - excluded from Halogen requirements |
| Solder Process Capability | Not applicable for solder process capability |

Product Compliance Disclaimer

This information is provided based on reasonable inquiry of our suppliers and represents our current actual knowledge based on the information they provided. This information is subject to change. The part numbers that TE has identified as EU RoHS compliant have a maximum concentration of 0.1% by weight in homogenous materials for lead, hexavalent chromium, mercury, PBB, PBDE, DBP, BBP, DEHP, DIBP, and 0.01% for cadmium, or qualify for an exemption to these limits as defined in the Annexes of Directive 2011/65/EU (RoHS2). Finished electrical and electronic equipment products will be CE marked as required by Directive 2011/65/EU. Components may not be CE marked. Additionally, the part numbers that TE has identified as EU ELV compliant have a maximum concentration of 0.1% by weight in homogenous materials for lead, hexavalent chromium, and mercury, and 0.01% for cadmium, or qualify for an exemption to these limits as defined in the Annexes of Directive 2000/53/EC (ELV). Regarding the REACH Regulations, TE's information on SVHC in articles for this part number is still based on the European Chemical Agency (ECHA) 'Guidance on requirements for substances in articles' (Version: 2, April 2011), applying the 0.1% weight on weight concentration threshold at the finished product level. TE is aware of the European Court of Justice ruling of September 10th, 2015 also known as O5A (Once An Article Always An Article) stating that, in case of 'complex object', the threshold for a SVHC must be applied to both the

product as a whole and simultaneously to each of the articles forming part of its composition. TE has evaluated this ruling based on the new ECHA "Guidance on requirements for substances in articles" (June 2017, version 4.0) and will be updating its statements accordingly.

Also in the Series | Raychem 82 Series



Aluminum Wire & Cable(4)

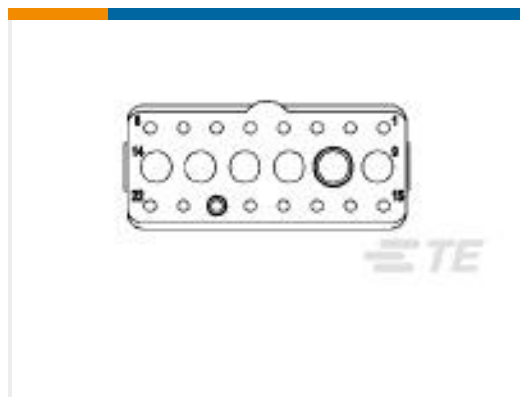


Power Cable(33)

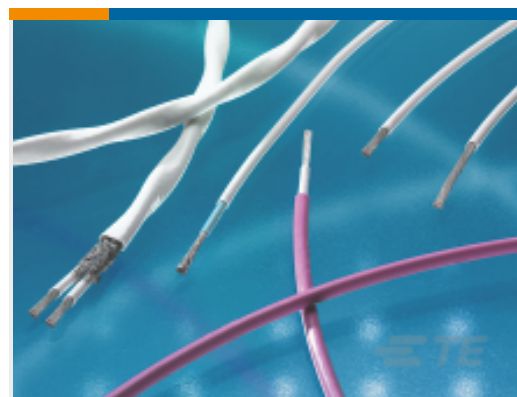
Customers Also Bought



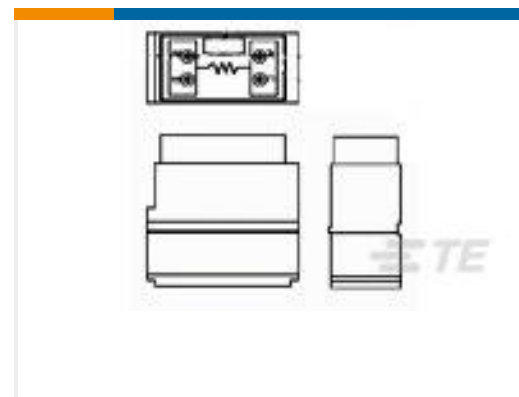
TE Part #
YACT26MC98PDV00100
STRAIGHT PLUG



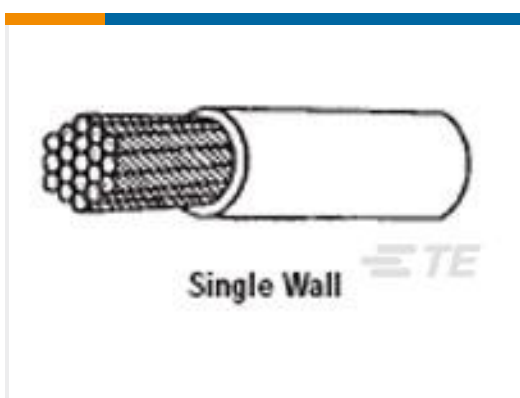
TE Part #1738149-1
Insert Asy,Socket,
GPRBE22SA



TE Part #EM3179-000
55A0132-16-0/5/9



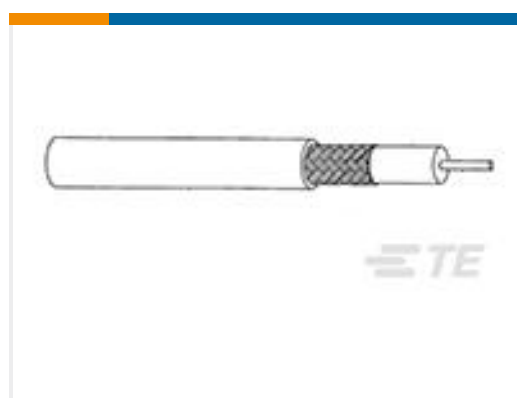
TE Part #591813-3
TERM JCT,F/B 20 E



TE Part #951461-000
82A0811-2-9



TE Part #015711-000
82A5121-10-0/9-9



TE Part #761349-000
9530J1424-9X



TE Part #
YACT20MC35PDV00100
SQUARE FLANGE
RECEPTACLE



TE Part #
YACT20MG35PBV00100
SQUARE FLANGE
RECEPTACLE



TE Part #1617168-9
JMSCT-26XLS = M28776/3-
046L

Documents

Product Drawings

82A0811-4-9

English



Product Specifications

Product Specification

English

X-ON Electronics

Largest Supplier of Electrical and Electronic Components

Click to view similar products for [TE Connectivity](#) manufacturer:

Other Similar products are found below :

[0-0031894-0](#) [0-0035108-0](#) [000413-000](#) [000581-000](#) [000691-000](#) [0007-008-100](#) [0007-008-100L](#) [000859-000](#) [000W280-TAPE](#) [001119-000](#)
[0012450001](#) [0-0130008-0](#) [0-0130171-0](#) [0-0130532-0](#) [001349-000](#) [001415-000](#) [0-0160298-0](#) [0016072001](#) [0-0163086-2](#) [0-0164164-1](#) [0-](#)
[0165034-0](#) [0-0169341-1](#) [001839-000](#) [001885-000](#) [002071-000](#) [0022E0111-9](#) [002308-000](#) [002333-000](#) [0024A0021-9X](#) [0024A0021-9X-L353](#)
[0024A0024-9X](#) [0024B0311-9](#) [0024F2424-6X](#) [0024G0024-9X](#) [0024K0214-9](#) [0024T0024-N\(LM\)](#) [0025-136-000](#) [0025-256-3014](#) [0025-258-](#)
[000](#) [0025-264-3014](#) [0025-264-542](#) [002615-000](#) [002648-000](#) [0026A0024-9X](#) [002801-000](#) [002A011-3-0](#) [003-018-000](#) [003-0268-0001](#) [0-](#)
[0320562-0](#) [0-0321045-0](#)