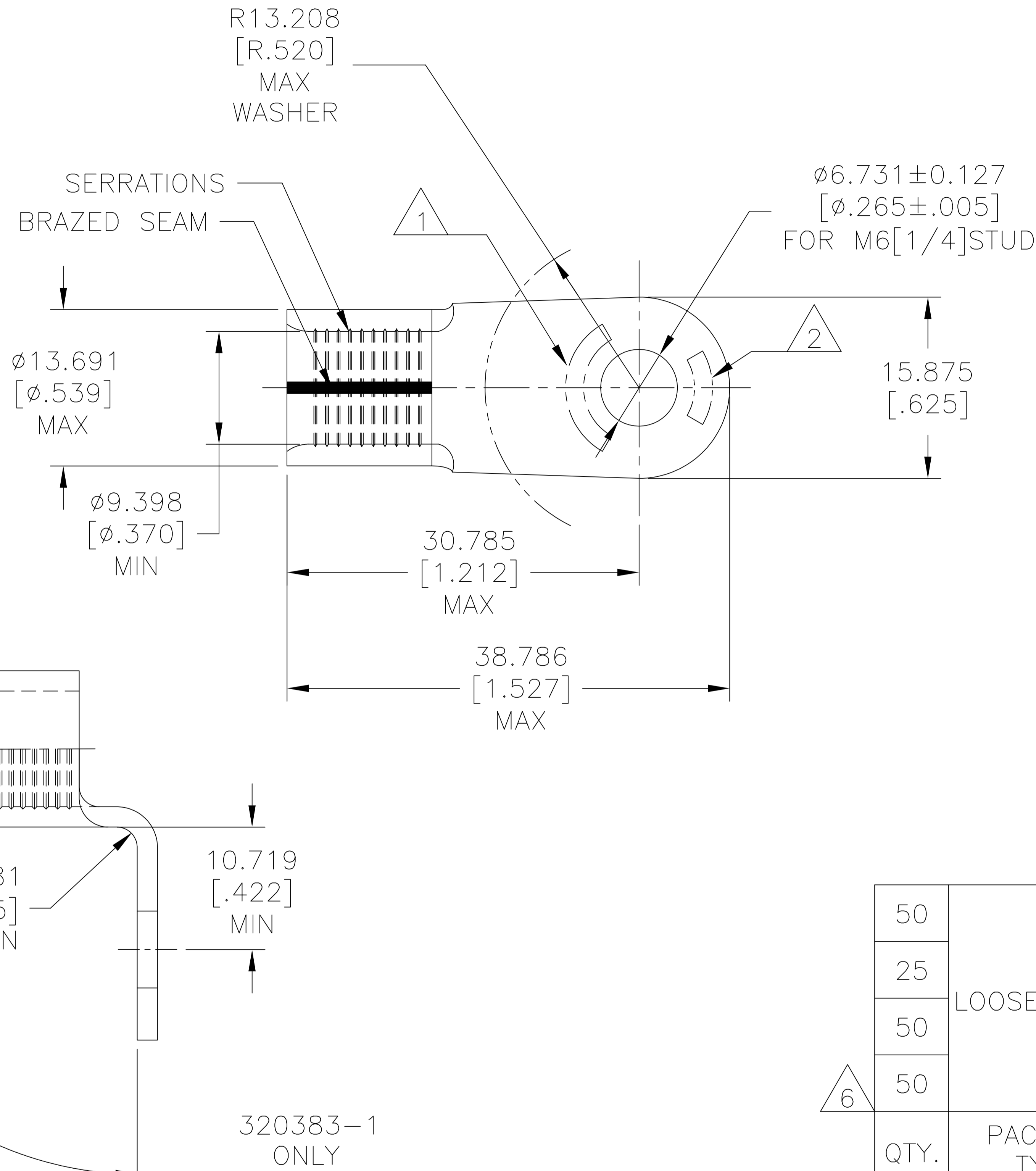


P	LTR	DESCRIPTION	DATE	DWN	APVD
J4		REVISED PER ECO-17-004098	24MAR2017	RS	DR
J5		REVISED PER ECO-17-016544	14NOV2017	RS	DR
J6		REVISED PER ECO-18-001069	24JAN2018	RS	DR



AMP WIRE RANGE	E13288 Listed
2 AWG SOLID OR STRANDED	2 AWG STRANDED
LR7189 Certified	MILITARY P/N AND CLASS
2 AWG SOLID OR STRANDED	MS 20659-113 CLASS 2

- STAMP AMP 2W* APPROX AS SHOWN.
- STAMP 60-75 APPROX AS SHOWN.
- 3 MATERIAL THK: 1.778±0.076[.070±.003].
- TIN PL 0.00254[.000100] MIN THK PER ASTM B545.
- GOLD PLATE 0.00127[.000050] MIN. EXT. THK. PER MIL-G-45204 OVER NICKEL PLATE 0.00076 [0.000030] MIN. EXT. THK. PER SAE AMS QQ-N-290.

QTY.	PACKAGE TYPE	TEMPERATURE RATING	FINISH	PART NO
50	LOOSE PIECE	260°C [500°F] MAX		2-320383-1
25		170°C [338°F] MAX		8-320383-3
50				320383-1
50		170°C [338°F] MAX		320383

AMP INCORPORATED
CUSTOMER SERVICE SYSTEMS

FOR ADDITIONAL PRODUCT INFORMATION OR COPIES OF DRAWINGS AND TECHNICAL DOCUMENTS
PRODUCT INFORMATION CENTER
1-800-522-6752

FOR APPLICATION TOOLING INFORMATION
TOOLING ASSISTANCE CENTER
1-800-722-1111

FOR ORDER ENTRY
1-800-526-5142

MAX RECOMMENDED OPERATING TEMPERATURE:
SEE TABLE

VOLTAGE RATING:
NOT APPLICABLE

WIRE CROSS SECTIONAL AREA RANGE:
26.7-42.4mm² [52,600-83,700] CIR MILS
SOLID OR STRANDED

THIS DRAWING IS A CONTROLLED DOCUMENT.

DIMENSIONS:
mm [INCHES]

TOLERANCES UNLESS OTHERWISE SPECIFIED:
0 PLC ± -
1 PLC ± -
2 PLC ± -
3 PLC ± 0.127[.005]
4 PLC ± -
ANGLES ± -

MATERIAL
COPPER PER ASTM B-152 ANNEALED

FINISH
SEE TABLE

DWN DK SCHRUM 5/24/93
CHK RD HEIM 1/27/94
APVD RE ROSER 1/27/94

STE TE Connectivity Ltd.

NAME
TERMINAL, RING TONGUE,
SOLISTRAND™
2 AWG

APPLICATION SPEC
UL 486/ SAE AS7928

WEIGHT
A3 - C=320383

SCALE 2:1 SHEET 1 OF 1 REV J6

X-ON Electronics

Largest Supplier of Electrical and Electronic Components

Click to view similar products for [Terminals](#) category:

Click to view products by [TE Connectivity](#) manufacturer:

Other Similar products are found below :

[00-054007-01074-6](#) [00-054007-70206-1](#) [00-054007-70210-8](#) [00-054007-70217-7](#) [00-054007-70226-9](#) [00-054007-70228-3](#) [00-054007-70248-1](#) [00-054007-70256-6](#) [00-054007-70301-3](#) [00-054007-70316-7](#) [0-0320562-0](#) [00-054007-49560-4](#) [00-054007-70209-2](#) [00-054007-70225-2](#) [00-054007-70227-6](#) [00-054007-70231-3](#) [00-054007-70241-2](#) [00-054007-70242-9](#) [00-054007-70244-3](#) [00-054007-70246-7](#) [00-054007-70263-4](#) [00-054007-70288-7](#) [00-054007-70290-0](#) [00-054007-70300-6](#) [00-054007-70304-4](#) [01-2065-1-0216](#) [01-2900-1-04412](#) [00581P0075](#) [600TS-10](#) [60205-1](#) [604200-1](#) [605601-1](#) [60598-1-CUT-TAPE](#) [61314-6-C](#) [61810-3](#) [61-S](#) [61-SN](#) [626-0194](#) [62-NBM-A](#) [62-SN](#) [62-SP](#) [63-S](#) [640179-1](#) [M55155/059I03](#) [M55155/079C01](#) [M55155/099H02](#) [M55155/109H01](#) [M55155/109H02](#) [M55155/12XH05](#) [M55155/16XH02](#)